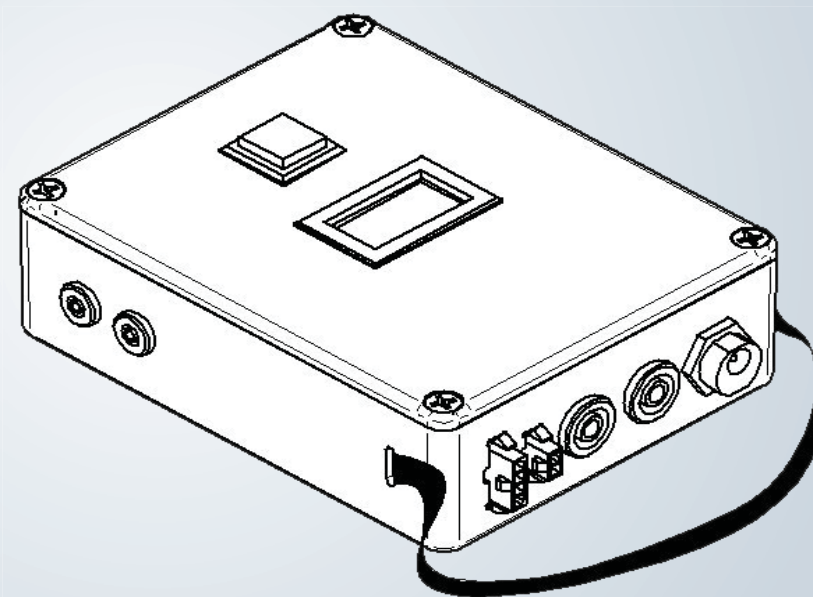

ECS Voltmeter

Troubleshooting Instruction

(For Internal Use Only)

ARJOHUNTLEIGH
GETINGE GROUP



Contents

Foreword	3
Intended Use	4
Parts Designation	5
How to use the ECS Voltmeter	6

Design Policy and Copyright

® and ™ are trademarks belonging to the ArjoHuntleigh group of companies.

© ArjoHuntleigh 2016.

As our policy is one of continuous improvement, we reserve the right to modify designs without prior notice. The content of this publication may not be copied either whole or in part without the consent of ArjoHuntleigh.

Foreword

Please contact us if you have any questions about the operation or maintenance of your ArjoHuntleigh equipment.

Please read and fully understand these *Troubleshooting Instruction* before using your *ECS Voltmeter*.

Information in this *Troubleshooting Instruction* is necessary to perform the proper operation and maintenance of the equipment. It will help to protect your product and make sure that the equipment performs to your satisfaction. The information in this *Troubleshooting Instruction* is important for your safety and must be read and understood to help prevent possible injury.

Unauthorized modifications on any ArjoHuntleigh equipment can affect safety. ArjoHuntleigh will not be held responsible for any accidents, incidents or lack of performance that occur as a result of any unauthorized modification to its products.

Definitions in this *Troubleshooting Instruction*

WARNING

Means: Safety warning. Failure to understand and obey this warning may result in injury to you or to others.

NOTE

Means: This is important information for the correct use of this system or equipment.



Means: The name and address of the manufacturer.

Intended Use

This equipment must be used in accordance with these safety instructions. Anyone using this equipment must also have read and understood the instructions in these Troubleshooting Instruction.

If there is anything you do not completely understand, ask your ArjoHuntleigh representative.

The *ECS Voltmeter* is a troubleshooting tool to help you find power loss in the ECS system. It uses the ECS battery charger current to operate.

WARNING

To avoid injury, **NEVER** use this tool for other voltage measuring purpose.

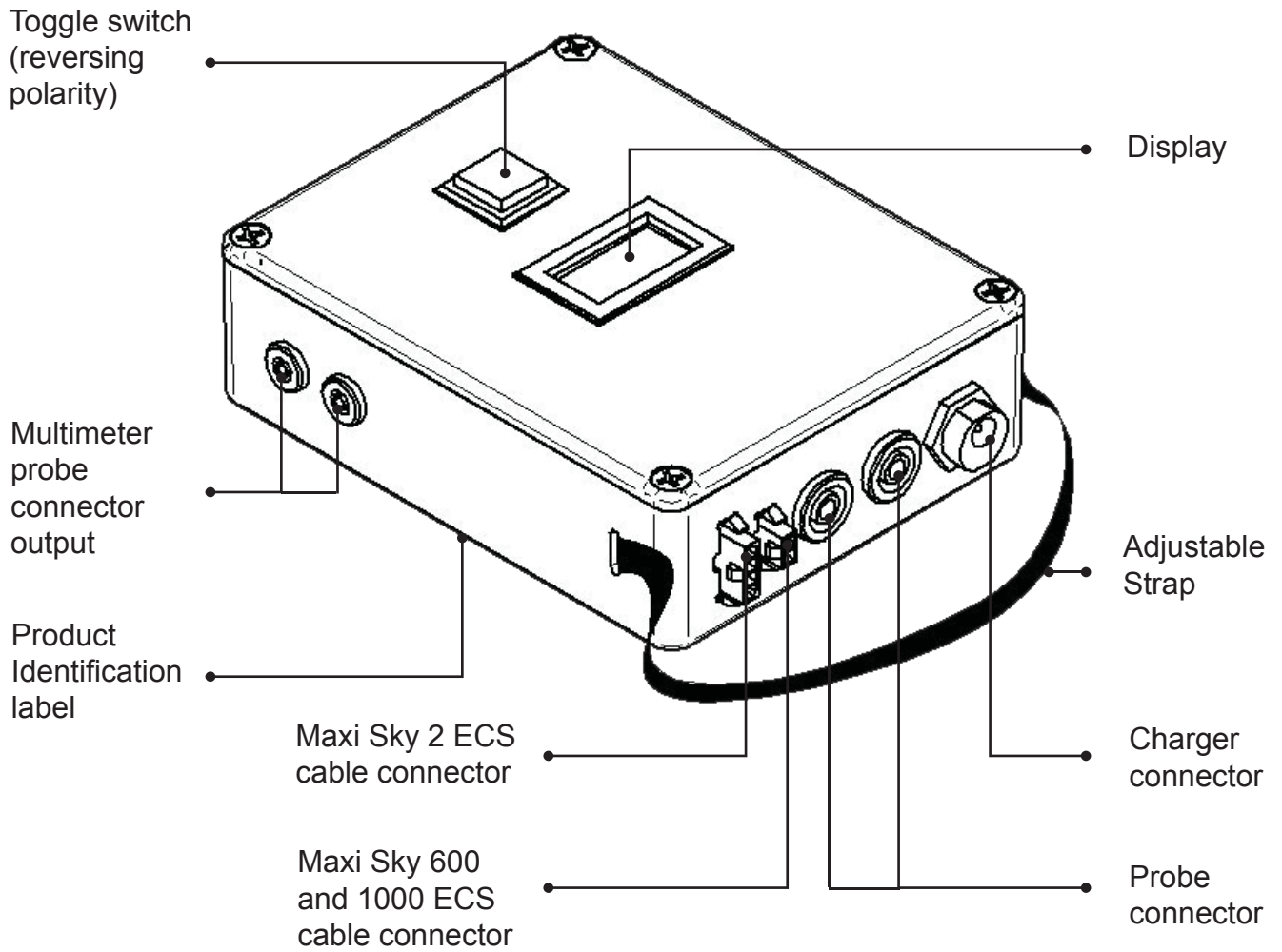
NOTE

The lift must be shut off at all-times when testing with the *ECS Voltmeter*; otherwise the reading will be inaccurate.

NOTE

There is a fan to keep the *ECS Voltmeter* cool. But if it becomes too hot it may automatically shut off for a cool down period.

Parts Designation



How to use the ECS Voltmeter

NOTE

- If you have no reading when probing, press the toggle switch to reverse the polarity.
- Handle the probes carefully as they have sharp tips.
- In case of a LCD malfunction, insert other multimeter probes into the multimeter probe connector output to be able to have a readout on the display.
(To have an accurate reading, make sure to listen for the fan to turn on.)

Fig. 1



Fig. 2



Fig. 3



1. Remove the ceiling lift cover to have access to the ECS cable of the ECS Contact Box in the trolley. Plug in the proper connector the ECS cable connector. For Maxi Sky 2 (See Fig. 1). For Maxi Sky 600 and 1000 (See Fig. 2).
2. Reading must be equal or more than 26 volts. If equal or more than 26 volts, move the lift along the track to make sure the voltage is constant. If not, go to step 3.
3. Look for pinched cables, loose connectors or a damaged ECS contact box. Replace parts and take an *ECS Voltmeter* reading. Reading must be equal or more 26 volts. If not, go to step 4.
4. Probe the ECS strips on mobile track, and then on the fixed track, Reading must be equal or more than 26 volts.

NOTE

If there is no reading, invert probes or press on the toggle switch to reverse polarity. (See Fig. 3) Reading must be equal or more 26 volts. If not, go to step 5.

5. Look for pinched cables, loose connectors or a damaged ECS contact box. Replace parts accordingly and take a reading again with the *ECS Voltmeter*. Reading must be equal or more 26 volts. If not, go to step 6).
6. Plug the charger extension cable connector (and/or directly from the ECS battery charger) into the charger connector. Reading must be equal or more then 27 volts. If not, replace the ECS battery charger.

AUSTRALIA

ArjoHuntleigh Pty Ltd
78, Forsyth Street
O'Connor
AU-6163 Western Australia
Tel: +61 89337 4111
Free: +1 800 072 040
Fax: +61 89337 9077

BELGIQUE / BELGIË

ArjoHuntleigh NV/SA
Evenbroekveld 16
BE-9420 ERPE-MERE
Tél/Tel: +32 (0) 53 60 73 80
Fax: +32 (0) 53 60 73 81
E-mail: info.belgium@arjohuntleigh.be

BRASIL

Maquet do Brasil
Equipamentos Médicos Ltda
Rua Tenente Alberto Spicciati, 200
Barra Funda, 01140-130
SÃO PAULO, SP - BRASIL
Fone: +55 (11) 2608-7400
Fax: +55 (11) 2608-7410

CANADA

ArjoHuntleigh
90 Matheson Boulevard West
Suite 300
CA-MISSISSAUGA, ON, L5R 3R3
Tel/Tél: +1 905 238 7880
Free: +1 800 665 4831 Institutional
Free: +1 800 868 0441 Home Care
Fax: +1 905 238 7881
E-mail: info.canada@arjohuntleigh.com

ČESKÁ REPUBLIKA

ArjoHuntleigh s.r.o.
Hlinky 118
CZ-603 00 BRNO
Tel: +420 549 254 252
Fax: +420 541 213 550

DANMARK

ArjoHuntleigh A/S
Vassingerødvej 52
DK-3540 LYNGBE
Tel: +45 49 13 84 86
Fax: +45 49 13 84 87
E-mail:
dk_kundeservice@arjohuntleigh.com

DEUTSCHLAND

ArjoHuntleigh GmbH
Peter-Sander-Strasse 10
DE-55252 MAINZ-KASTEL
Tel: +49 (0) 6134 186 0
Fax: +49 (0) 6134 186 160
E-mail: info-de@arjohuntleigh.com

ESPAÑA

ArjoHuntleigh Ibérica S.L.
Ctra. de Rubí, 88 1ª planta - A1
08173 Sant Cugat del Vallés
ES- BARCELONA 08173
Tel: +34 93 583 11 20
Fax: +34 93 583 11 22
E-mail: info.es@arjohuntleigh.com

FRANCE

ArjoHuntleigh SAS
2 Avenue Alcide de Gasperi
CS 70133
FR-59436 RONCQ CEDEX
Tél: +33 (0) 3 20 28 13 13
Fax: +33 (0) 3 20 28 13 14
E-mail: info.france@arjohuntleigh.com

HONG KONG

ArjoHuntleigh (Hong Kong) Ltd
1510-17, 15/F, Tower 2
Kowloon Commerce Centre
51 Kwai Cheong Road
Kwai Chung
HONG KONG
Tel: +852 2207 6363
Fax: +852 2207 6368

INTERNATIONAL

ArjoHuntleigh International Ltd
ArjoHuntleigh House
Houghton Hall Park
Houghton Regis
UK-DUNSTABLE LU5 5XF
Tel: +44 (0) 1582 745 800
Fax: +44 (0) 1582 745 866
E-mail: international@arjohuntleigh.com

ITALIA

ArjoHuntleigh S.p.A.
Via Giacomo Peroni 400-402
IT-00131 ROMA
Tel: +39 (0) 6 87426211
Fax: +39 (0) 6 87426222
E-mail: italy.promo@arjohuntleigh.com

MIDDLE EAST

ArjoHuntleigh ME
Office G005 - Nucleotide Complex,
Dubitech & Research Park,
P.O.Box 214742, Dubai,
United Arab Emirates
Tel: +971 (0)4 447 0942
E-mail: international@arjohuntleigh.com

NEDERLAND

ArjoHuntleigh Nederland BV
Biezenwei 21
4004 MB TIEL
Postbus 6116
4000 HC TIEL
Tel: +31 (0) 344 64 08 00
Fax: +31 (0) 344 64 08 85
E-mail: info.nl@arjohuntleigh.com

NEW ZEALAND

ArjoHuntleigh Ltd
41 Vestey Drive
Mount Wellington
NZ-AUCKLAND 1060
Tel: +64 (0) 9 573 5344
Free Call: 0800 000 151
Fax: +64 (0) 9 573 5384
E-mail: nz.info@ArjoHuntleigh.com

NORGE

ArjoHuntleigh Norway AS
Olaf Helsets vei 5
N-0694 OSLO
Tel: +47 22 08 00 50
Faks: +47 22 08 00 51
E-mail: no.kundeservice@arjohuntleigh.com

ÖSTERREICH

ArjoHuntleigh GmbH
Dörrstrasse 85
AT-6020 INNSBRUCK
Tel: +43 (0) 512 204 160 0
Fax: +43 (0) 512 204 160 75

POLSKA

ArjoHuntleigh Polska Sp. z o.o.
ul. Ks Piotra Wawrzyniaka 2
PL-62-052 KOMORNIKI (Poznan)
Tel: +48 61 662 15 50
Fax: +48 61 662 15 90
E-mail: arjo@arjohuntleigh.com

PORTUGAL

ArjoHuntleigh em Portugal
MAQUET Portugal, Lda.
(Distribuidor Exclusivo)
Rua Poeta Bocage n.º 2 - 2G
PT-1600-233 Lisboa
Tel: +351 214 189 815
Fax: +351 214 177 413
E-mail: Portugal@arjohuntleigh.com

SUISSE / SCHWEIZ

ArjoHuntleigh AG
Fabrikstrasse 8
Postfach
CH-4614 HÄGENDORF
Tél/Tel: +41 (0) 61 337 97 77
Fax: +41 (0) 61 311 97 42

SUOMI

Oy Vestek AB
Martinkuja 4
FI-02270 ESPOO
Puh: +358 9 8870 120
E-mail: info@vestek.fi

SVERIGE

ARJO Scandinavia AB
Hans Michelsensgatan 10
SE-211 20 MALMÖ
Tel: +46 (0) 10 494 7760
Fax: +46 (0) 10 494 7761
E-mail: kundservice@arjohuntleigh.com

UNITED KINGDOM

ArjoHuntleigh UK
ArjoHuntleigh House
Houghton Hall Park
Houghton Regis
UK-DUNSTABLE LU5 5XF
Tel: +44 (0) 1582 745 700
Fax: +44 (0) 1582 745 745
E-mail: sales.admin@arjohuntleigh.com

USA

ArjoHuntleigh Inc.
2349 W Lake Street Suite 250
US-Addison, IL 60101
Tel: +1 630 307 2756
Free: +1 800 323 1245 Institutional
Free: +1 800 868 0441 Home Care
Fax: +1 630 307 6195
E-mail: us.info@arjohuntleigh.com

Address page - REV 17: 03/2016

GETINGE GROUP

Getinge Group is a leading global provider of products and systems that contribute to quality enhancement and cost efficiency within healthcare and life sciences. We operate under the three brands of **ArjoHuntleigh**, **Getinge** and **Maquet**. **Getinge** provides solutions for infection control within healthcare and contamination prevention within life sciences. **Maquet** specializes in solutions, therapies and products for surgical interventions, interventional cardiology and intensive care.

ARJOHUNTLEIGH

GETINGE GROUP

ArjoHuntleigh focuses on patient handling and hygiene, disinfection, DVT prevention, medical beds, therapeutic surfaces and diagnostics.



ArjoHuntleigh AB
Hans Michelsensgatan 10
211 20 Malmö, Sweden
www.arjohuntleigh.com

