

SITE PREPARATION

Malibu / Sovereign

(2021 Edition- UK)



Design Policy and Copyright

® and ™ are trademarks belonging to the Arjo group of companies.

© Arjo 2024.

As our policy is one of continuous improvement, we reserve the right to modify designs without prior notice. The content of this publication may not be copied either whole or in part without the consent of Arjo.

Content

Content	3
Introduction	4
Safety Instructions	4
Measurements and Weights	5
Overall Dimensions	6
Space Requirements	7
Floor Preparations	10
Water and Drain Preparations	11
Electrical Installation Preparations	13
Electrical supply	14
Checkpoints prior to the Installation	16

Introduction

This site preparation provides information regarding recommended pre-installation procedures.

It shall be seen as guideline and can always be superseded by local regulations.

This document has been developed to supply accurate and targeted information in order to make the site ready for Malibu/Sovereign®. Combining good engineering practice with a well prepared installation site, will provide a worry free installation the day the *Malibu/Sovereign* bathtub is delivered. Please read through the complete Site Preparation instructions prior to preparing the site.

This will facilitate the installation procedure and give the correct and optimal working conditions of all involved persons.

Definitions in this Site Preparation

WARNING

Means: Safety warning. Failure to understand and obey this warning may result in injury to you or to others.

CAUTION

Means:
Failure to follow these instructions may cause damage to all or parts of the system or equipment..

NOTE

Means:
This is important information for the correct use of this system or equipment.



Means:
The name and address of the manufacturer.

Safety Instructions

NOTE

All water and electrical pre-installation planning should be carried out by qualified personnel, in accordance with local and national regulations

NOTE

It is the responsibility of the customer to prepare the site before the installation procedure starts.

Measurements and Weights

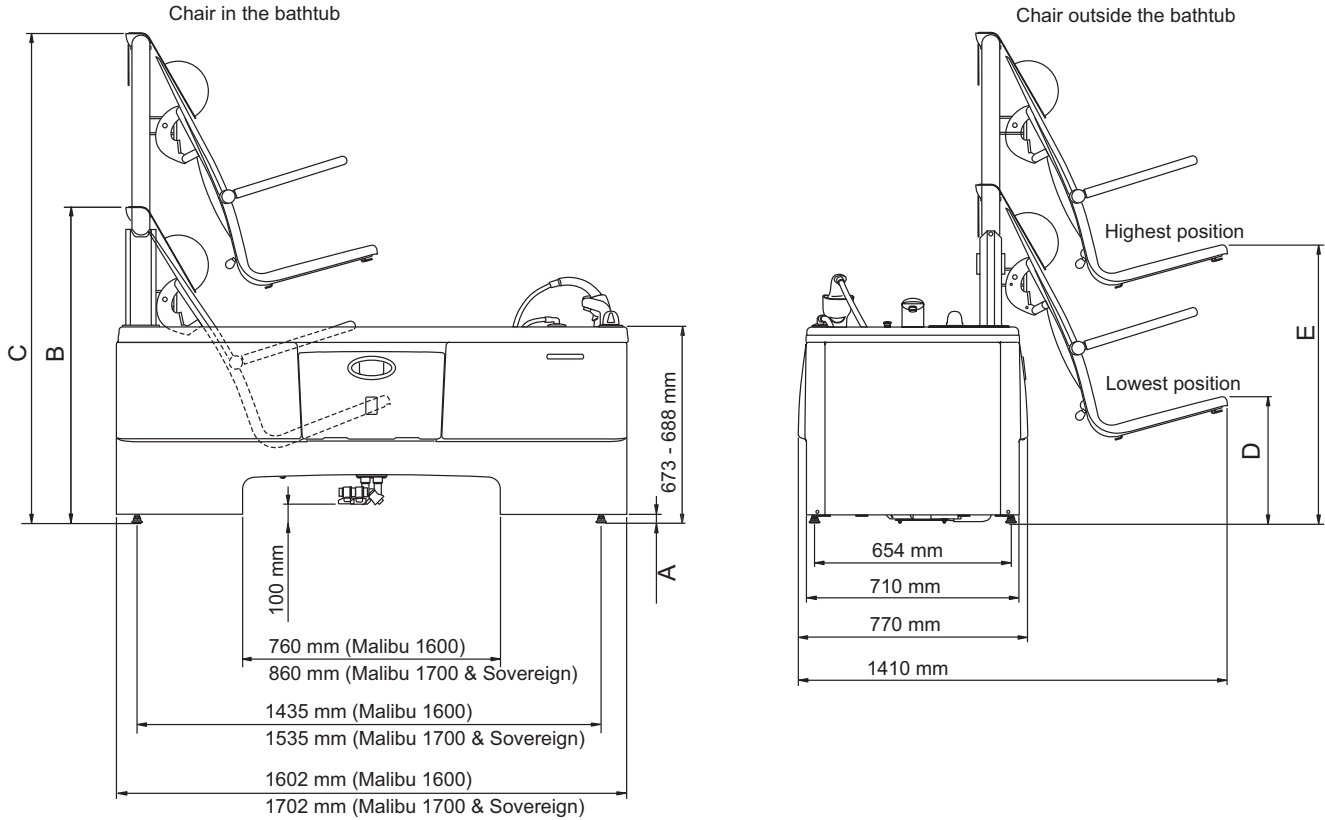
Measurement and weight of the box with content		
Measurements	H = 1311 mm L = 1830 mm W = 800 mm	
Weight	max 212 kg	

Measurement and weight of the <i>Malibu/Sovereign</i> bathtub	
Measurements	H = 2010 mm L = 1602 mm (Malibu 1600) 1702 mm (Malibu 1700 and Sovereign) W = 770 mm
Weight	max 172 kg

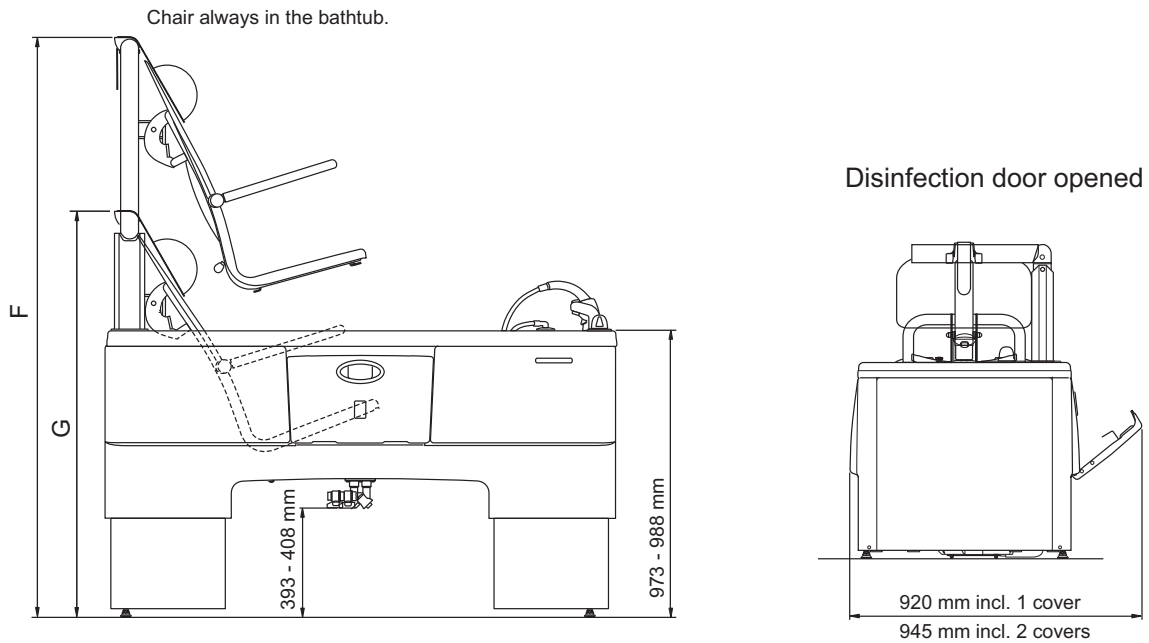
Allowed Combinations	
Malibu/Sovereign bathtub integrates with the following Arjo products:	Maxi Sky Range (All models but MS 1000 and Large hanger bars and stretchers), Maxi Move Range (All hanger bars but Large and Stretchers), Maxi Twin Range (All hanger bars but Large), Sara 3000, Sara Plus, Sara Lite and Stedy,
No other combinations are allowed	

Overall Dimensions

Bathtub in lowest position.



Bathtub in highest position.



Measures in mm	B		C		D		E		F		G	
A	40	55	40	55	40	55	40	55	40	55	40	55
Malibu 1600	1128	1143	1668	1683	383	398	883	898	1968	1983	1428	1443
Malibu 1700	1083	1098	1668	1683	383	398	883	898	1968	1983	1383	1398
Sovereign	1083	1098	1668	1683	338	353	838	853	1968	1983	1383	1398

Space Requirements

Malibu/Sovereign should always be installed according to recommended space requirements, to provide optimal working conditions for caregivers and resident.

NOTE

Space for furniture and other personal items are not included in these measurements.

Wall Position (measurements depending on *Malibu/Sovereign* bathtub model)

Contact Arjo to order side / back / corner cover if:

* Short side is equal or larger measurements than 60 mm

** Long side is equal or larger measurements than 80 mm

Fig. 1

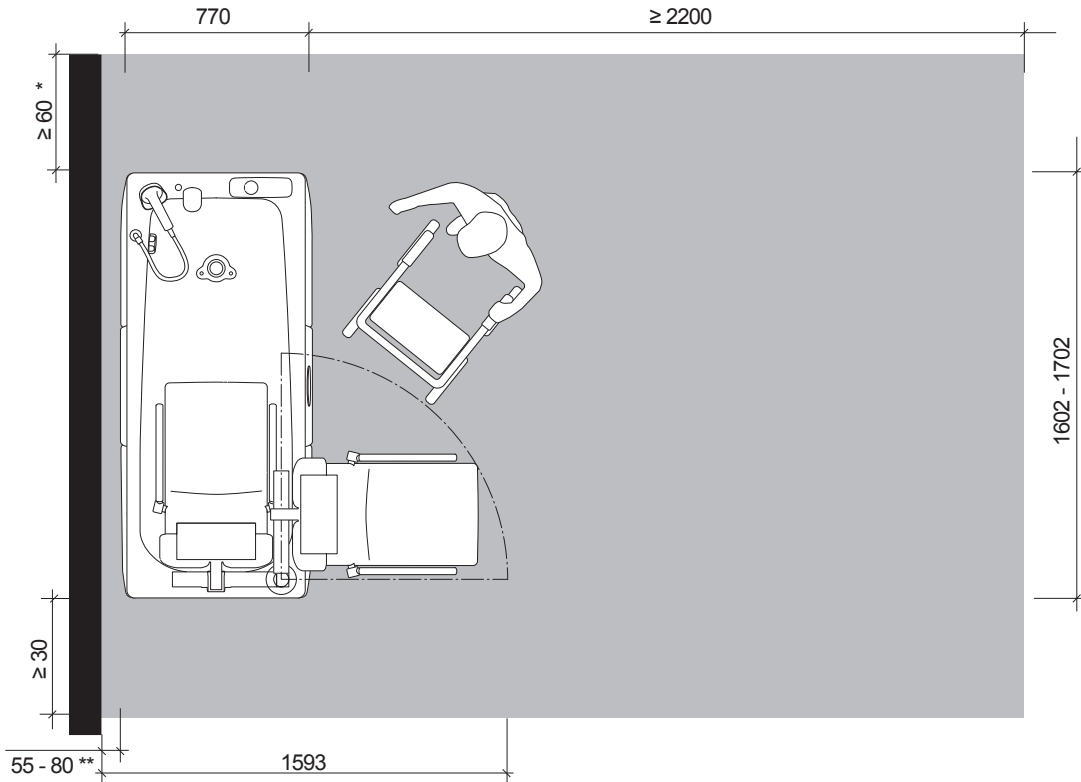
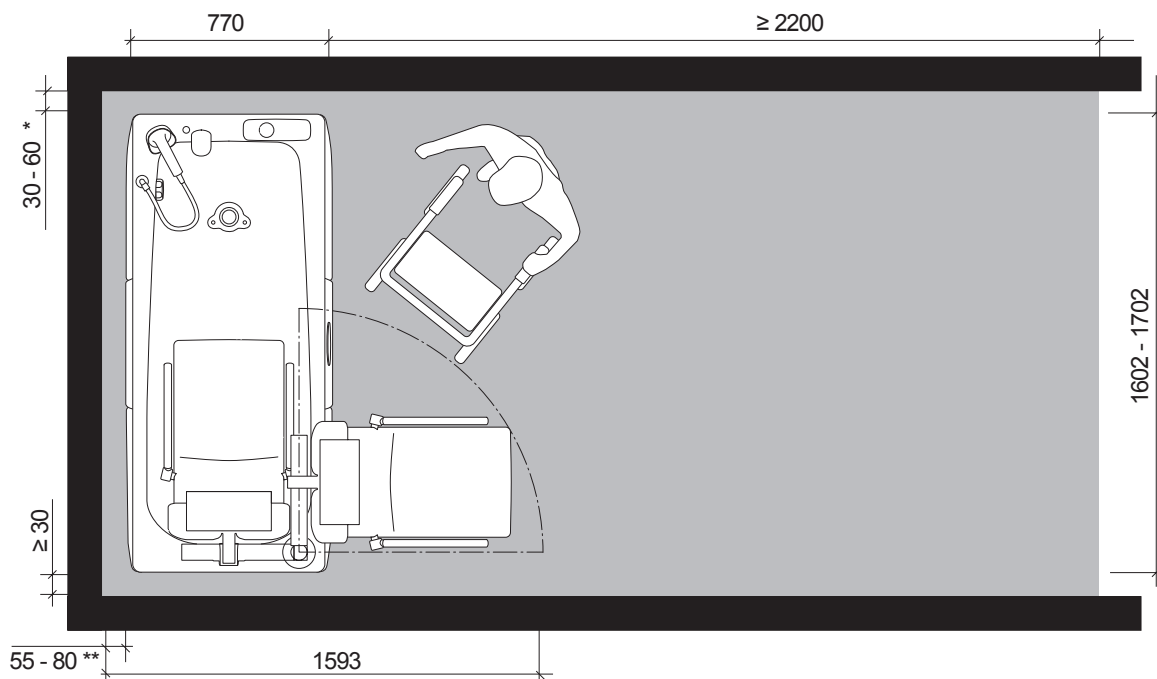


Fig. 2



Wall Position (measurements depending on *Malibu/Sovereign* bathtub model)

Contact Arjo to order side / back / corner cover if:

* Short side is equal or larger measurements than 60 mm

** Long side is equal or larger measurements than 80 mm

Fig. 3

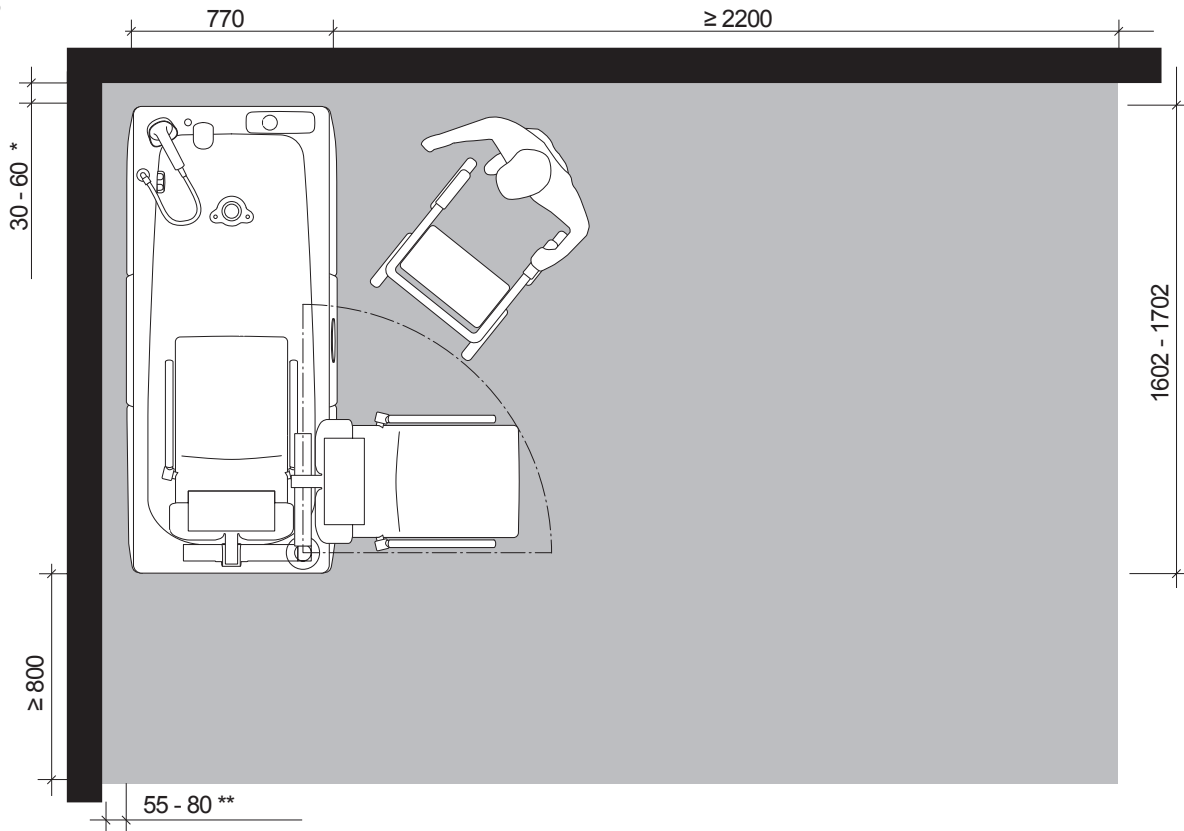
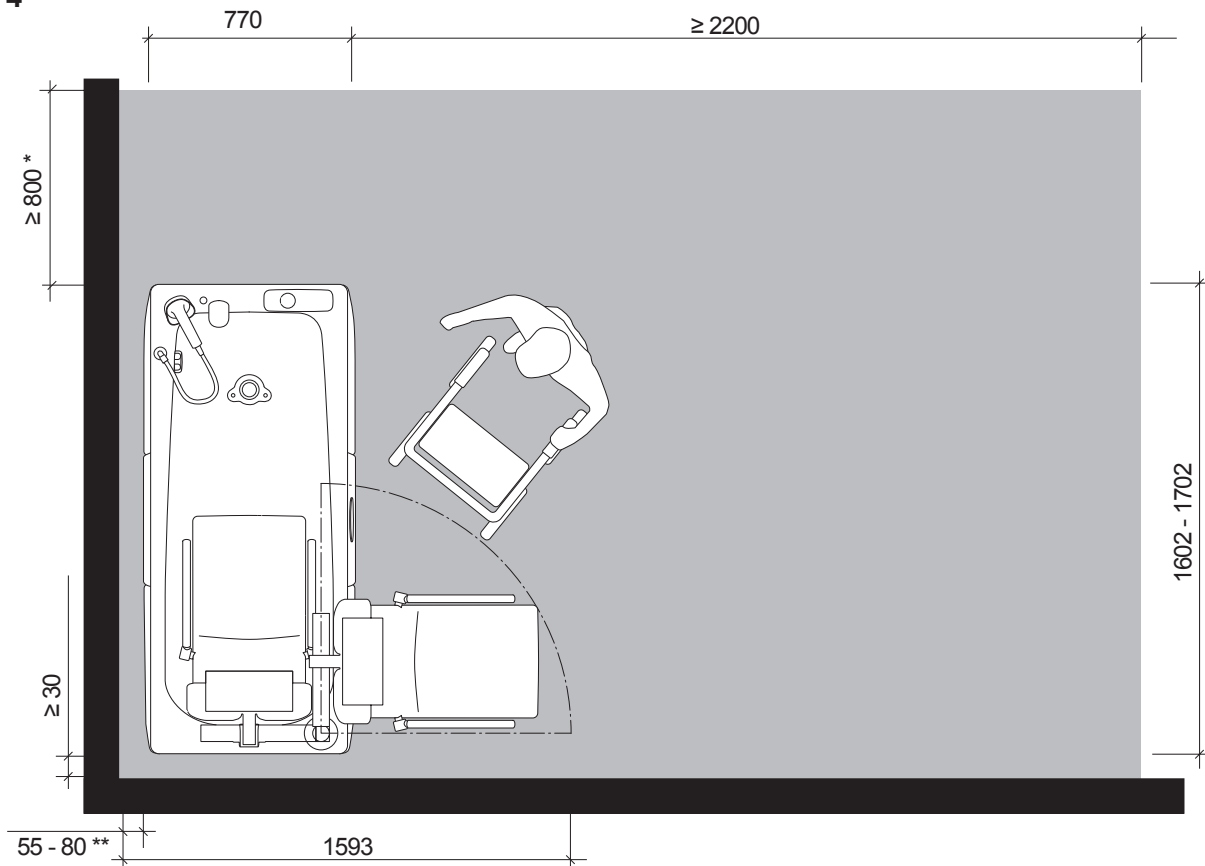


Fig. 4



Island position (measurements depending on *Malibu/Sovereign* bathtub model)

Contact Arjo to order side / back / corner cover if:

* Short side is equal or larger measurements than 60 mm

** Long side is equal or larger measurements than 80 mm

Fig. 5

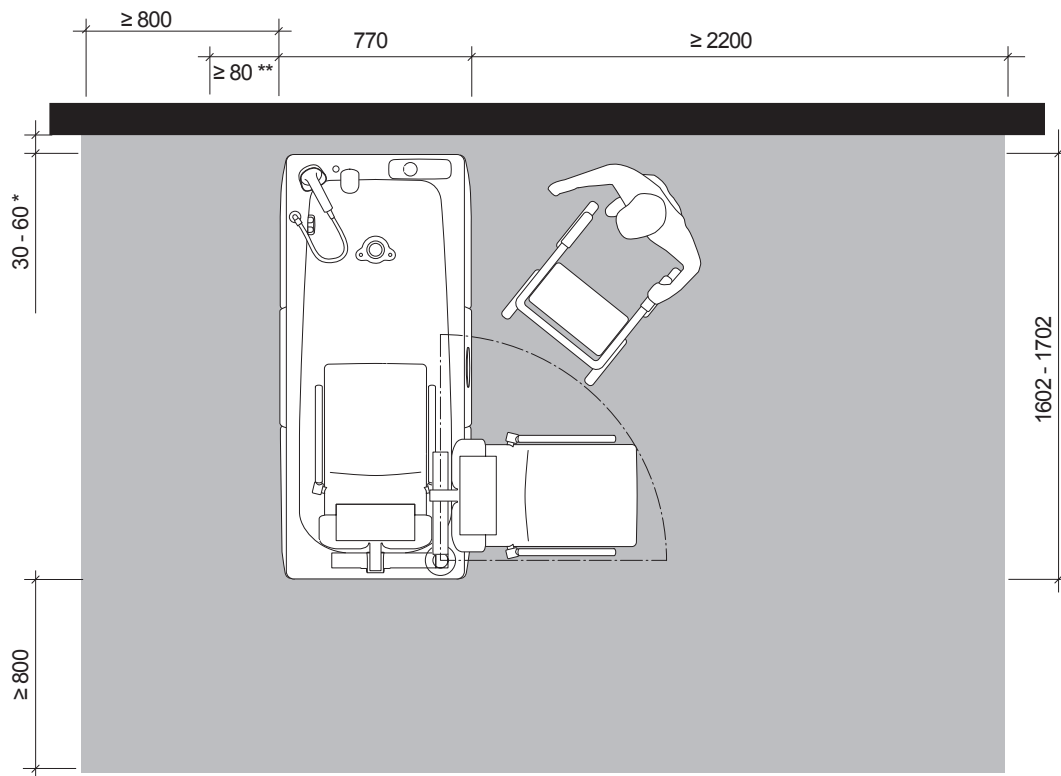
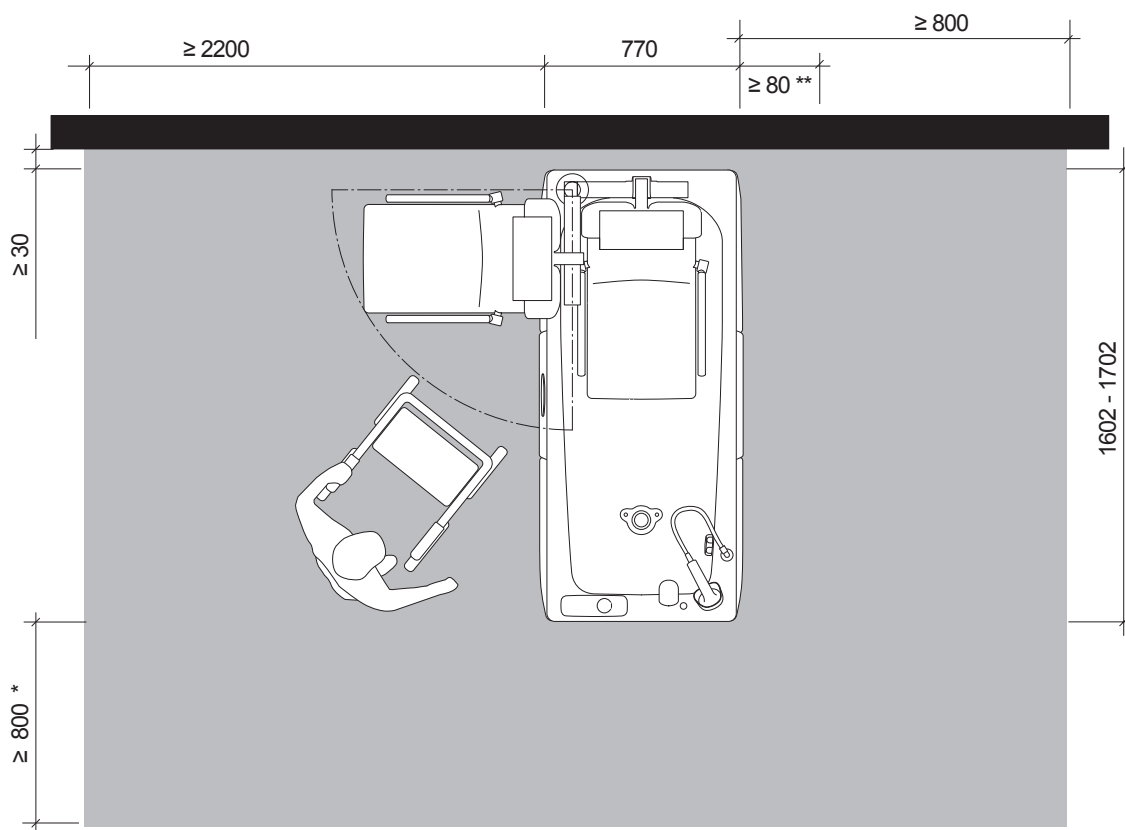


Fig. 6



Floor Preparations

NOTE

All water and electrical pre-installation planning should be carried out by qualified personnel, in accordance with local and national regulations

Floor Requirements

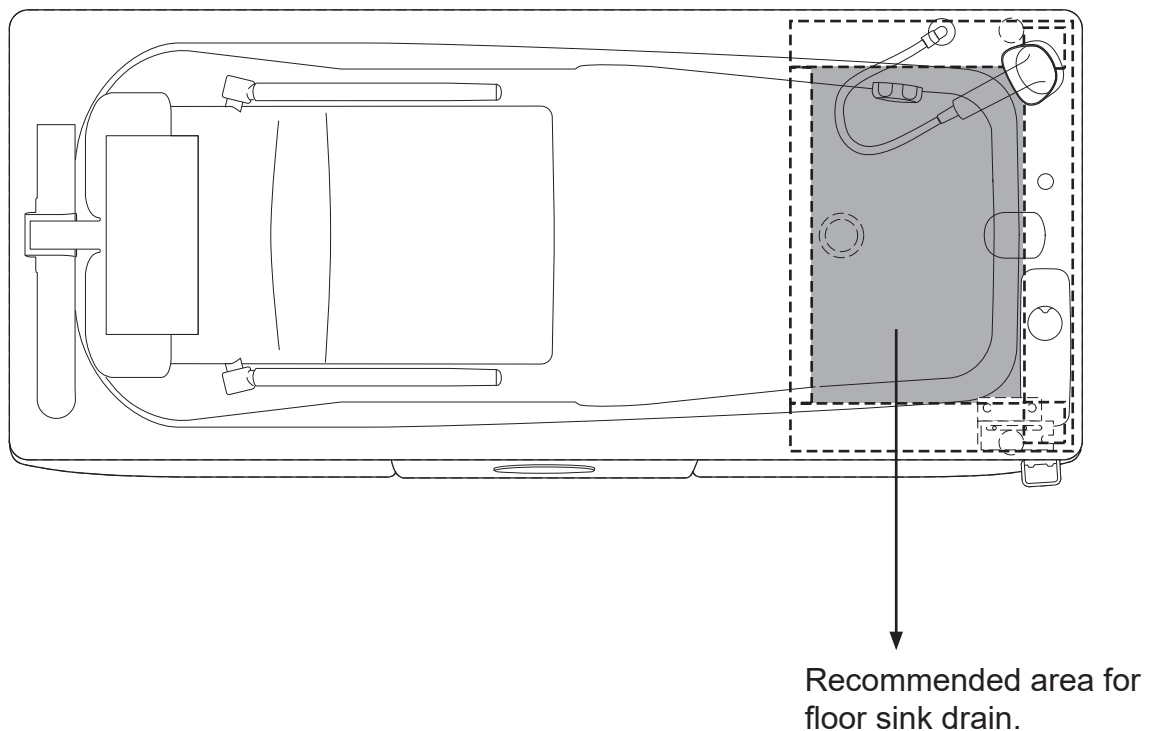
Maximum floor load	576 kg / m ²
Maximum floor pressure	4.5 N/mm ²

WARNING

To avoid the device from tipping and the patient from falling, make sure the floor with recessed drains, holes or slopes do NOT exceed a ration of 1:50 (1.15°).

- The floor should be made of a slip-resistant material, free of bumps and must be water sealed.
- Arjo recommends floor sink drain within the chassis foot end frame, See Fig 7. Also see Assembly and Installation instructions manual.
- The floor construction must be suitable for anchoring the fasteners for a minimum load of 1500 N/fastener (Make sure there are no heat slings or water pipes)
- Also see Assembly and Installation instructions manual.

Fig. 7



Water and Drain Preparations

Water Supply Requirements	
Maximum static pressure	6 bar (600 kPa, 87 psi)
Min. Dynamic pressure	1 bar (100 kPa, 15 psi)
Temperature - Cold water supply	5 - 20 °C
Temperature - Hot water supply	55 - 60 °C
Hot/Cold Water connection	G3/4" male (customers connection)
pH range	pH 7,5 - pH 9
Conductivity (Min.)	More than 80 µS/m
Chloride (Max.)	Less than 250 mg/l
Hardness	Less then 20 °dH
Alkalinity	60-200 mg/l HCO ₃

Water Supply Preparations

The water supply can be arranged according to two main alternatives:

- Water connection from floor
- Water connection from wall

Check with local regulations.

Precautions

In order to limit the growth of bacterial flora, it is necessary to take action at four levels:

- Avoid stagnating water and make sure there is proper water circulation.
- Take precautions against the formation of scale and corrosion, based on the water quality.
- Maintain a high water temperature from production to the different distribution circuits.
- Mix hot and cold water as closely as possible to the point of use.

Drain Supply Preparations

Drainage Requirements	
Min. Drainage capacity	100 l/min
Drain position	Floor
The <i>Malibu/Sovereign</i> bathtub must be connected to drainage. Create air gap if needed.	
Connections must be done in accordance with local regulations.	

Electrical Installation Preparations

WARNING

- To avoid risk of electric shock, this equipment must only be connected to a supply mains with protective earth.
- The unit must be continuously powered and connected to a electrical power disconnection device and to separate fuse with ground fault interrupter in accordance with local codes and regulations.
- The product must be protected by a ground fault circuit interrupter, (GFCI), not supplied.
- The mains connection cable must be adequately provided with additional mechanical protection both on the distance over / on the floor and on the wall.
- The mains connection cable must be protected against being run over by equipment with castors.
- The mains connection cable must be provided with adequate strain relive.
- The mains connection cable type must be selected so that it can withstand the heat, humidity and chemical load that can be expected in the location.

Market	Voltage	Frequency	Mains supply fuse External fuses	Max Power Consumption	Residual Current Device
Europe	230V single phase AC	50 Hz	10A	1000VA	30mA

Mains disconnection device

Permanently installed in wall. Visible and accessible at all times

Mains transient voltage	4 kV*
Creepage distance	3 mm*
Air clearance	1.8 mm*
Direction of movement	Up and down, right and left, clockwise and counter-clockwise

* If local regulations are higher, then they have to be met.

Electrical supply

IMPORTANT:

The unit/s must be connected to a surface fused connection (minimum IPX4 rating), 10 amp supply of 230 volts AC50Hz single phase supply and meeting EN 60601-1 the safety standard for medical electrical equipment.

The power supply shall be through a Residual Current Device (RCD) not exceeding 30mA in compliance with IEE Regulations for electrical equipment in bathrooms.

Alternatively the power supply may be through a Residual Current operated circuit breaker with integral over current protection (RCBO). See overleaf for further information.

NOTE 1

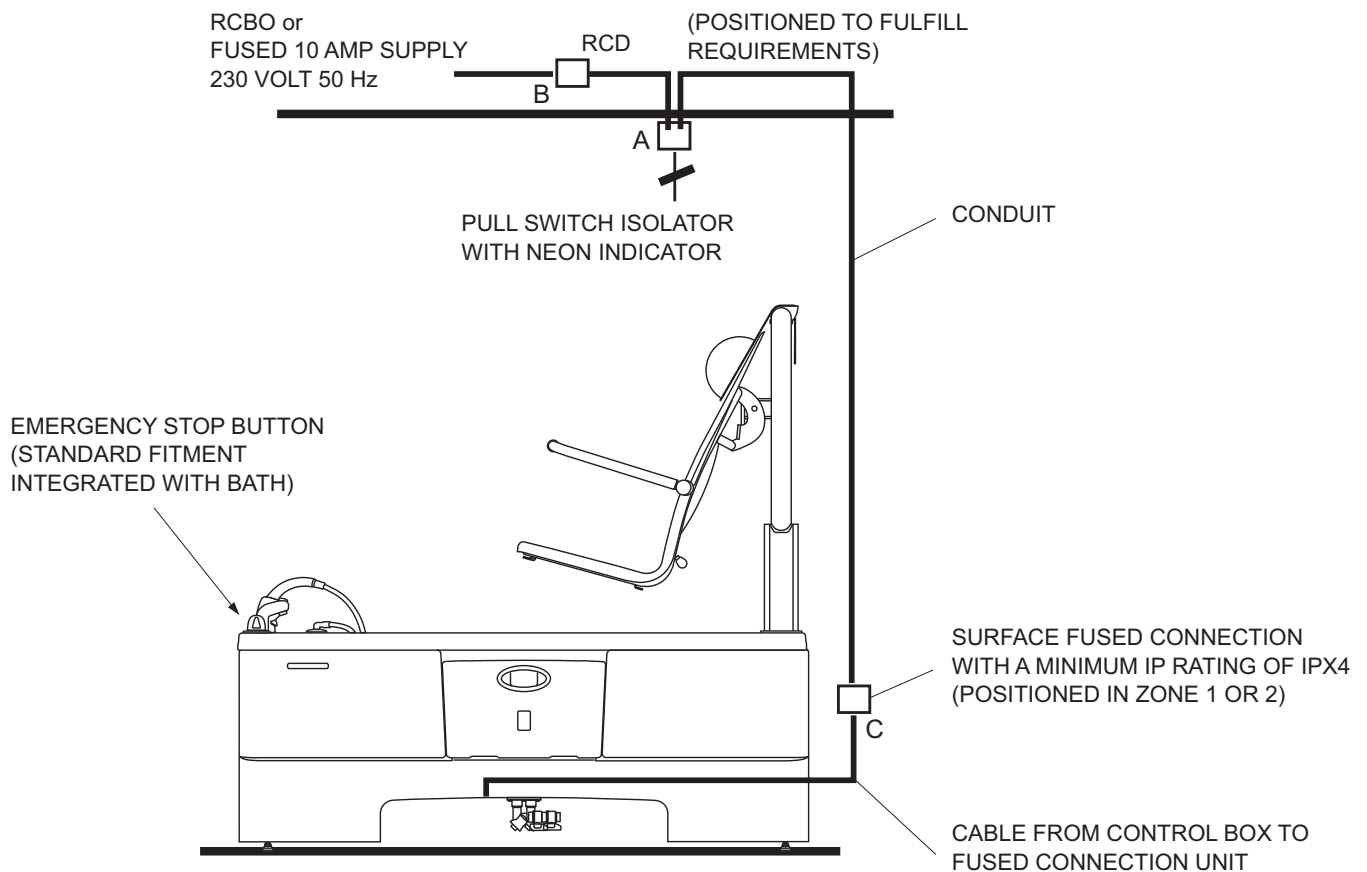
The surface fused connection unit of the fixed wiring installation must have the appropriate earth bonding installed and be positioned in ZONE 1 or 2 (see figure on the next page, position C) according to IEE Regulations.

NOTE 2

Supplementary earth bonding will be supplied via connecting the appliance by the flex to the earth terminal in the unit according to IEE Regulation 544.2.5 from BS7671:2008.

IMPORTANT:

It is the responsibility of the customer to provide the correct certificated connection for the Arjo engineer to connect the unit. If a booster Pump assembly is installed, the base plate on which the pump assembly is mounted must be earthed.



Electrical fittings to be supplied by customer are:

- A. Ceiling mounted pull switch isolator with indicator (Double Pole with 3mm air gap) to BS EN 60669-1:2000, (was BS 3676).
- B. RCD (Residual Current Device) not exceeding 30mA to BS EN 61008-1 in compliance with IEE Regulations for electrical equipment in bathrooms. Alternatively a RCBO (Residual current operated circuit breaker with integral over current protection) to BSEN 61009-1 may be used. To help in choosing a suitable device the Power consumption of the *Malibu/Sovereign* bathtub is 1000VA and at initial switch on the *Malibu/Sovereign* bathtub draws a peak current of 10A for a duration of 130 milliseconds. When fitting a RCBO, to avoid nuisance tripping it may be necessary to fit a 10A 30mA unit. 10A surface fused connection unit with a minimum IP rating of IPX4 in compliance with IEE Regulations for electrical equipment in bathrooms. A 5A fuse should be fitted.
- C. 10A surface fused connection unit with a minimum IP rating of IPX4 in compliance with IEE Regulations for electrical equipment in bathrooms. A 5A fuse should be fitted.
If there is a requirement for a Booster Pump or a Multi Clean disinfection module then a separate 10A surface fused connection should be provided for each unit. In both instances a 5A fuse should be fitted.

Refer to Arjo Technical Support in further detail is required.

Checkpoints prior to the Installation

Always make sure that the following checkpoints are fulfilled and completed prior to the installation.

Reference to values and other information in this manual.

CHECK POINTS		COMPLETED
Water cold/hot	Pressure, temperature, location, local/national requirements, hot water min: 200 l / <i>Malibu/Sovereign</i> bathtub	
Drain	Location, capacity, local/national requirements	
Power	Fusing, capacity, local/national requirements	
Attachments floor/wall	Fittings, local/national requirements	
Floor loads	Construction, materials, local/national requirements	
Materials	Slip/moisture protection, local/national requirements	
Floor	Slope, evenness, thresholds, local/national requirements	
Floor construction	Floor construction suitable for anchoring screws (Make sure there are no heat slings or water pipes)	
Installation accessibility	Doors, measurements, elevators	
Space requirements	For personal and patient	
Service accessibility	For maintenance staff and annual service	

Intentionally left blank

Intentionally left blank

AUSTRALIA
Arjo Australia
Building B, Level 3
11 Talavera Road
Macquarie Park, NSW, 2113,
Australia
Phone: 1800 072 040

BELGIQUE / BELGIË
Arjo Belgium
Evenbroekveld 16
9420 Erpe-Mere
Phone: +32 (0) 53 60 73 80
Fax: +32 (0) 53 60 73 81
E-mail: info.belgium@arjo.com

BRASIL
Arjo Brasil Equipamentos Médicos Ltda
Rua Marina Ciufuli Zanfelicé, 329 PB02
Galpão - Lapa
São Paulo – SP – Brasil
CEP: 05040-000
Phone: 55-11-3588-5088
E-mail: vendas.latam@arjo.com
E-mail: servicios.latam@arjo.com

CANADA
Arjo Canada Inc.
90 Matheson Boulevard West
Suite 350
CA-MISSISSAUGA, ON, L5R 3R3
Tel/Tél: +1 (905) 238-7880
Free: +1 (800) 665-4831
Fax: +1 (905) 238-7881
E-mail: info.canada@arjo.com

ČESKÁ REPUBLIKA
Arjo Czech Republic s.r.o.
Na Strži 1702/65
140 00 Praha
Czech Republic
Phone No: +420225092307
E-mail: info.cz@arjo.com

DANMARK
Arjo A/S
Vassingerødvej 52
DK-3540 LYNGE
Tel: +45 49 13 84 86
Fax: +45 49 13 84 87
E-mail: dk_kundeservice@arjo.com

DEUTSCHLAND
Arjo GmbH
Peter-Sander-Strasse 10
DE-55252 MAINZ-KASTEL
Tel: +49 (0) 6134 186 0
Fax: +49 (0) 6134 186 160
E-mail: info-de@arjo.com

ESPAÑA
ARJO IBERIA S.L.
Poligono Can Salvatella
c/ Cabanyes 1-7
08210 Barberà del Valles
Barcelona - Spain
Telefono 1: +34 900 921 850
Telefono 2: +34 931 315 999

FRANCE
Arjo SAS
2 Avenue Alcide de Gasperi
CS 70133
FR-59436 RONCQ CEDEX
Tél: +33 (0) 3 20 28 13 13
Fax: +33 (0) 3 20 28 13 14
E-mail: info.france@arjo.com

HONG KONG
Arjo Hong Kong Limited
Room 411-414, 4/F, Manhattan Centre,
8 Kwai Cheong Road, Kwai Chung, N.T.,
HONG KONG
Tel: +852 2960 7600
Fax: +852 2960 1711

ITALIA
Arjo Italia S.p.A.
Via Giacomo Peroni 400-402
IT-00131 ROMA
Tel: +39 (0) 6 87426211
Fax: +39 (0) 6 87426222
E-mail: Italy.promo@arjo.com

MIDDLE EAST
Arjo Middle East FZ-LLC
Office 908, 9th Floor,
HQ Building, North Tower,
Dubai Science Park,
Al Barsha South
P.O. Box 11488, Dubai,
United Arab Emirates
Direct +971 487 48053
Fax +971 487 48072
Email: Info.ME@arjo.com

NEDERLAND
Arjo Nederland BV
Biezenwei 21
4004 MB TIEL
Postbus 6116
4000 HC TIEL
Tel: +31 (0) 344 64 08 00
Fax: +31 (0) 344 64 08 85
E-mail: info.nl@arjo.com

NEW ZEALAND
Arjo Ltd
34 Vestey Drive
Mount Wellington
NZ-AUCKLAND 1060
Tel: +64 (0) 9 573 5344
Free Call: 0800 000 151
Fax: +64 (0) 9 573 5384
E-mail: nz.info@Arjo.com

NORGE
Arjo Norway AS
Olaf Helsetts vei 5
N-0694 OSLO
Tel: +47 22 08 00 50
Faks: +47 22 08 00 51
E-mail: no.kundeservice@arjo.com

ÖSTERREICH
Arjo Austria GmbH
Lemböckgasse 49 / Stiege A / 4.OG
A-1230 Wien
Tel: +43 1 8 66 56
Fax: +43 1 866 56 7000

POLSKA
Arjo Polska Sp. z o.o.
ul. Ks Piotra Wawrzyniaka 2
PL-62-052 KOMORNIKI (Poznań)
Tel: +48 691 119 999
E-mail: arjo@arjo.com

PORTUGAL
Arjo em Portugal
MAQUET Portugal, Lda.
(Distribuidor Exclusivo)
Rua Poeta Bocage n.º 2 - 2G
PT-1600-233 Lisboa
Tel: +351 214 189 815
Fax: +351 214 177 413
E-mail: Portugal@arjo.com

SUISSE / SCHWEIZ
Arjo Switzerland AG
Fabrikstrasse 8
Postfach
CH-4614 HÄGENDORF
Tél/Tel: +41 (0) 61 337 97 77
Fax: +41 (0) 61 311 97 42

SUOMI
Arjo Scandinavia AB
Riihitontuntie 7 C
02200 Espoo
Finland
Puh: +358 9 6824 1260
E-mail: Asiakaspalvelu.finland@arjo.com

SVERIGE
Arjo International HQ
Hans Michelsensgatan 10
SE-211 20 MALMÖ
Tel: +46 (0) 10 494 7760
Fax: +46 (0) 10 494 7761
E-mail: kundservice@arjo.com

UNITED KINGDOM
Arjo UK and Ireland
Houghton Hall Park
Houghton Regis
UK-DUNSTABLE LU5 5XF
Tel: +44 (0) 1582 745 700
Fax: +44 (0) 1582 745 745
E-mail: sales.admin@arjo.com

USA
Arjo Inc.
2349 W Lake Street Suite 250
US-Addison, IL 60101
Tel: +1 (630) 307-2756
Free: +1 (800) 323-1245
Fax: +1 (630) 307 6195
E-mail: us.info@arjo.com

JAPAN
Arjo Japan K.K.
東京都港区虎ノ門三丁目7番8号
ランディック第2虎ノ門ビル9階
Tel: +81 (0)3-6435-6401
Fax: +81 (0)3-6435-6402
E-mail: info.japan@arjo.com

At Arjo, we believe that empowering movement within healthcare environments is essential to quality care. Our products and solutions are designed to promote a safe and dignified experience through patient handling, medical beds, personal hygiene, disinfection, diagnostics, and the prevention of pressure injuries and venous thromboembolism. With over 6500 people worldwide and 65 years caring for patients and healthcare professionals, we are committed to driving healthier outcomes for people facing mobility challenges.



ArjoHuntleigh AB
Hans Michelsensgatan 10
211 20 Malmö, Sweden
www.arjo.com

arjo

CE
2797