

INSTRUCTIONS FOR USE

# Shower & Disinfection Panel



Design Policy and Copyright

® and ™ are trademarks belonging to the Arjo group of companies.

© Arjo 2026.

As our policy is one of continuous improvement, we reserve the right to modify designs without prior notice. The content of this publication may not be copied either whole or in part without the consent of Arjo.

# Contents

<b>Foreword</b> .....	<b>4</b>
<b>Intended use</b> .....	<b>5</b>
<b>Safety instructions</b> .....	<b>6</b>
<b>Preparations</b> .....	<b>7</b>
<b>Product models</b> .....	<b>8</b>
<b>Parts designation</b> .....	<b>10</b>
<b>Product description</b> .....	<b>11</b>
Disinfection flow control.....	11
Lockable door for disinfectant.....	11
Flowmeter.....	11
Shower flow control.....	11
Shower/disinfection handle (France).....	11
Shower/disinfection handle (not France).....	11
Temperature control.....	12
Thermometer.....	12
Flush valve / Flush button.....	12
<b>Shower patient in a shower chair/trolley</b> .....	<b>13</b>
<b>Cleaning and disinfection</b> .....	<b>14</b>
<b>Care and preventive maintenance</b> .....	<b>17</b>
<b>Technical specifications</b> .....	<b>21</b>
<b>Labels</b> .....	<b>23</b>
<b>Parts and accessories</b> .....	<b>24</b>

# Foreword

Thank you for choosing Shower & Disinfection Panel.

## Customer contact information

For questions regarding this product or other Arjo products and services, contact Arjo, an Arjo authorised representative or visit [www.arjo.com](http://www.arjo.com).

## Before using the product

The information in this Instructions For Use (IFU) is important for your safety. You must read and fully understand this IFU before using the product to help prevent potential injury. The information in this IFU is necessary for the proper and safe operation of the product.

Unauthorised modifications on any Arjo product can affect its safety and performance. Arjo will not be held responsible for any accidents or incidents resulting from such modifications to its products.

## Service and support

It is necessary to perform routine maintenance to maintain the safety and reliability of the product. See the Care and preventive maintenance section for more information. Contact your local Arjo representative for spare parts.

## Serious incident

If a serious incident occurs in relation to this medical device, affecting the user, or the patient, then the user or patient should report the serious incident to the medical device manufacturer or the distributor. In the European Union, the user should also report the serious incident to the Competent Authority in the member state where they are located.

## Definitions in this IFU



### WARNING

Warning means: Safety warning. Failure to understand and obey this warning may result in injury to you or others.

### CAUTION

Caution means: Failure to follow these instructions may cause damage to all or parts of the system or product.

### NOTE

Note means: This is important information for the correct use of this system or product.

# Intended use

This equipment is intended for showering hospital or care facility residents under the supervision of trained skilled nursing staff in accordance with the instructions outlined in the IFU.

This equipment is also intended for disinfection and cleaning of showering equipment in hospital or care facilities.

This equipment must be used by appropriately trained caregivers with adequate knowledge of the care environment, its common practices and procedures, and in accordance with the guidelines in the IFU.

The Shower & Disinfection Panel should only be used for the purpose specified in this IFU. Any other use is prohibited.

## Installation and service requirements

The equipment must only be used for the purposes stated, and must be installed according to the Assembly and installation Instructions, which can only be superseded by local code.

## Expected service life

The life span of this equipment, unless otherwise stated, is ten (10) years. Subject to preventive maintenance being carried out in accordance with the instructions for Care and preventive maintenance found in this IFU.

# Safety instructions



## **WARNING**

To prevent injury, always read this Instructions for use and accompanied documents before using the product.



## **WARNING**

To prevent explosion or fire, never use the product in oxygen-rich environment, in presence of heat source or flammable anaesthetic gases.



## **WARNING**

To prevent injury to both the patient and the caregiver, never modify the product or use incompatible parts.



## **WARNING**

To prevent cross-contamination, make sure to check the flowmeter for correct disinfectant mix ratio at the beginning of the disinfection process.



## **WARNING**

To prevent cross-contamination, always follow the cleaning and disinfection instructions in this IFU. Make sure that there is enough disinfectant in the bottle.




## **WARNING**

To prevent injury, make sure to refer to the compatible products IFU when using it together with the Shower & Disinfection Panel.

# Preparations

## Actions before first use


1. Check the package for damage. If the package looks damaged, contact the transport agency. Do NOT use the product.
2. Recycle the packaging according to local regulations.
3. Install the Shower & Disinfection Panel by qualified personnel. See separate Assembly and Installation Instructions.
4. Check that all parts are in place. Compare with Parts designation in this IFU. If any part is missing or damaged - do NOT use the product.
5. Read this IFU.
6. Clean the product according to Cleaning and disinfection on page 14.
7. Perform a functionality test according to Perform functionality test on page 18.
8. Store the IFU in a designated area where it is easily accessible at all times.

9.  **WARNING**  
**To prevent scalding, make sure that the water mixer has been calibrated. Confirm that responsible organization has established calibration routines.**

Make sure the Shower & Disinfection Panel thermostatic mixer has been calibrated according to the Assembly and Installation Instructions by qualified personnel or an Arjo technician.

10. Make sure to have a plan ready in case of a patient emergency.

## Actions before every use

 **WARNING**  
**To prevent cross-contamination:**

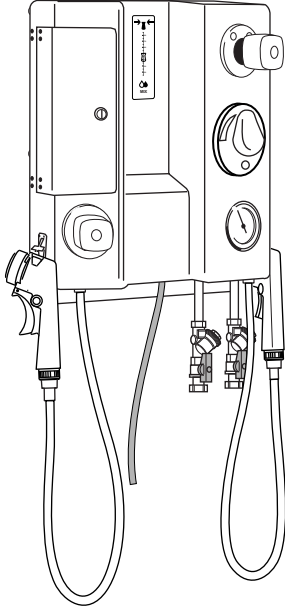
- **Always disinfect after every use.**
- **Always check the disinfectant bottle to make sure there's enough disinfectant.**
- **Check the flowmeter for correct disinfectant mix ratio at the beginning of the disinfection process.**

Check that all parts are in place. Compare with Parts designation in this IFU. If any part is missing or damaged - do NOT use the product.

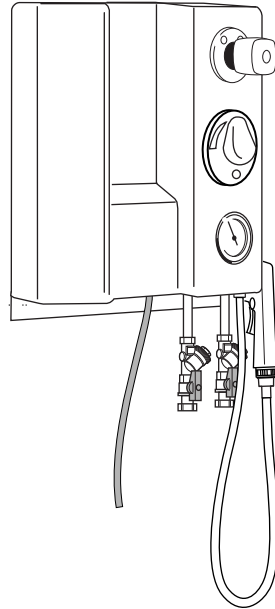
# Product models

## MODEL 1: With thermostatic mixer for shower and disinfection

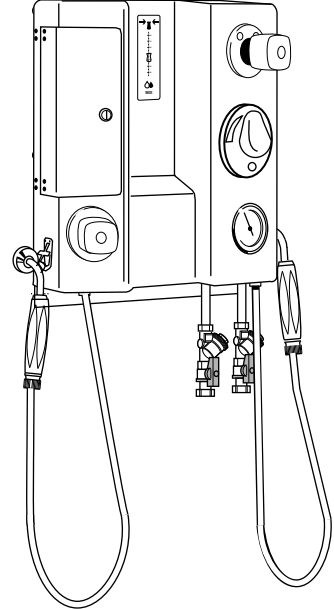
**BCA 1201-04/1204-04**



**BCA 1202-04 (GB only)**

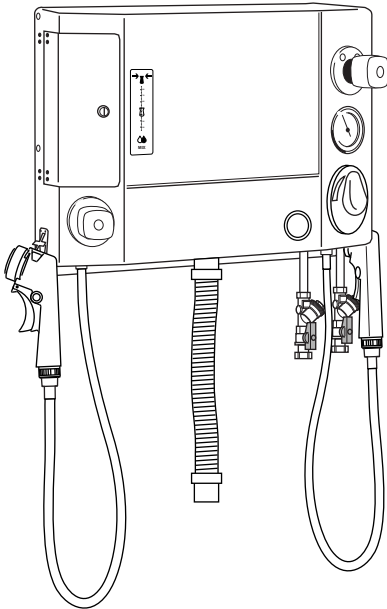


**BCA 1207-04 (France only)**

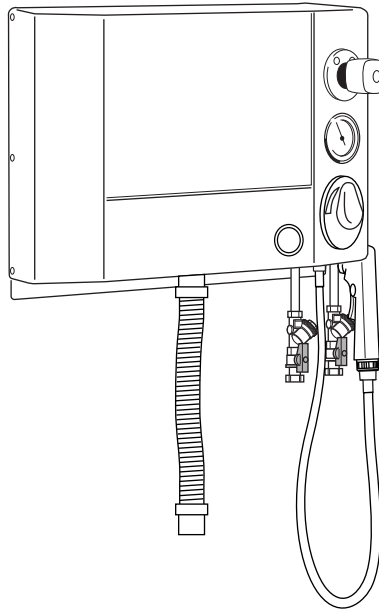


## MODEL 2: With thermostatic mixer for shower and disinfection with flush tank

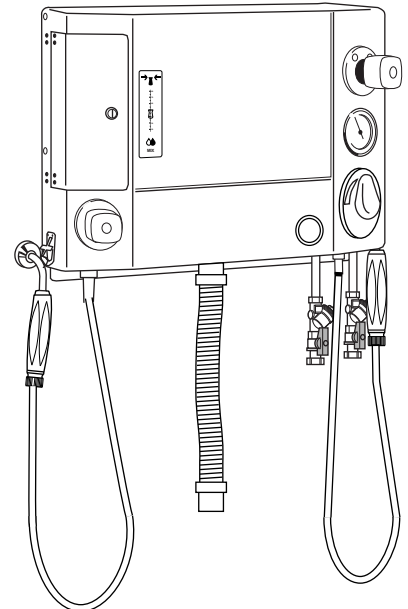
**BCA 1211-04/1214-04**



**BCA 1212-04 (GB)**

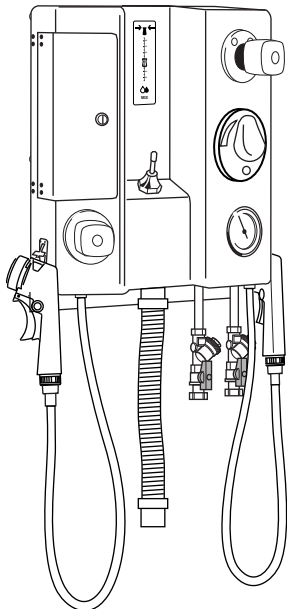


**BCA 1217-04 (France only)**

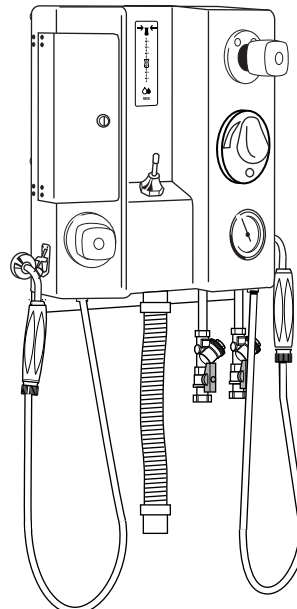


**MODEL 3: With thermostatic mixer for shower and disinfection with flush valve.**

**BCA 1221-04/1224-04**



**BCA 1227-04 (France only)**

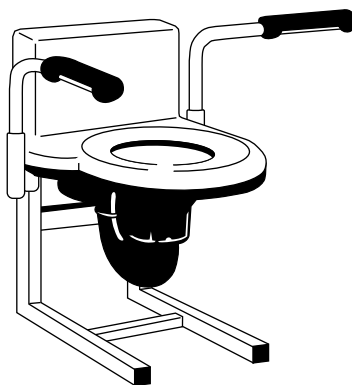


Flush sinks are available as an accessory for the following models:  
**BCA 1211-04/1212-04/1214-04/1217-04/1221-04/1224-04/1227-04.**

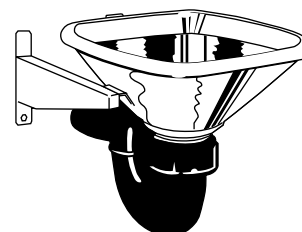
**NOTE**

**There are no flush sinks available for the Shower & Disinfection Panel model 1, since they have no flushing capability.**

Accessory option: Flush sink with toilet function.

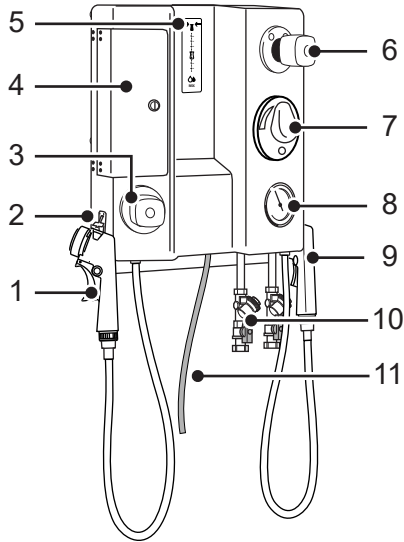


Accessory option: Flush sink made of stainless steel

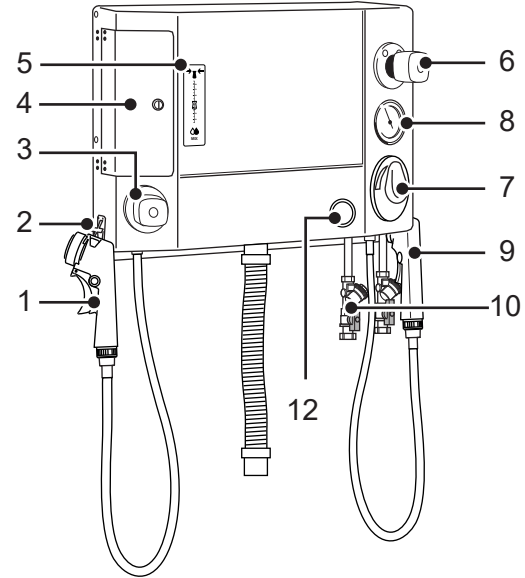


# Parts designation

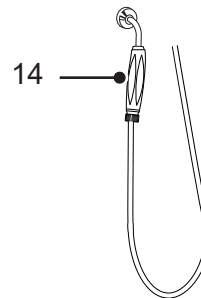
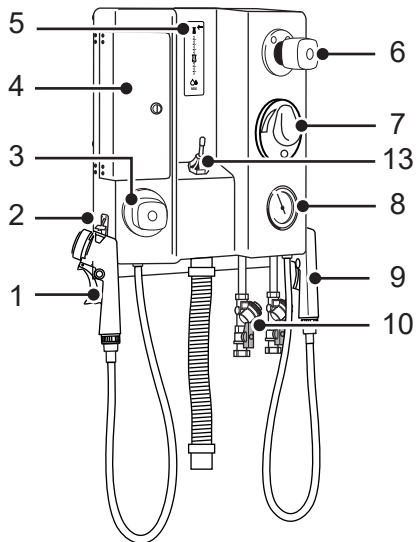
BCA1201-04/1202-04/1204-04/1207-04



BCA1211-04/1212-04/1214-04/1217-04



BCA1221-04/1224-04/1227-04

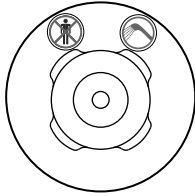


- |  |  |
|--|--|
| 1. Disinfection spray handle with trigger (not GB) | 7. Temperature control   |
| 2. Hook for disinfection spray handle              | 8. Thermometer   |
| 3. Disinfection flow control (not GB)              | 9. Shower handle with trigger (grey)   |
| 4. Lockable door for disinfectant                  | 10. Shut-off valve   |
| 5. Flowmeter (not GB)                              | 11. Hose for leakage from the back flow prevention device (not France)   |
| 6. Shower flow control                             | 12. Flush button (BCA 1211-04/1212-04/1214-04/1217-04)   |
|  | 13. Flush valve (BCA 1221-04/1224-04/1227-04)  |
|  | 14. France: Shower handle (white) or disinfection handle (red) without trigger (Replaces part number 1 and 9 on the BCA 1207-04/1217-04/1227-04) |

# Product description

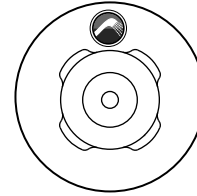
## Disinfection flow control

Turn the disinfection flow control to turn on the disinfection and adjust the disinfection flow.



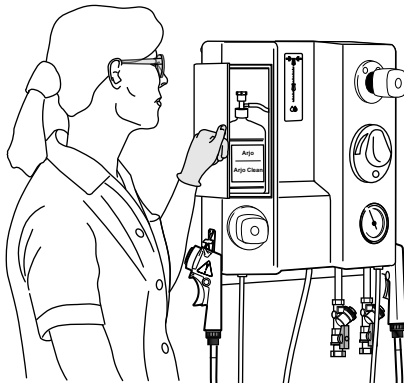
## Shower flow control

Turn the shower flow control to turn on the water and adjust the water flow.



## Lockable door for disinfectant

The disinfection compartment has a key lock. Behind the compartment door is the disinfectant bottle. Make sure to keep the door locked at all times and the key safely stored away.



## Shower/disinfection handle (France)

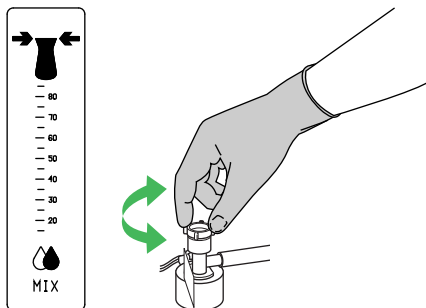
The shower handle is white and must not be mistaken by the red disinfection spray handle.



Turn on the shower/disinfection flow control and the water/disinfection flow starts.

## Flowmeter

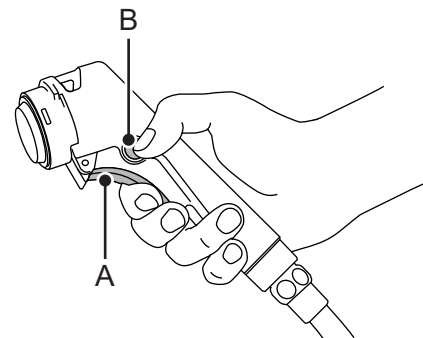
The flowmeter shows the mix ratio between the disinfectant and water. To adjust the mix ratio turn the suction part on the bottle cap. Activate disinfection and at the beginning of the disinfection process look at the flowmeter to make sure it is at the right mix ratio.



## Shower/disinfection handle (not France)

The shower handle is grey and not to be mistaken by the yellow disinfection spray handle.

1. Turn on the shower/disinfection flow control.
2. Press the trigger (A) on the shower/disinfection spray handle and the water/disinfection flow starts. Hold the trigger in for constant water flow.



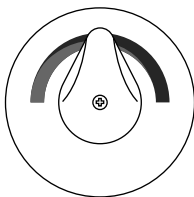
*Continued on next page*

Shower handle only: to get continuous water flow without holding in the trigger:

1. Press the trigger (A) and push the lock button (B) on the side.
2. Unlock by pressing the trigger and the lock button will pop out by itself.

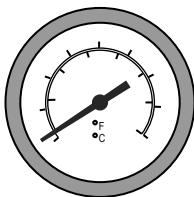
## Temperature control

Turn the temperature control to adjust the water temperature as well as the temperature of the disinfectant.



## Thermometer

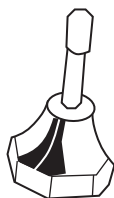
It measures the temperature of the out coming shower water as well as the disinfectant.



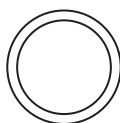
## Flush valve / Flush button

If a flush sink is connected to the Shower & Disinfection Panel it can be flushed. There are two different flush functions depending on shower model.

Move the flush valve forward or backwards.



Push the flush button.




# Shower patient in a shower chair/trolley

## (7 steps)

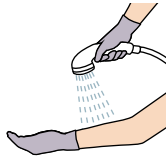
The Shower & Disinfection Panel integrates with the Arjo shower chairs/trolleys according to Allowed product combinations on page 21.

1. Move the patient to the Shower & Disinfection Panel.
2. If applicable, make sure that the drainage hole goes over the flush sink.
3. Apply the brakes and lower or raise the shower chair/trolley to a comfortable ergonomic working height.
4. Set the desired temperature (allow a few seconds for the water to reach the set / desired temperature).

5.



**WARNING**



**To prevent scalding of patient, always check the water temperature on bare skin. Direct the water flow away from the patient.**

Lift off the shower handle and direct it away from the patient.

6. Press the shower handle trigger (if any) and adjust the flow.
7. Shower the patient according to its respective shower chair/trolley IFU.

# Cleaning and disinfection

Thorough cleaning and disinfection routines are necessary to prevent the build-up of bacteria on and in the equipment and to prevent cross-contamination. This is particularly vital in cases where there is a shared facility.

## WARNING



To prevent eye and skin damage, always use protective glasses and protective gloves. If contact occurs, rinse with plenty of water. If eyes or skin become irritated, contact a physician. Always read the IFU and the Safety Data Sheet (SDS) of the disinfectant.

## WARNING

To prevent cross-contamination, always follow the cleaning and disinfection instructions in this IFU. The disinfection procedure must be carried out after every shower. No patient is allowed in the room during the disinfection procedure.

## CAUTION

Use only disinfectants specifically formulated for bathing and shower systems. Other chemicals may damage the equipment or be harmful to the patient. Polishing or corrosive agents must not be used. Do not use the following substances: Iodine, bromide, methylene blue, potassium permanganate etc. (discolouration) Citric acid, chlorine, heavy metal chlorides, petroleum based solvents, trichloroethylene, phenol based disinfectants or similar solvents (damages the plastic surfaces). Do not wash the product with a high pressure washer.

For optimal performance only use Arjo Disinfectants.

If you have any questions regarding disinfecting the equipment or wish to order disinfectant, please contact Arjo Customer Service.

## Equipment needed

- Protective gloves
- Protective glasses
- Soft bristle brush
- Disposable towels
- Cloths
- Allowed disinfectants

## Microbiological formation prevention

In order to enhance the on-site curative actions (chlorine or thermal shock), which do not guarantee a reduction of the contamination long term, make sure to follow the instructions below.

### Installation precautions

In order to limit the growth of bacterial flora, it is necessary to take action at four levels:

- Avoid stagnating water and ensure proper water circulation;
- Take precautions against the formation of scale and corrosion based on to the water quality;
- Maintain a high water temperature from production to the different distribution circuits;
- Mix hot and cold water as close as possible to the point of use.

### Use

- Make sure that the water circulates in the shower on a daily basis even if the shower is not used; and particular to make sure to remove any water that may be left behind in the hose.
- Let the water flow approximately 5 minutes before the first shower of the day.
- Clean and disinfect according to the IFU before the first shower of the day and after the shower of each patient.

Do not forget to contact Arjo for the annual Care and preventive maintenance visit.

## Replace disinfectant bottle (9 steps)



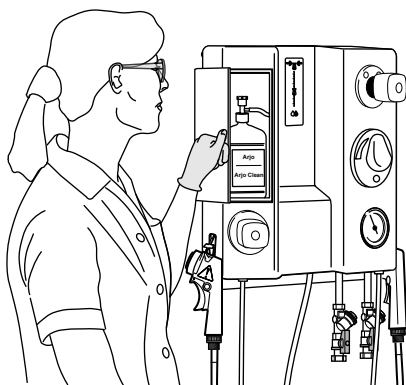
### WARNING

Do not refill the disinfectant bottles due to danger of mixing different chemicals together.

### CAUTION

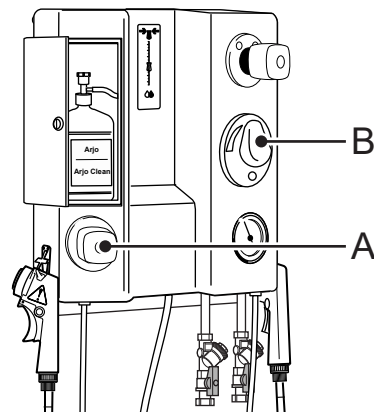
To prevent damage on the equipment only use Arjo branded disinfectants.

1. Put on protective gloves and glasses.
2. Open the compartment for the disinfectant bottle.

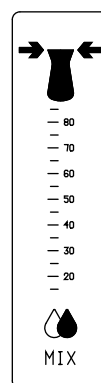


3. If the disinfectant bottle is empty, do as follows:
  - Open the bottle lock.
  - Disconnect the suction part from the bottle.
  - Discard the old bottle and replace with a new one.
  - Attach the suction part on the bottle opening.

4. Open the disinfection flow control (A) as far as it will go and set the temperature control (B) as low as possible.



5. Grab the disinfection spray handle.
6. Spray disinfectant on the shower chair/trolley and check the flowmeter.



7. Check the disinfectant mix ratio on the flowmeter so that it is in accordance with the setting range, stated in the table below.

FLOWMETER MIX RATIO	
Disinfectant	Flowmeter mix ratio
Arjo Disinfectant Cleaner	40
ArjoClean™	40
Arjo Disinfectant Cleanser IV	20
Arjo Cen-Kleen IV™	20
Arjo General Purpose Disinfectant	20

8. If necessary, turn the suction part on the bottle cap to adjust the mix ratio.

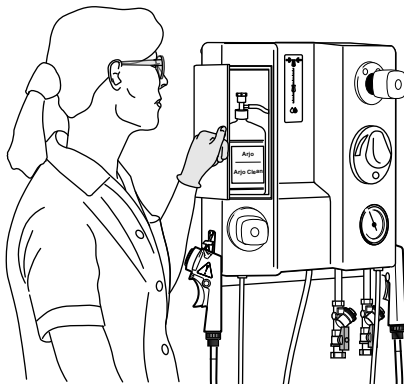
*Continued on next page*

- Adjust water temperature so that the disinfectant mixture reaches approximately 20 °C (68 °F).

## Clean and disinfect a shower chair/ trolley

### (8 steps)

- Put on protective gloves and glasses.
- Open the panel door and check that the disinfectant bottle has a sufficient supply of disinfectant.



- Check that the hose is connected to the suction part.

4.



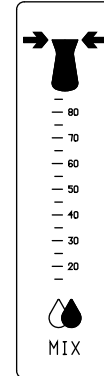
### WARNING

To prevent eye or skin irritation, never clean or disinfect in the presence of a patient.

Detach the disinfection spray handle from the hook.

- Open the disinfection flow control as far as it will go and set the temperature control as low as possible.
- Spray disinfectant on the shower chair/trolley and check the flowmeter.

- Check and if necessary adjust the disinfectant mix ratio on the flowmeter so that it is in accordance with the setting range, stated in the table in step 7 on page 15.



- Disinfect the shower chair/trolley according to its respective shower chair/trolley IFU.

# Care and preventive maintenance

Under normal use the product is subject to wear and tear. Perform the following actions when specified to make sure that the product remains within its original manufacturing specifications.



## WARNING

To prevent malfunction resulting in injury, make sure to conduct regular inspections and follow the recommended maintenance schedule. In some cases, due to heavy use of the product and exposure to aggressive environment, more frequent inspections should be carried out. Local regulations and standards may be more stringent than the recommended maintenance schedule.

## Care and preventive maintenance schedule

CAREGIVER/FACILITY OBLIGATIONS			
Actions	Every day	Every week	Every month
Clean and disinfect (not valid for GB)	•		
Visually check all exposed parts		•	
Perform a functionality test		•	
Visual check of hoses, pipes and connections		•	
Exercise the thermostatic mixer			•
Check and clean the shower head			•
Check/clean filters for incoming water			•

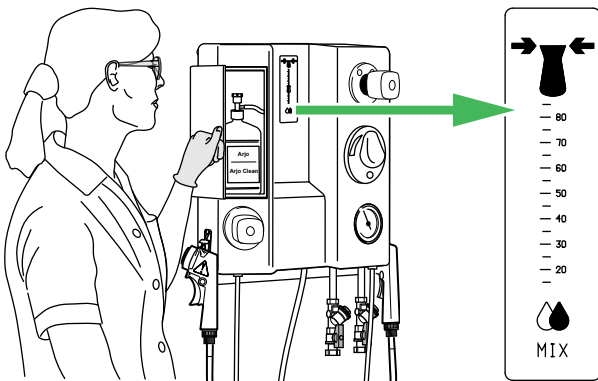
## NOTE

Caregiver/facility obligations shall be carried out by personnel with sufficient product knowledge, following the instructions in this IFU.

## Every day

### Clean and disinfect

1. Before using the disinfection system make sure that there is enough disinfectant in the bottle. At the beginning of the disinfection process make sure the disinfectant mix ratio on the flowmeter is in accordance with the setting range, stated in Replace disinfectant bottle on page 15.

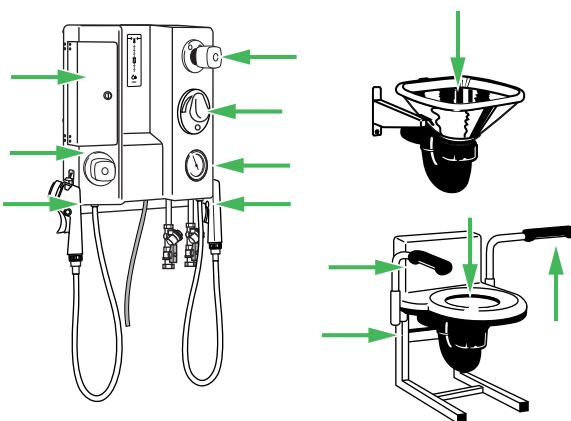


2. Clean with a soft cloth soaked with diluted disinfectant.

## Every week

### Visually check all exposed parts

- Check especially parts that are handled or touched.



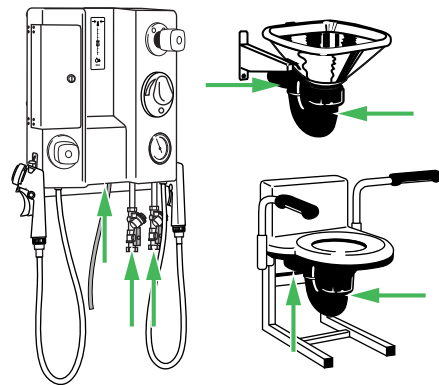
- Make sure no cracks or sharp edges have developed that could cause the patient or caregiver injury or that has become unhygienic.
- Replace damaged parts.

## Perform functionality test

1. Test all functions. Water, disinfection, temperature, shower/disinfection spray handles, flush valve and flush button.
2. With the shower/disinfection flow control open: check shower hose and shower handle for damage. Replace if damaged. The shower/disinfection handle can be replaced without Arjo support.
3. Open the disinfection flow control and spray disinfectant to check disinfection flowmeter mix ratio.

## Visual check of hoses, pipes and connections

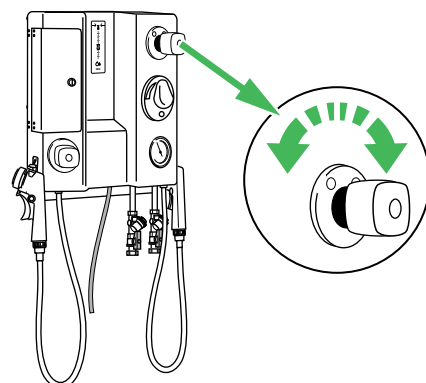
Examine shower and panel hoses so that there are no leaks.



## Every month

### Exercise the thermostatic mixer

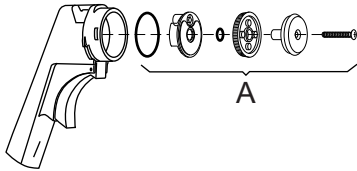
Move the temperature control on the thermostat mixer back and forth over the whole temperature range with the water turned on. This prevents lime deposits, particularly in areas with hard water.



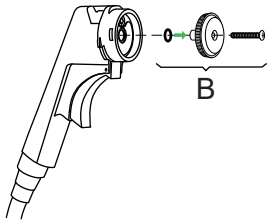
### Check and clean the shower head

The illustrations and instructions only apply to the regular handle and not the French handle.

1. Loosen the screw.
2. Remove the parts according to (A) the illustration.



3. Clean carefully.
4. Re-assemble. The parts (B) must be assembled before set into the handle.



5. Tighten the screw carefully.

### Check and clean filters for incoming water

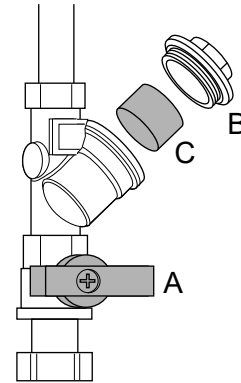
A shut-off valve with a filter is mounted on each of the two water supply hoses. The filter in both valves should be rinsed in the order listed below.



#### WARNING

**Pressurised system and a risk of scalding. Make sure that the shut-off valve is closed before removing the cap, this is especially important for the hot water shut-off valve.**

1. Close the shut-off valves (A). The handles (red for hot water and blue for cold) should be in a cross position.



2. Remove the caps (B) with a wrench.
3. Pull out the filters (C) and clean them carefully in water.
4. Reassemble.
5. Open the shut-off valves.

## Actions by qualified service personnel only



### WARNING

To prevent injury and/or unsafe product, the maintenance activities must be carried out at the correct frequency by qualified service personnel using correct tools, parts and knowledge of procedures. Qualified service personnel must have documented training in maintenance of this product.

### ACTIONS BY QUALIFIED SERVICE PERSONNEL

Actions	Every year	Every 5th years
Check and if necessary adjust thermostatic mixer and thermometer	•	
Check/clean filters, incoming water	•	
Check/change seal kit or complete shower handle	•	
Check/replace flow restrictors	•	
Check valve, replace if necessary	•	
Check hoses and connections for leaks and damage	•	
Perform full feature functionality test	•	
Check all vital parts for corrosion/damage	•	
Check mechanical attachments	•	
Check that the latest updates have been implemented	•	
Check dosage disinfection (not valid for GB)	•	
Check back flow prevention	•	
Replace all pressurized water hoses		•

### NOTE

All Caregiver Obligations are to be checked when performing the Qualified Personnel Service.


# Technical specifications

GENERAL	
Weight	14 kg (31 lb) without flush 22 kg (49 lb) with flush tank 14 kg (31 lb) with flush valve
Width	455 mm (17 7/8 in) without flush 750 mm (29 1/2 in) with flush tank 455 mm (17 7/8 in) with flush valve
Height	510 mm (20 in)
Depth	190 mm (7 1/2 in)

THERMOMETER	
Range	20-60 °C (68-140 °F)
Accuracy	+/-2 °C (3.6 °F)
Resolution	0.5 °C (0.9 °F)

WATER SUPPLY REQUIREMENTS	
Cold water	G3/4" male (customers connection)
Warm water	G3/4" male (customers connection)
Connect with shut off valves, 3/4" connection	
Maximum static pressure	6 bar (600 kPa, 87 psi)
Minimum operating pressure with disinfection	2 bar (200 kPa, 29 psi)
Minimum operating pressure without disinfection	0.8 bar (80 kPa, 12 psi)
Minimum operating pressure (for BCA122X-04)	2 bar (200 kPa, 29 psi)
Minimum flow	20 l/minute (5.3 US gallon/minute)
Recommended cold water temperature	2 °C - 20 °C (36 °F - 68 °F)
Recommended hot water temperature	60 °C - 80 °C (140 °F - 176 °F)

WATER DRAINAGE REQUIREMENTS	
Minimum drainage capacity - Shower & Disinfection Panel	25 l/minute (6.6 US gallon/minute)
Minimum drainage capacity - Flush sinks	100 l/minute (26.4 US gallon/minute) DIV 110

ALLOWED PRODUCT COMBINATIONS	
 <b>WARNING</b> <b>To prevent injury, always follow the allowed combinations listed in this IFU. No other combinations are allowed.</b>	

*Continued on next page*

## ALLOWED PRODUCT COMBINATIONS

The Shower & Disinfection Panels integrate with the following Arjo products	Carendo Carevo Carino Carmina Concerto/Basic Prelude
---	---

## OPERATING CONDITIONS

Ambient temperature	10 °C – 40 °C (50 °F – 104 °F)
Relative humidity	15 – 100 % at 20 °C (68 °F)
Atmospheric pressure	800 hPa – 1060 hPa

## TRANSPORT AND STORAGE CONDITIONS

Ambient temperature	-20 °C to 70 °C (-4 °F to 158 °F)
Relative humidity	10 % - 80 % at 20 °C (68 °F)
Atmospheric pressure	500-1100 hPa

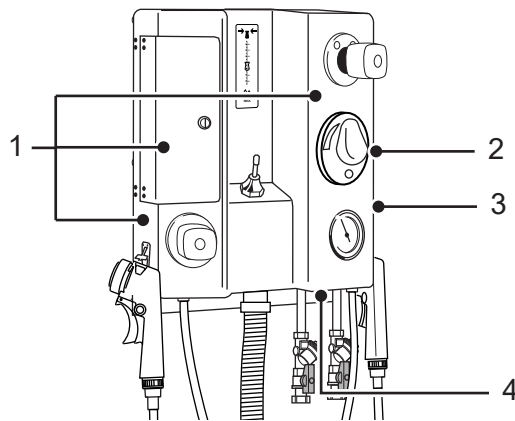
## END OF LIFE DISPOSAL

Equipment that has electrical and electronic components should be disassembled and recycled per Waste of Electrical and Electronic Equipment (WEEE) or in accordance with national or local regulations.

If you have extra liquid, it's safe to pour it down the drain with running water. These products are water-soluble and usually mixed with water when used for cleaning. Your municipality will treat these cleaners the same way they would if you used them for cleaning.

The packaging containers should be recycled according to national or local regulations.

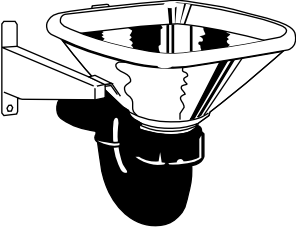
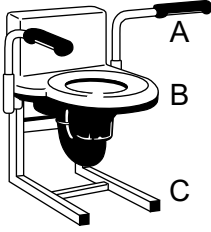
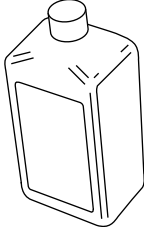
# Labels



- 1. Attention Labels - Reminds about calibration, disinfectant concentration and read the IFU.
- 2. Identification Label - States the product identification.
- 3. Data Label - States technical performance and requirements, e.g. classified safety standard and input voltage.
- 4. KIWA label

SYMBOL EXPLANATION	
	Refer to instruction manual/ booklet - Instructions for use should be read.
	Name and address of the manufacturer
	General warning
	CE marking indicating conformity with European Community harmonised legislation. Figures indicate Notified Body supervision.
	Indicates that the product is a Medical Device according to EU Medical Device Regulation 2017/745.
	Unique device identifier
	Separate electrical and electronic components for recycling in accordance with the European Directive 2012/19/EU (WEEE)
IPX4	X: The protection against ingress of solid foreign objects is not specified for this product. 4: Protected against splashing water.
	KIWA safety mark indicating compliance to EN 1717 and evaluation to KIWA BRL-K14011

## Parts and accessories

		
<p>Flush sink (stainless) 080015-53 (P-trap) 080015-54 (S-trap)</p>	<p>Flush sink with toilet function A: Support handle: 100837-04 B: Flush sink: 080090-0453 (P-trap), 080090-0454 (S-trap) C: Support frame: 100836-04</p>	<p>Disinfectant Contact local Arjo representative</p>

Intentionally left blank

Intentionally left blank

**AUSTRALIA**

Arjo Australia Pty Ltd 4/2  
Southridge St, Eastern Creek NSW 2766  
Phone: +800 072 040  
E-mail: customerservice-au@arjo.com

**BELGIQUE / BELGIË**

Arjo Belgium  
Evenbroekveld 16  
9420 Erpe-Mere  
Phone: +32 (0) 53 60 73 80  
Fax: +32 (0) 53 60 73 81  
E-mail: info.belgium@arjo.com

**BRASIL**

Arjo Brasil Equipamentos Médicos Ltda  
Avenida Piraiba, 352, Sala 18  
Centro Comercial Jubran - Barueri/SP – Brazil  
CEP: 06460-121  
Phone: 55-11-3588-5088  
E-mail: vendas.latam@arjo.com  
E-mail: servicios.latam@arjo.com

**CANADA**

Arjo Canada Inc.  
90 Matheson Boulevard West  
Suite 350  
CA-MISSISSAUGA, ON, L5R 3R3  
Tel/Tél: +1 905 238 7880  
Free: +1 (800) 665-4831  
Fax: +1 (905) 238-7881  
E-mail: info.canada@arjo.com

**ČESKÁ REPUBLIKA**

Arjo Czech Republic s.r.o.  
Škrátova 490/12  
120 00 Praha 2  
Czech Republic  
Phone No: +420225092307  
E-mail: info.cz@arjo.com

**DANMARK**

Arjo A/S  
Industriparken 21A  
2750 BALLERUP, Denmark  
Tel: +45 49 13 84 86  
Fax: +45 49 13 84 87  
E-mail: dk\_kundeservice@arjo.com

**DEUTSCHLAND**

Arjo GmbH  
Peter-Sander-Strasse 10  
DE-55252 MAINZ-KASTEL  
Tel: +49 (0) 6134 186 0  
Fax: +49 (0) 6134 186 160  
E-mail: info-de@arjo.com

**ESPAÑA**

ARJO IBERIA S.L.  
Poligono Can Salvatella  
c/ Cabanyes 1-7  
08210 Barberà del Valles  
Barcelona - Spain  
Telefono 1: +34 900 921 850  
Telefono 2: +34 931 315 999

**FRANCE**

Arjo France  
10 Rue Denis Papin  
CS 62535  
59652 VILLENEUVE D'ASCQ CEDEX  
Tél: +33 (0) 3 20 28 13 13  
Fax: +33 (0) 3 20 28 13 14  
E-mail: info.france@arjo.com

**HONG KONG**

Arjo Hong Kong Limited  
Room 411-414, 4/F, Manhattan Centre,  
8 Kwai Cheong Road, Kwai Chung, N.T.,  
HONG KONG  
Tel: +852 2960 7600  
Fax: +852 2960 1711

**ITALIA**

Arjo Italia S.p.A.  
Via Giacomo Peroni 400-402  
IT-00131 ROMA  
Tel: +39 (0) 6 87426211  
Fax: +39 (0) 6 87426222  
E-mail: Italy.promo@arjo.com

**MIDDLE EAST**

Arjo Middle East FZ-LLC  
Office 908, 9th Floor,  
HQ Building, North Tower,  
Dubai Science Park,  
Al Barsha South  
P.O Box 11488, Dubai,  
United Arab Emirates  
Direct +971 487 48053  
Fax +971 487 48072  
Email: Info.ME@arjo.com

**NEDERLAND**

Arjo Nederland BV  
Biezenwei 21  
4004 MB TIEL  
Postbus 6116  
4000 HC TIEL  
Tel: +31 (0) 344 64 08 00  
Fax: +31 (0) 344 64 08 85  
E-mail: info.nl@arjo.com

**NEW ZEALAND**

Arjo Ltd  
34 Vestey Drive  
Mount Wellington  
NZ-AUCKLAND 1060  
Tel: +64 (0) 9 573 5344  
Free Call: 0800 000 151  
Fax: +64 (0) 9 573 5384  
E-mail: nz.info@Arjo.com

**NORGE**

Arjo Norway AS  
Olaf Helsets vei 5  
N-0694 OSLO  
Tel: +47 22 08 00 50  
Faks: +47 22 08 00 51  
E-mail: no.kundeservice@arjo.com

**ÖSTERREICH**

Arjo Austria GmbH  
Lemböckgasse 49 / Stiege A / 4.OG  
A-1230 Wien  
Tel: +43 1 8 66 56  
Fax: +43 1 866 56 7000

**POLSKA**

Arjo Polska Sp. z o.o.  
ul. Ks Piotra Wawrzyniaka 2  
PL-62-052 KOMORNIKI (Poznań)  
Tel: +48 691 119 999  
E-mail: arjo@arjo.com

**PORTUGAL**

Arjo em Portugal  
MAQUET Portugal, Lda.  
(Distribuidor Exclusivo)  
Rua Poeta Bocage n.º 2 - 2G  
PT-1600-233 Lisboa  
Tel: +351 214 189 815  
Fax: +351 214 177 413  
E-mail: Portugal@arjo.com

**SUISSE / SCHWEIZ**

Arjo Switzerland AG  
Zelglimatte 3 / Haus H  
6260 Reiden  
Switzerland  
Tél/Tel: +41 (0) 61 337 97 77  
Fax: +41 (0) 61 311 97 42

**SUOMI**

Arjo Scandinavia AB  
Riihitontuntie 7 C  
02200 Espoo  
Finland  
Puh: +358 9 6824 1260  
E-mail: Asiakaspalvelu.finland@arjo.com

**SVERIGE**

Arjo International HQ  
Hans Michelsensgatan 10  
SE-211 20 MALMÖ  
Tel: +46 (0) 10 494 7760  
Fax: +46 (0) 10 494 7761  
E-mail: kundservice@arjo.com

**UNITED KINGDOM**

Arjo UK and Ireland  
Houghton Hall Park  
Houghton Regis  
UK-DUNSTABLE LU5 5XF  
Tel: +44 (0) 1582 745 700  
Fax: +44 (0) 1582 745 745  
E-mail: sales.admin@arjo.com

**USA**

Arjo Inc.  
2349 W Lake Street Suite 250  
US-Addison, IL 60101  
Tel: +1 (630) 307-2756  
Free: +1 (800) 323-1245  
Fax: +1 (630) 307 6195  
E-mail: us.info@arjo.com

**JAPAN**

Arjo Japan K.K.  
東京都港区虎ノ門三丁目7番8号  
ランディック第2虎ノ門ビル9階  
Tel: +81 (0)3-6435-6401  
Fax: +81 (0)3-6435-6402  
E-mail: info.japan@arjo.com  
www.arjo.com

Address page Rev 35 • 2025-07

At Arjo, we believe that empowering movement within healthcare environments is essential to quality care. Our products and solutions are designed to promote a safe and dignified experience through patient handling, medical beds, personal hygiene, disinfection, diagnostics, and the prevention of pressure injuries and venous thromboembolism. With over 6500 people worldwide and 65 years caring for patients and healthcare professionals, we are committed to driving healthier outcomes for people facing mobility challenges.



ArjoHuntleigh AB  
Hans Michelsensgatan 10  
211 20 Malmö, Sweden  
[www.arjo.com](http://www.arjo.com)

**arjo**

**CE**  
2797