

INSTRUCTIONS FOR USE

Shower & Disinfection Panel



WARNING

To avoid injury, always read this Instruction for Use and accompanying documents before using the product.

Design Policy and Copyright

® and ™ are trademarks belonging to the Arjo group of companies.

© Arjo 2023.

As our policy is one of continuous improvement, we reserve the right to modify designs without prior notice. The content of this publication may not be copied either whole or in part without the consent of Arjo.

Contents

Contents	3
Foreword	4
Intended Use	5
Safety Instructions	6
Preparations	7
Product Models	8
Parts Designation	10
Product Description/Functions	12
Disinfection Flow Control	12
Lockable Door for Disinfectant	12
Flow Meter	12
Shower Handle	12
Shower Flow Control	13
Temperature Control	13
Thermometer	13
Flushing Valve / Flush Button	13
Shower Patient in a Shower Chair/Trolley	14
Cleaning and Disinfection Instructions	15
Care and Preventive Maintenance	19
Technical Specifications	23
Labels	25
Accessories	26

Foreword

Thank you for purchasing Arjo equipment.

Your *Shower & Disinfection Panel* is a part of a series of quality products designed especially for hospitals, nursing homes and other health care use.

Please contact us if you have any questions about the operation or maintenance of your Arjo equipment.

Please read this *Instructions for Use* thoroughly!

Please read this *Instructions for Use (IFU)* in its entirety before using your *Shower & Disinfection Panel*.

Information in this *IFU* is crucial to the proper operation and maintenance of the equipment, and will help protect your product and make sure that equipment performs to your satisfaction. Some of the information in this *IFU* is important for your safety and must be read and understood to help prevent possible injury. Arjo strongly advise and warn that only Arjo designed parts, which are designed for the purpose, should be used on equipment and other appliances supplied by Arjo, to avoid injuries attributable to the use of inadequate parts.

Unauthorized modifications on any Arjo equipment may affect its safety. Arjo will not be held responsible for any accidents, incidents or lack of performance that occur as a result of any unauthorized modification to its products.

Serious incident

If a serious incident occurs in relation to this medical device, affecting the user, or the patient then the user or patient should report the serious incident to the medical device manufacturer or the distributor. In the European Union, the user should also report the serious incident to the Competent Authority in the member state where they are located.

Service and Support

A service routine must be performed on your *Shower & Disinfection Panel* every year by Arjo authorized service personnel to ensure the safety and daily operation of your product. See section *Care and Preventive Maintenance on page 19*.

If you require further information, please contact Arjo for comprehensive support and service programs to maximize the long-term safety, reliability and value of the product.

Contact your local Arjo representative for replacement parts. The contact is found on the last page of the IFU.

Definitions in this *IFU*

WARNING

Means:

Safety warning. Failure to understand and obey this warning may result in injury to you or to others.

CAUTION

Means:

Failure to follow these instructions may cause damage to all or parts of the system or equipment.

NOTE

Means:

This is important information for the correct use of this system or equipment.



Means:

The name and address of the manufacturer.

Intended Use

This equipment must be used in line with its intended use and in accordance with these safety instructions. Anyone using this equipment must also have read and understood the instructions in this *Instructions for Use (IFU)*.

If there is anything you are not sure about, contact your Arjo representative.

This equipment is intended for showering hospital or care facility residents under the supervision of trained skilled nursing staff in accordance with the instructions outlined in the IFU.

For equipment fitted with a disinfection device, such equipment must be disinfected according to the instructions established in this IFU.

The *Shower Panel* should only be used for the purpose specified in this Instructions for Use. Any other use is prohibited.

Installation & Service Requirements

The equipment must only be used for the purposes stated, and must be installed according to the *Assembly and installation Instructions*, which can only be superseded by local code.

Expected service life

The life span of this equipment, unless otherwise stated, is ten (10) years. Subject to preventive maintenance being carried out in accordance with the instructions for *Care and Preventive Maintenance* found in this *IFU*.

Safety Instructions

WARNING

This equipment is not suitable for use in presence of flammable medical and/ or anaesthetic gases due to a fire risk.

WARNING

Modifications made to the equipment or use of incompatible parts without expressed written consent of Arjo will invalidate the supplier's product liability. This can compromise the safety of resident and caregiver.

WARNING

Make sure to check the flow meter for correct disinfectant mix ratio at the beginning of the disinfection process. Not following this instruction can cause cross-contamination.

WARNING

Failure to clean equipment according to instructions can cause cross-contamination. Make sure that there is enough disinfectant in the bottle.

WARNING

Make sure to refer to the compatible products *IFU* when using it together with the *Shower & Disinfection Panel*, to avoid bodily injury.

Preparations

Actions Before the First Use

(10 steps)

- 1 Visually check the package for damage. If the product looks damaged due to freight, make a complaint to the transport agency.
- 2 The packaging should be recycled according to local regulations.
- 3 Install the *Shower & Disinfection Panel* by qualified personnel. See separate *Assembly and Installation Instructions*.
- 4 Check that all parts of the product are supplied. Compare to section *Parts Designation on page 10*. If any part is missing or damaged - DO NOT use the product.
- 5 Read the *IFU*.
- 6 Clean the product according to section *Cleaning and Disinfection Instructions on page 15*.
- 7 Perform a functionality test according to section *Care and Preventive Maintenance on page 19*.
- 8 Choose a designated area, where the *IFU* should be kept and is easily accessible at all times.

9 **WARNING**

To prevent scalding, make sure that the water mixer has been calibrated. Confirm that responsible organization has established calibration routines.

Make sure the *Shower & Disinfection Panel* thermostatic mixer has been calibrated according to the *Assembly and Installation Instructions* by qualified personnel or an Arjo technician.

- 10 Make sure to have a rescue plan ready in case of a patient emergency.

NOTE

If you have any questions, please contact your local Arjo representative for support and service. The contact number appears on the last page of this IFU.

Actions Before Every Use

(2 steps)

- 1 Check that all parts are in place. Compare to section *Parts Designation on page 10*.
- 2 If any part is missing or damaged - DO NOT use the product

WARNING

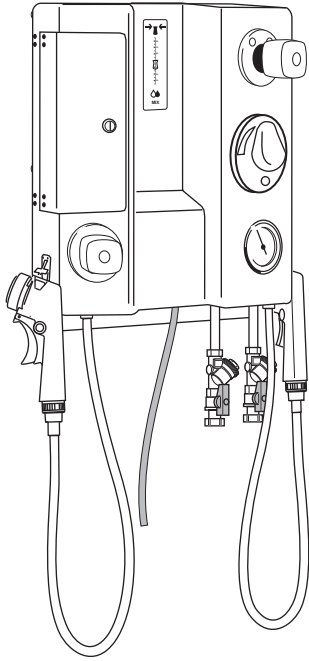
To prevent cross-contamination:

- **always disinfect after every use,**
- **always check the disinfectant bottle to make sure there's enough disinfectant and**
- **check the flow meter for correct disinfectant mix ratio at the beginning of the disinfection process.**

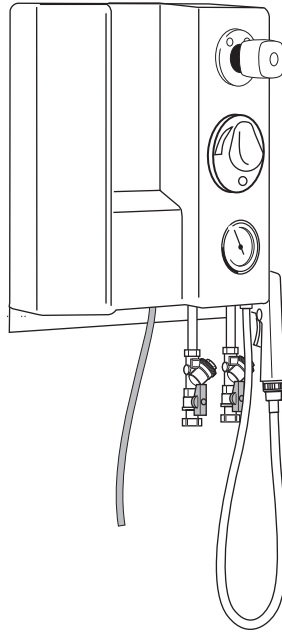
Product Models

MODEL 1: With thermostatic mixer for shower and disinfection.

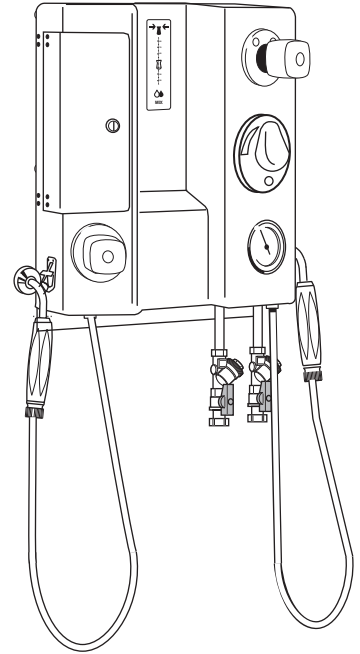
BCA 1201-04/1204-04



BCA 1202-04 (GB only)

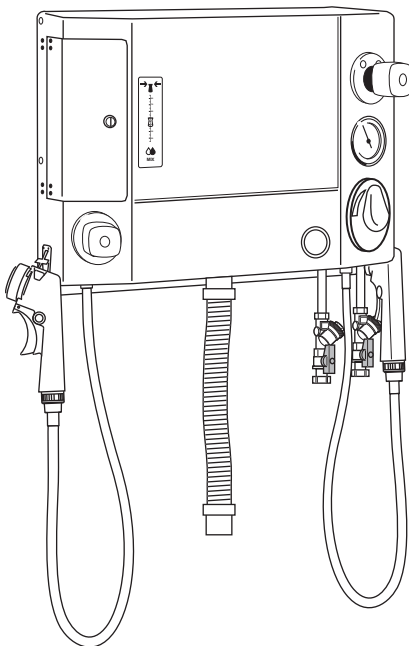


BCA 1207-04 (France only)

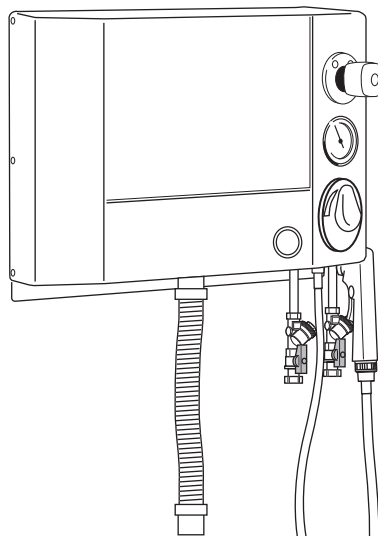


MODEL 2: With thermostatic mixer for shower and disinfection with flush tank.

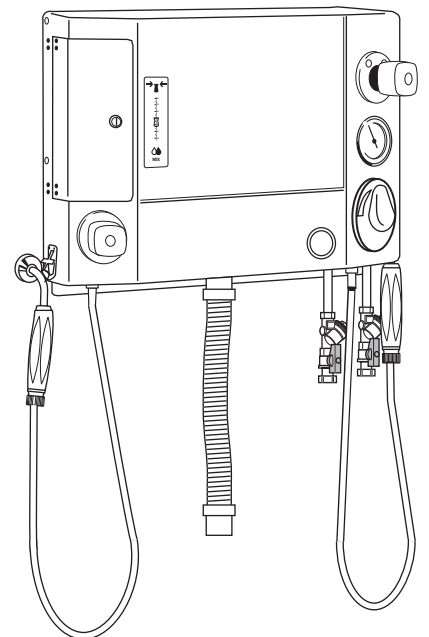
BCA 1211-04/1214-04



BCA 1212-04 (GB only)

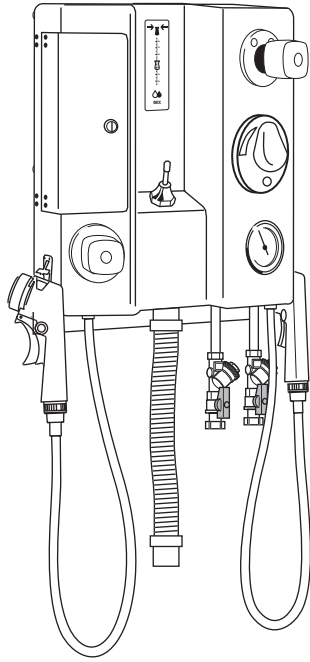


BCA 1217-04 (France only)

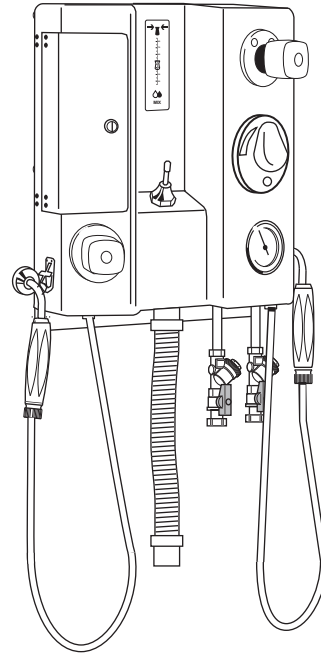


MODEL 3: With thermostatic mixer for shower and disinfection with flush valve.

BCA 1221-04/1224-04



BCA 1227-04 (France only)



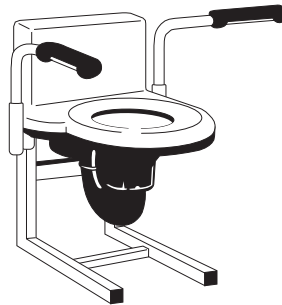
Flush sinks are available as an accessory for the following models: **BCA 1211-04/1212-04/1214-04/1217-04/1221-04/1224-04/1227-04.**

NOTE

There are no flush sinks available for the *Shower & Disinfection Panel* model 1, since they have no flushing capability.

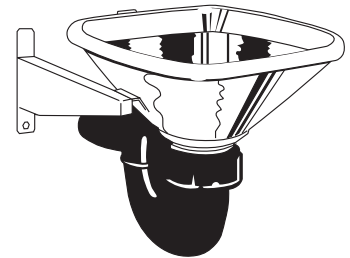
Accessory option:

Flush sink with toilet function.



Accessory option:

Flush sink made of stainless steel

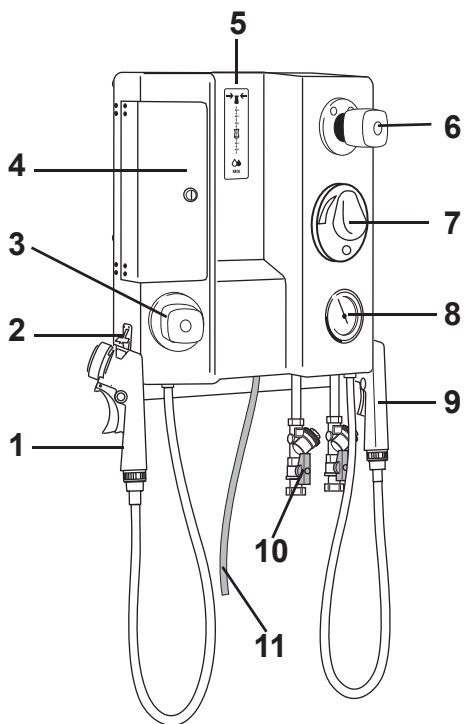


Parts Designation

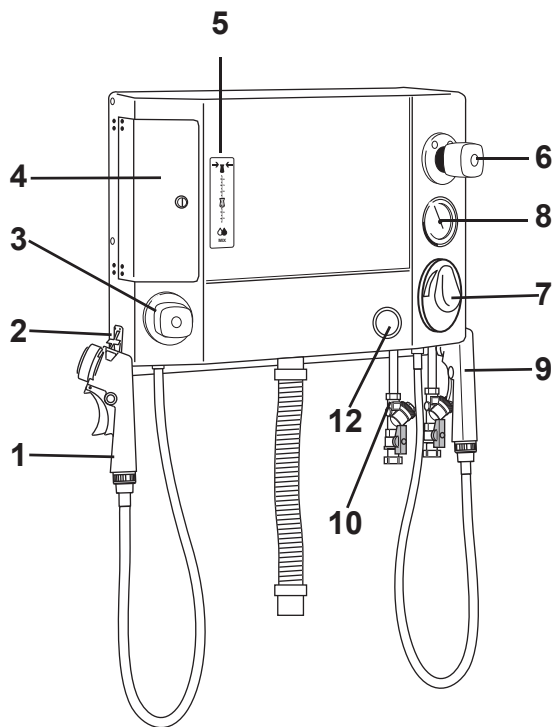
Shower & Disinfection Panels include the following parts:

- 1 Disinfection spray handle with trigger (not GB)
- 2 Hook for disinfection spray handle
- 3 Disinfection flow control (not GB)
- 4 Lockable door for disinfectant
- 5 Flow meter (not GB)
- 6 Shower flow control
- 7 Temperature control
- 8 Thermometer
- 9 Shower handle with trigger (grey)
- 10 Shut-off valve
- 11 Hose for leakage from the back flow prevention device (not France)
- 12 Flush button (*BCA 1211-04/1212-04/1214-04/1217-04*)
- 13 Flush valve (*BCA 1221-04/1224-04/1227-04*)
- 14 France: Shower handle (white) or disinfection handle (red) without trigger (*Replaces part number 1 and 9 on the BCA 1207-04/1217-04/1227-04*)
- 15 Flush sink - stainless steel (*Accessory*) (*Not available for BCA 1201-04/1202-04/1204-04/1207-04*)
- 16 Flush sink - toilet function (*Accessory*) (*Not available for BCA 1201-04/1202-04/1204-04/1207-04*)

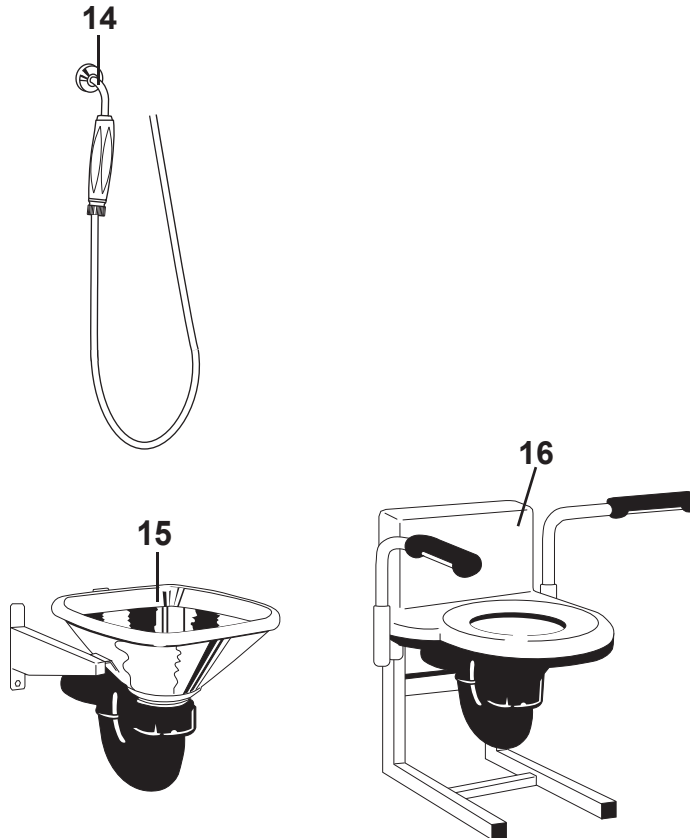
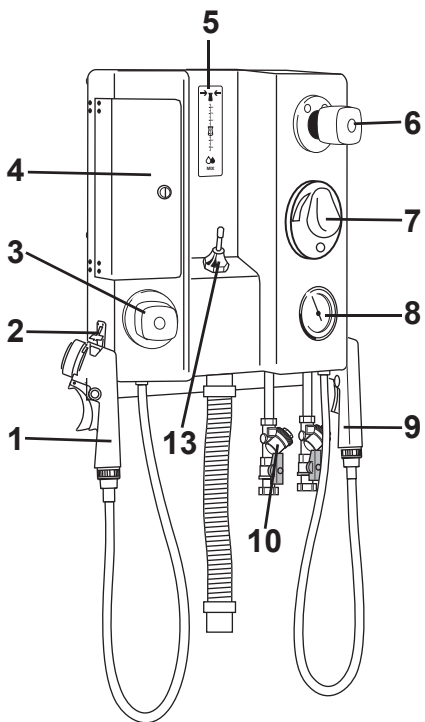
BCA1201-04/1202-04/1204-04/1207-04



BCA1211-04/1212-04/1214-04/1217-04



BCA1221-04/1224-04/1227-04



Product Description/Functions

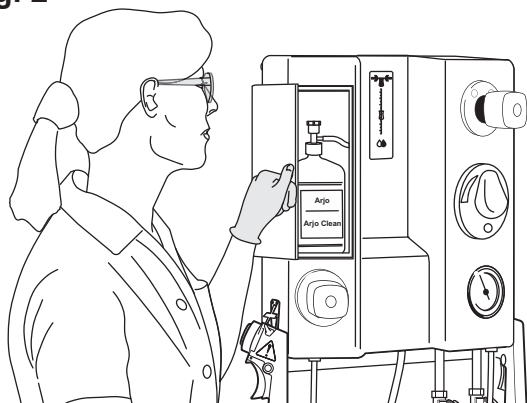
Fig. 1



Disinfection Flow Control

Turn the disinfection flow control to turn on the disinfection and adjust the disinfection flow. (See Fig. 1)

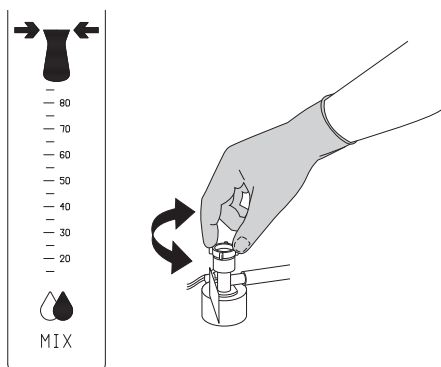
Fig. 2



Lockable Door for Disinfectant

The disinfection compartment has a key lock. Behind the compartment door is the disinfectant bottle. Make sure to keep the door locked at all times and the key safely stored away. (See Fig. 2)

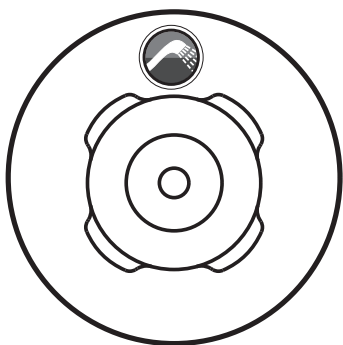
Fig. 3



Flow Meter

The flow meter shows the mix ratio between the disinfectant and water. To adjust the mix ratio turn the suction part on the bottle cap. Activate disinfection and at the beginning of the disinfection process look at the flow meter to make sure it is at the right mix ratio. (See Fig. 3)

Fig. 4



Shower Flow Control

Turn the shower flow control to turn on the water and adjust the water flow. (See Fig. 4)

Fig. 5

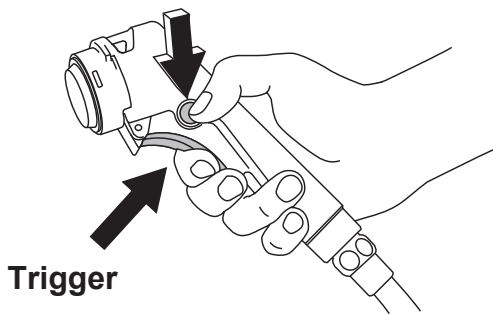


Shower/Disinfection Handle (France)

The shower handle is white and must not be mistaken by the red disinfection spray handle. (See Fig. 5)

Turn on the shower/disinfection flow control and the water/disinfection flow starts.

Fig. 6 Lock Button



Shower/Disinfection Handle (not France)

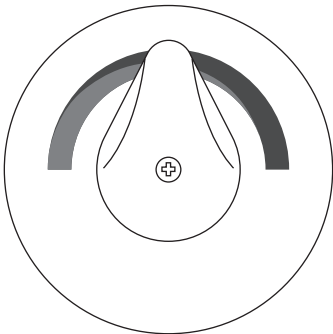
The shower handle is grey and not to be mistaken by the yellow disinfection spray handle. (See Fig. 6)

- 1 Turn on the shower/disinfection flow control.
- 2 Press the trigger on the shower/disinfection spray handle and the water/disinfection flow starts. Hold the trigger in for constant water flow.

Shower handle only: to get continues water flow without holding in the trigger:

- 1 Press the trigger and push the lock button on the side.
- 2 Unlock by pressing the trigger and the lock button will pop out by itself.

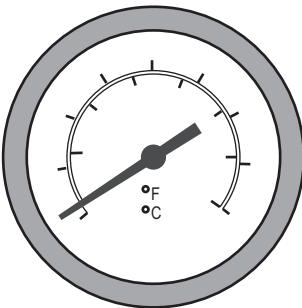
Fig. 7



Temperature Control

Turn the temperature control to adjust the water temperature as well as the temperature of the disinfectant. (See Fig. 7)

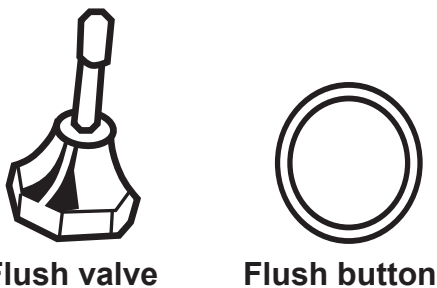
Fig. 8



Thermometer

It measures the temperature of the out coming shower water as well as the disinfectant. (See Fig. 8)

Fig. 9



Flushing Valve / Flush Button

There are two different flush functions depending on shower model. (See Fig. 9)

If a flush sink is connected to the *Shower & Disinfection Panel* it can be flushed by either:

- moving the flushing valve forward or backwards or
- pushing the Flush button.

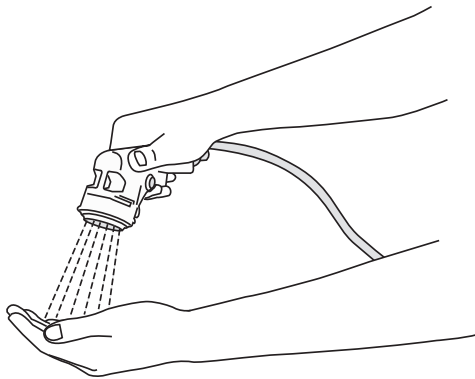
Shower Patient in a Shower Chair/Trolley

The *Shower & Disinfection Panel* integrates with the Arjo shower chairs/trolleys according to section *Technical Specifications on page 23*.

Follow these 7 steps.

- 1 Move the patient to the *Shower & Disinfection Panel*.
- 2 If applicable, make sure that the drainage hole goes over the flush sink.
- 3 Apply the brakes and lower or raise the shower chair/trolley to a comfortable ergonomic working height.
- 4 Set the desired temperature (allow a few seconds for the water to reach the set /desired temperature).
- 5 Lift off the shower handle and direct it away from the patient.

Fig. 1



6 **WARNING**

To prevent scalding, always check the water temperature with your naked hand before directing the water on the patient. (See Fig. 1)

Do not use gloves as it may insulate to the extent that the water temperature can be misjudged. Point the flow of water away from the patient.

Press the shower handle trigger (if any) and adjust the flow.

- 7 Shower the patient according to its respective shower chair/trolley *IFU*.

Cleaning and Disinfection Instructions

Thorough cleaning and disinfection routines are necessary to prevent the build-up of bacteria on and in the equipment and to prevent cross-contamination. This is particularly vital in cases where there is a shared facility.

WARNING



To avoid eye and skin damage, always use protective glasses and gloves. If contact occurs rinse with plenty of water. If eyes or skin becomes irritated, contact a physician. Always read the IFU and the Material Safety Data Sheet (MSDS) of the disinfectant.

CAUTION

Use only disinfectants specifically formulated for bathing and shower systems. Other chemicals may damage the equipment or be harmful to the patient. Polishing or corrosive agents must not be used. Do not use the following substances: Iodine, bromide, methylene blue, potassium permanganate etc. (discolouration) Citric acid, chlorine, heavy metal chlorides, petroleum based solvents, trichloroethylene, phenol based disinfectants or similar solvents (damages the plastic surfaces).

Do not wash the product with a high pressure washer.

For optimal performance only use Arjo Disinfectants such as *Arjo Clean*TM.

If you have any questions regarding disinfecting the equipment or wish to order disinfectant, please contact your Arjo Customer Service.

WARNING

The disinfection procedure must be carried out after every shower. No patient is allowed in the room during the disinfection procedure.

Failure to clean equipment according to instructions can cause cross-contamination.

Accessories for Disinfecting the Equipment.

- Protective gloves.
- Protective eye wear
- Soft bristle brush
- Cloth or paper towels
- Disinfectant

Microbiological Formation Prevention

In order to enhance the on-site curative actions (chlorine or thermal shock), which do not guarantee a reduction of the contamination long term, make sure to follow the instructions below.

Installation precautions

In order to limit the growth of bacterial flora, it is necessary to take action at four levels:

- Avoid stagnating water and ensure proper water circulation;
- Take precautions against the formation of scale and corrosion based on to the water quality;
- Maintain a high water temperature from production to the different distribution circuits;
- Mix hot and cold water as close as possible to the point of use.

Use

- Make sure that the water circulates in the shower on a daily basis even if the shower is not used; and particular to make sure to remove any water that may be left behind in the hose.
- Let the water flow approximately 5 minutes before the first shower of the day.
- Clean and disinfect according to the IFU before the first shower of the day and after the shower of each patient.

Do not forget to contact Arjo for the annual Care and Preventive Maintenance visit.

Replace Disinfectant Bottle (9 steps)

WARNING

Do not refill the disinfectant bottles due to danger of mixing different chemicals together.

CAUTION

To prevent equipment surface damage only use *Arjo Clean*.

Fig. 1

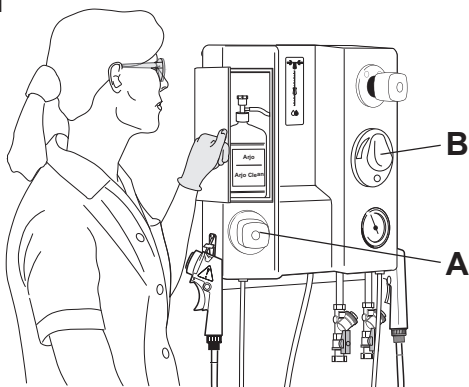


Fig. 2

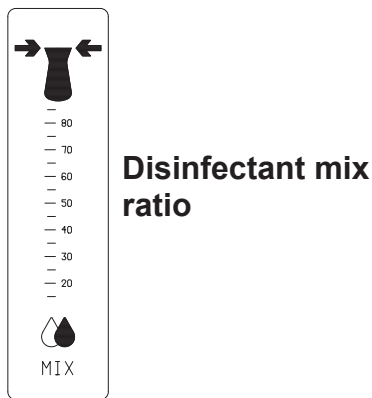
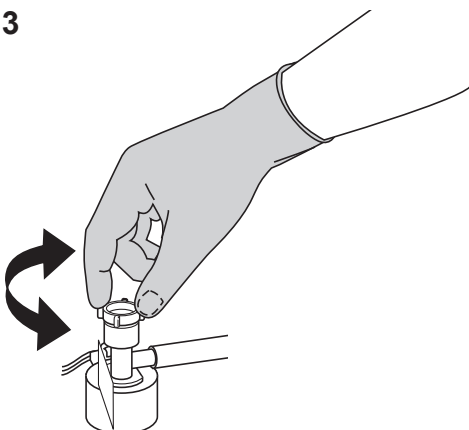


Fig. 3



- 1 Put on protective gloves and glasses.
- 2 Open the compartment for the disinfectant bottle.
(See Fig. 1)
- 3 If the disinfectant bottle is empty do as follows:
 - open the bottle lock,
 - disconnect the suction part from the bottle,
 - discard the old bottle and replace with a new one and
 - attach the suction part on the bottle opening.
- 4 Open the disinfection flow control (A) as far as it will go and set the temperature control (B) as low as possible.
- 5 Grab the disinfection spray handle.
- 6 Spray disinfectant on the shower chair/trolley and check the flow meter.
- 7 Check the disinfectant mix ratio on the flow meter so that it is in accordance with the setting range, stated in the table below. (See Fig. 2)

Disinfectant	Flow Meter Mix Ratio
Arjo Clean™	40
Arjo Plus V	40
Arjo Disinfectant Cleanser IV	20
Cen-Kleen IV™	20
Arjo General Purpose disinfectant	20

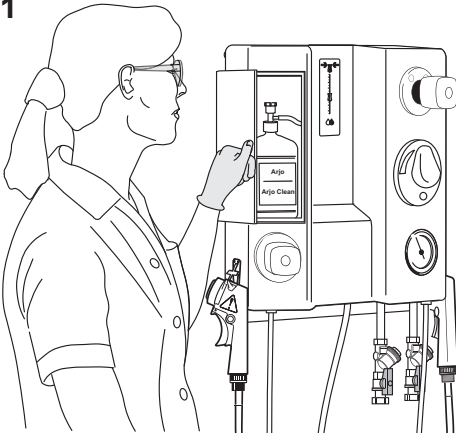
- 8 If necessary, turn the suction part on the bottle cap to adjust the mix ratio. (See Fig. 3)
- 9 Adjust water temperature so that the disinfectant mixture reaches approximately 20° C (68 °F).

Cleaning & Disinfecting a Shower Chair/Trolley

(8 steps)

The *Shower & Disinfection Panel* integrates with the Arjo shower chairs/trolleys according to section *Technical Specifications on page 23*.

Fig. 1



- 1 Put on protective gloves and glasses.
- 2 Open the panel door and check that the disinfectant bottle has a sufficient supply of disinfectant. (See Fig. 1)
- 3 Check that the hose is connected to the suction part.

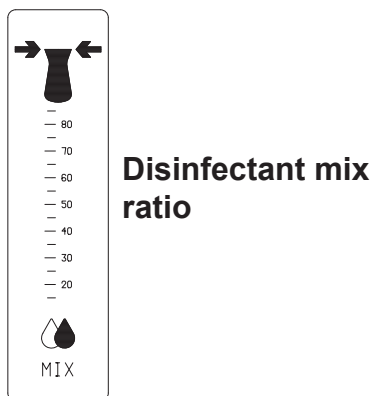
4 **WARNING**

To avoid eye or skin irritation, never disinfect in the presence of a patient.

Detach the disinfection spray handle from the hook.

- 5 Open the disinfection flow control as far as it will go and set the temperature control as low as possible.
- 6 Spray disinfectant on the shower chair/trolley and check the flow meter.
- 7 Check and if necessary adjust the disinfectant mix ratio on the flow meter so that it is in accordance with the setting range, stated in the table on *page 17*. (See Fig. 2)
- 8 Disinfect the shower chair/trolley according to its respective shower chair/trolley *IFU*.

Fig. 2



Care and Preventive Maintenance

The *Shower & Disinfection Panel* is subject to wear and tear, and the following actions must be performed when specified to make sure that the product remains within its original manufacturing specification.

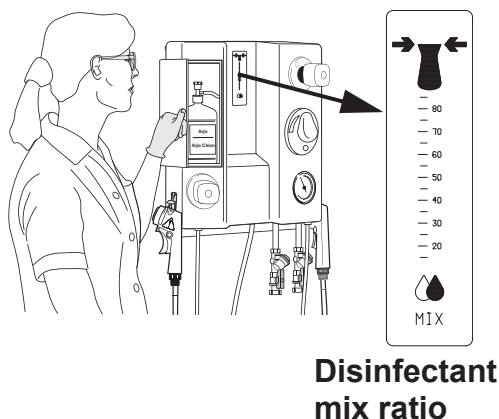
WARNING

To avoid malfunction resulting in injury, make sure to conduct regular inspections and follow the recommended maintenance schedule. In some cases due to heavy use of the product and exposure to aggressive environment more frequent inspections should be carried out. Local regulations and standards may be more stringent than the recommended maintenance schedule.

Preventive maintenance schedule

CAREGIVER OBLIGATIONS Action/Check	Every DAY	Every WEEK	Every MONTH
Disinfect/clean (not valid for GB)	X		
Visually check all exposed parts		X	
Perform a functionality test		X	
Visual check of hoses, pipes and connections		X	
Exercise the thermostatic mixer			X
Check and clean the shower head			X
Check/clean filters for incoming water			X

Fig. 1



Caregiver Obligations

Caregiver obligations shall be carried out by personnel with sufficient the *Shower & Disinfection Panel* knowledge following the instructions in this *IFU*.

Every day

- **Disinfect/clean:** Before using the disinfection system make sure that there is enough disinfectant in the bottle. At the beginning of the disinfection process make sure the disinfectant mix ratio on the flow meter is in accordance with the setting range, stated in the table on *page 17*. (See Fig. 1)
- Clean with a soft cloth soaked with diluted disinfectant.

Every week

- **Visually check all exposed parts:** Check especially parts that are handled or touched.
- Make sure no cracks or sharp edges have developed that could cause the patient or caregiver injury or that has become unhygienic. Replace damaged parts. (See Fig. 2, 3 & 4)
- **Perform functionality test:** Test all functions. Water, disinfection, temperature, shower/disinfection spray handles, flush valve and flush button.
- With the shower/disinfection flow control open: check shower hose and shower handle for damage. Replace if damaged. The shower/disinfection handle can be replaced without Arjo support.
- Open the disinfection flow control and spray disinfectant to check disinfection flow meter mix ratio.
- **Visual check of hoses, pipes and connections:** Examine shower and panel hoses so that there are no leaks. (See Fig. 2, 3 & 4)

Fig. 2

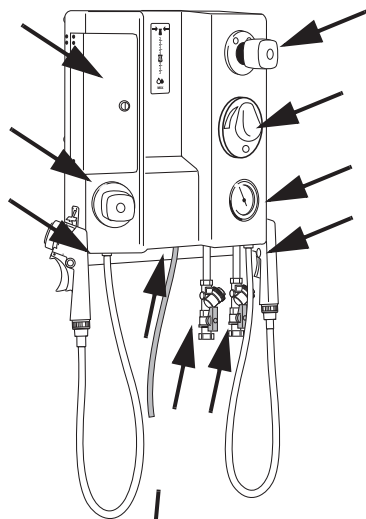


Fig. 3

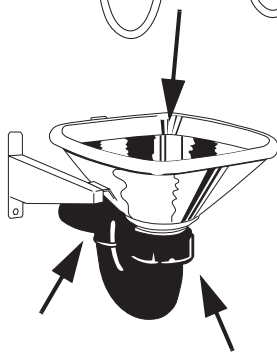


Fig. 4

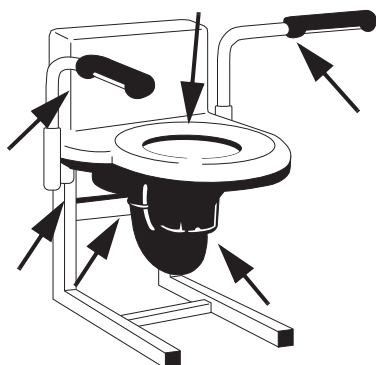
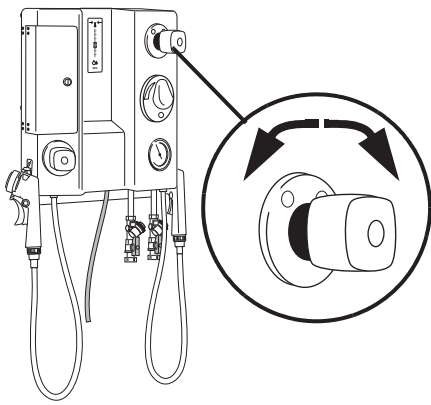


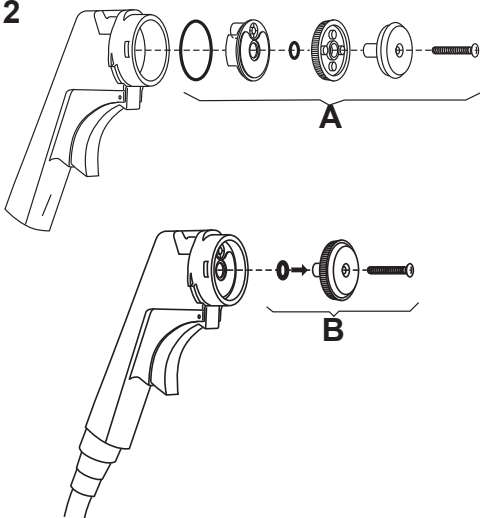
Fig. 1



Monthly

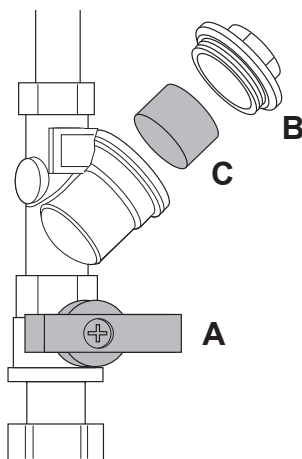
- **Exercise the thermostatic mixer:** Move the temperature control on the thermostat mixer back and forth over the whole temperature range with the water turned on. This prevents lime deposits, particularly in areas with hard water. (See Fig. 1)

Fig. 2



- **Check and clean the shower head (See Fig. 2):** The illustration and instructions only apply to the regular handle and not the French handle. Follow these 5 steps to disassemble and clean the shower head.
 - 1 Loosen the screw.
 - 2 Remove the parts according to (A) the illustration.
 - 3 Clean carefully.
 - 4 Re-assemble. The parts (B) must be assembled before set into the handle.
 - 5 Tighten the screw carefully.

Fig. 3



- **Check/clean filters for incoming water. (See Fig. 3):** A shut-off valve with a filter is mounted on each of the two water supply hoses. The filter in both valves should be rinsed in the order listed below. Follow these 5 steps to clean the shower filter.

WARNING

Pressurized system and a risk of scalding. Make sure that the shut-off valve is closed before removing the cap, this is especially important for the hot water shut-off valve.

- 1 Close the shut-off valves (A). The handles (red for hot water and blue for cold) should be in a cross position.
- 2 Remove the caps (B) with a wrench.
- 3 Pull out the filters (C) and clean them carefully in water.
- 4 Reassemble.
- 5 Open the shut-off valves.

Yearly Checks by Qualified Personnel Only

WARNING

To avoid injury and/or unsafe product, the maintenance activities must be carried out at the correct frequency by qualified personnel using correct tools, parts and knowledge of procedures. Qualified personnel must have documented training in maintenance of this device.

QUALIFIED PERSONNEL Action/Check	Every YEAR	Every 5th YEARS
Check and if necessary adjust thermostatic mixer and thermometer	X	
Check/clean filters, incoming water	X	
Check/change seal kit or complete shower handle	X	
Check/replace flow restrictors	X	
Check valve, replace if necessary	X	
Check hoses and connections for leaks and damage	X	
Perform full feature functionality test	X	
Check all vital parts for corrosion/damage	X	
Check mechanical attachments	X	
Check that the latest updates have been implemented	X	
Check dosage disinfection (not valid for GB)	X	
Check back flow prevention	X	
Replace all pressurized water hoses		X

NOTE

All Caregiver Obligations are to be checked when performing the Qualified Personnel Service.

Technical Specifications

Technical Data

Measurements, Volume, Weight	
Weight	14 kg (31 lbs) without flush 22 kg (49 lbs) with flush tank 14 kg (31 lbs) with flush valve
Width	455 mm (17 7/8") without flush 750 mm (29 1/2") with flush tank 455 mm (17 7/8") with flush valve
Height	510 mm (20")
Depth	190 mm (7 1/2")
Thermometer	
Range	20-60 °C (68-140 °F)
Accuracy	+/-2 °C (3.6 °F)
Resolution	0.5 °C (0.9 °F)

Water supply requirements	
Cold water	G3/4" male (customers connection)
Warm water	G3/4" male (customers connection)
Connect with shut off valves, 3/4" connection	
Maximum static pressure	6 bar (600 kPa, 87 psi)
Minimum operating pressure with disinfection	2 bar (200 kPa, 29 psi)
Minimum operating pressure without disinfection	0.8 (80 kPa, 12 psi)
Minimum operating pressure (for BCA122X-04)	2 bar (200 kPa, 29 psi)
Minimum flow	20 l/minute (5.3 US gallon/minute)
Recommended cold water temperature	2 °C - 20 °C (36 °F - 68 °F)
Recommended hot water temperature	60 °C - 80 °C (140 °F - 176 °F)

Water drainage requirements	
Minimum drainage capacity - Shower & Disinfection Panel	25 l/minute (6.6 US gallon/minute)
Minimum drainage capacity - Flush sinks	100 l/minute (26.4 US gallon/minute) DIV 110

WARNING

To avoid injury, always follow the allowed combinations listed in this IFU. No other combinations are allowed.

Allowed product combinations

The <i>Shower & Disinfection Panels</i> integrate with the following Arjo products	<i>Carendo</i> <i>Carevo</i> <i>Carino</i> <i>Carmina</i> <i>Concerto/Basic</i> <i>Prelude</i>
--	---

Environmental Conditions

Operating

Ambient temperature	10 °C – 40 °C (50 °F – 104 °F) Operating
Relative humidity	15 – 100% at 20 °C (68 °F) Operating
Atmospheric pressure	800 hPa – 1060 hPa Operating

Transport and Storage Conditions

Ambient temperature	-20 °C to 70 °C (-4 °F to 158 °F)
Relative humidity	10% - 80% at 20 °C (68 °F)
Atmospheric pressure	500-1100 hPa

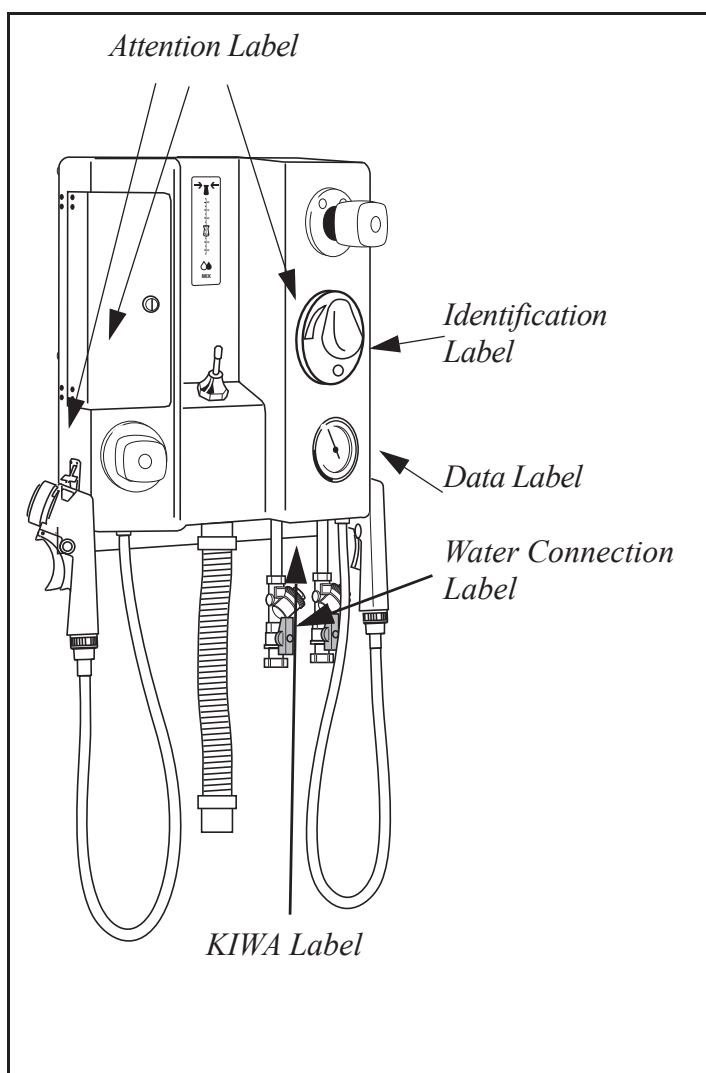
End of Life Disposal

- Equipment that has electrical and electronic components should be disassembled and recycled per Waste of Electrical and Electronic Equipment (WEEE) or in accordance with local or national regulation.
- Disinfection liquids – if you have extra liquid, it's safe to pour it down the drain with running water. These products are water soluble and usually mixed with water when used for cleaning, your municipality will treat these cleaners the same way they would if you used them for cleaning.
- The packaging containers should be recycled according to the national or local regulations.







Labels

Label Explanation

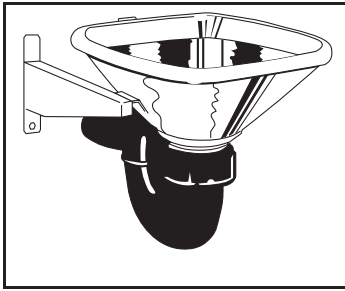
Identification Label	States the product identification; serial number, year and month of manufacturing.
Data Label	States technical performance and requirements, for example classified safety standard and input voltage.
Attention Labels	Labels that remind about calibration, disinfectant concentration and reading the IFU.
Water Connection Label	States the minimum/maximum temperature and pressure requirement of inlet water.



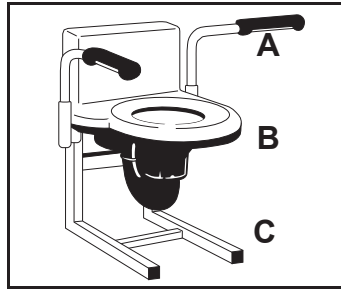
Symbol Explanation

IP X4	Protection class against splashing water
	Refer to instruction manual/ booklet - Instructions for use should be read
	General warning
	Separate electrical and electronic components for recycling in accordance with the European Directive 2012/19/EU (WEEE)
	CE marking indicating conformity with European Community harmonised legislation. Figures indicate Notified Body supervision.
	Indicates the product is a Medical Device according to EU Medical Device Regulation 2017/745
	Dutch safety certification for water safety to the standards NEN-EN 1717, NEN 1006. KIWA evaluation guidance for backflow protection Water worksheets 3.8

Accessories



Flush sink (stainless)
080015-53 (P-trap)
080015-54 (S-trap)



Flush sink with toilet
function
A: Support handle:
100837-04
B: Flush sink:
080090-0453 (P-trap)
080090-0454 (S-trap)
C: Support frame:
100836-04



For disinfectant contact
local Arjo representative

AUSTRALIA

Arjo Australia
 Building B, Level 3
 11 Talavera Road
 Macquarie Park, NSW, 2113,
 Australia
 Phone: 1800 072 040

BELGIQUE / BELGIË

Arjo Belgium
 Evenbroekveld 16
 9420 Erpe-Mere
 Phone: +32 (0) 53 60 73 80
 Fax: +32 (0) 53 60 73 81
 E-mail: info.belgium@arjo.com

BRASIL

Arjo Brasil Equipamentos Médicos Ltda
 Rua Marina Ciufuli Zanfelice, 329 PB02
 Galpão - Lapa
 São Paulo – SP – Brasil
 CEP: 05040-000
 Phone: 55-11-3588-5088
 E-mail: vendas.latam@arjo.com
 E-mail: servicios.latam@arjo.com

CANADA

Arjo Canada Inc.
 90 Matheson Boulevard West
 Suite 350
 CA-MISSISSAUGA, ON, L5R 3R3
 Tel/Tél: +1 (905) 238-7880
 Free: +1 (800) 665-4831
 Fax: +1 (905) 238-7881
 E-mail: info.canada@arjo.com

ČESKÁ REPUBLIKA

Arjo Czech Republic s.r.o.
 Na Strži 1702/65
 140 00 Praha
 Czech Republic
 Phone No: +420225092307
 E-mail: info.cz@arjo.com

DANMARK

Arjo A/S
 Vassingerødvej 52
 DK-3540 LYNGE
 Tel: +45 49 13 84 86
 Fax: +45 49 13 84 87
 E-mail: dk_kundeservice@arjo.com

DEUTSCHLAND

Arjo GmbH
 Peter-Sander-Strasse 10
 DE-55252 MAINZ-KASTEL
 Tel: +49 (0) 6134 186 0
 Fax: +49 (0) 6134 186 160
 E-mail: info-de@arjo.com

ESPAÑA

ARJO IBERIA S.L.
 Poligono Can Salvatella
 c/ Cabanyes 1-7
 08210 Barberà del Valles
 Barcelona - Spain
 Telefono 1: +34 900 921 850
 Telefono 2: +34 931 315 999

FRANCE

Arjo SAS
 2 Avenue Alcide de Gasperi
 CS 70133
 FR-59436 RONCQ CEDEX
 Tél: +33 (0) 3 20 28 13 13
 Fax: +33 (0) 3 20 28 13 14
 E-mail: info.france@arjo.com

HONG KONG

Arjo Hong Kong Limited
 Room 411-414, 4/F, Manhattan Centre,
 8 Kwai Cheong Road, Kwai Chung, N.T.,
 HONG KONG
 Tel: +852 2960 7600
 Fax: +852 2960 1711

ITALIA

Arjo Italia S.p.A.
 Via Giacomo Peroni 400-402
 IT-00131 ROMA
 Tel: +39 (0) 6 87426211
 Fax: +39 (0) 6 87426222
 E-mail: Italy.promo@arjo.com

MIDDLE EAST

Arjo Middle East FZ-LLC
 Office 908, 9th Floor,
 HQ Building, North Tower,
 Dubai Science Park,
 Al Barsha South
 P.O. Box 11488, Dubai,
 United Arab Emirates
 Direct +971 487 48053
 Fax +971 487 48072
 Email: Info.ME@arjo.com

NEDERLAND

Arjo Nederland BV
 Biezenwei 21
 4004 MB TIEL
 Postbus 6116
 4000 HC TIEL
 Tel: +31 (0) 344 64 08 00
 Fax: +31 (0) 344 64 08 85
 E-mail: info.nl@arjo.com

NEW ZEALAND

Arjo Ltd
 34 Vestey Drive
 Mount Wellington
 NZ-AUCKLAND 1060
 Tel: +64 (0) 9 573 5344
 Free Call: 0800 000 151
 Fax: +64 (0) 9 573 5384
 E-mail: nz.info@Arjo.com

NORGE

Arjo Norway AS
 Olaf Helsets vei 5
 N-0694 OSLO
 Tel: +47 22 08 00 50
 Faks: +47 22 08 00 51
 E-mail: no.kundeservice@arjo.com

ÖSTERREICH

Arjo Austria GmbH
 Lemböckgasse 49 / Stiege A / 4.OG
 A-1230 Wien
 Tel: +43 1 8 66 56
 Fax: +43 1 866 56 7000

POLSKA

Arjo Polska Sp. z o.o.
 ul. Ks Piotra Wawrzyniaka 2
 PL-62-052 KOMORNIKI (Poznań)
 Tel: +48 691 119 999
 E-mail: arjo@arjo.com

PORTUGAL

Arjo em Portugal
 MAQUET Portugal, Lda.
 (Distribuidor Exclusivo)
 Rua Poeta Bocage n.º 2 - 2G
 PT-1600-233 Lisboa
 Tel: +351 214 189 815
 Fax: +351 214 177 413
 E-mail: Portugal@arjo.com

SUISSE / SCHWEIZ

Arjo Switzerland AG
 Fabrikstrasse 8
 Postfach
 CH-4614 HÄGENDORF
 Tél/Tel: +41 (0) 61 337 97 77
 Fax: +41 (0) 61 311 97 42

SUOMI

Arjo Scandinavia AB
 Riihitontuntie 7 C
 02200 Espoo
 Finland
 Puh: +358 9 6824 1260
 E-mail: Asiakaspalvelu.finland@arjo.com

SVERIGE

Arjo International HQ
 Hans Michelsensgatan 10
 SE-211 20 MALMÖ
 Tel: +46 (0) 10 494 7760
 Fax: +46 (0) 10 494 7761
 E-mail: kundservice@arjo.com

UNITED KINGDOM

Arjo UK and Ireland
 Houghton Hall Park
 Houghton Regis
 UK-DUNSTABLE LU5 5XF
 Tel: +44 (0) 1582 745 700
 Fax: +44 (0) 1582 745 745
 E-mail: sales.admin@arjo.com

USA

Arjo Inc.
 2349 W Lake Street Suite 250
 US-Addison, IL 60101
 Tel: +1 (630) 307-2756
 Free: +1 (800) 323-1245
 Fax: +1 (630) 307 6195
 E-mail: us.info@arjo.com

JAPAN

Arjo Japan K.K.
 東京都港区虎ノ門三丁目7番8号
 ランディック第2虎ノ門ビル9階
 Tel: +81 (0)3-6435-6401
 Fax: +81 (0)3-6435-6402
 E-mail: info.japan@arjo.com

At Arjo, we believe that empowering movement within healthcare environments is essential to quality care. Our products and solutions are designed to promote a safe and dignified experience through patient handling, medical beds, personal hygiene, disinfection, diagnostics, and the prevention of pressure injuries and venous thromboembolism. With over 6500 people worldwide and 65 years caring for patients and healthcare professionals, we are committed to driving healthier outcomes for people facing mobility challenges.



ArjoHuntleigh AB
Hans Michelsensgatan 10
211 20 Malmö, Sweden
www.arjo.com

arjo

CE
2797