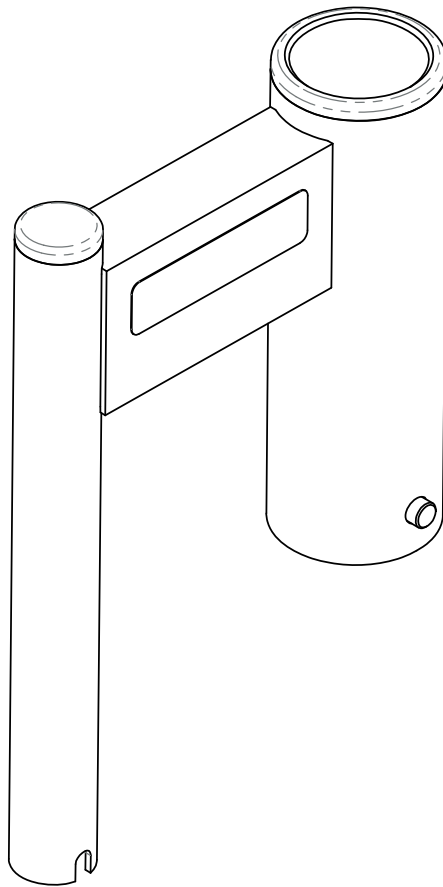


INSTRUCTIONS FOR USE

Citadel Plus ENT-ACC75 Socket adapter



EN · AR · DA · DE · EL · ES · FR · HE · IT · JA · KO · MK · NL · NO · PL · PT · RO · RU · SV · TH · ZH

Instructions for use AR · Brugsvejledning · Bedienungsanleitung · Οδηγίες χρήσης · Instrucciones de uso · Notice d'utilisation · Instructions for use HE · Istruzioni per l'uso · 取扱説明書 · 사용 설명서 · Упатство за употреба · Gebruiksaanwijzing · Bruksanvisning · Instrukcja obsługi · Instruções de Uso · Instrucțiuni de utilizare · Инструкции по эксплуатации · Instruktioner för användning · คำแนะนำการใช้งาน · 使用说明书



WARNING

To avoid injury, always read this Instructions for use and accompanied documents before using the product.



Mandatory to read the Instructions for use.

Design Policy and Copyright

® and ™ are trademarks belonging to the Arjo group of companies.

© Arjo 2018.

As our policy is one of continuous improvement, we reserve the right to modify designs without prior notice. The content of this publication may not be copied either whole or in part without the consent of Arjo.

Contents

Contents	3
Foreword	4
Customer contact information	4
Definitions in this IFU	4
Intended use	5
Safety instructions	5
Installation and use	6
Cleaning and disinfection	7
Cleaning and disinfection instructions	7
Labels on ENT-ACC75 Socket adapter	8

Foreword

Thank you for purchasing Arjo equipment.

Customer contact information

For questions regarding this product, supplies, maintenance, or additional information about Arjo products and service, please contact Arjo or an Arjo authorized representative, or visit www.arjo.com.

Please read and fully understand these Instructions for Use (IFU) before using your ENT-ACC75 Socket adapter

Information in this IFU is necessary to perform the proper operation and maintenance of the equipment.

It will help to protect your product and make sure that the equipment performs to your satisfaction. The information in this IFU is important for your safety and must be read and understood to help prevent possible injury. Unauthorized modifications on any Arjo equipment can affect safety. Arjo will not be held responsible for any accidents, incidents or lack of performance that occur as a result of any unauthorized modification to its products.

Definitions in this *IFU*



WARNING

Warning means: Safety warning. Failure to understand and obey this warning may result in injury to you or to others.

CAUTION

Caution means: Failure to follow these instructions may cause damage to all or parts of the system or equipment.

NOTE

Note means: This is important information for the correct use of this system or equipment.

Intended use

This equipment must be used in accordance with these safety instructions. Anyone using this equipment must also have read and understood the instructions in these Instructions for use (IFU).

ENT-ACC75 Socket adapter is an adapter with a Safe Working Load of 20kg (44 lb), intended to only be used with ENT-ACC101 on the Citadel® Plus medical bed.

It is an adapter for the small socket on the head end of the bed.

The adapter adds an extra large socket to the bed so that ENT-ACC101 could be used.

The adapter is designed to be used with IV-poles and O2 holders.

Safety instructions

**WARNING**

To avoid injury, always assess the patient prior to use.

**WARNING**

To avoid injury, do not exceed the Safe Working Load of 20kg (44 lb)

**WARNING**

To avoid injury refer to the bed instructions for use to confirm compatibility before using this accessory.

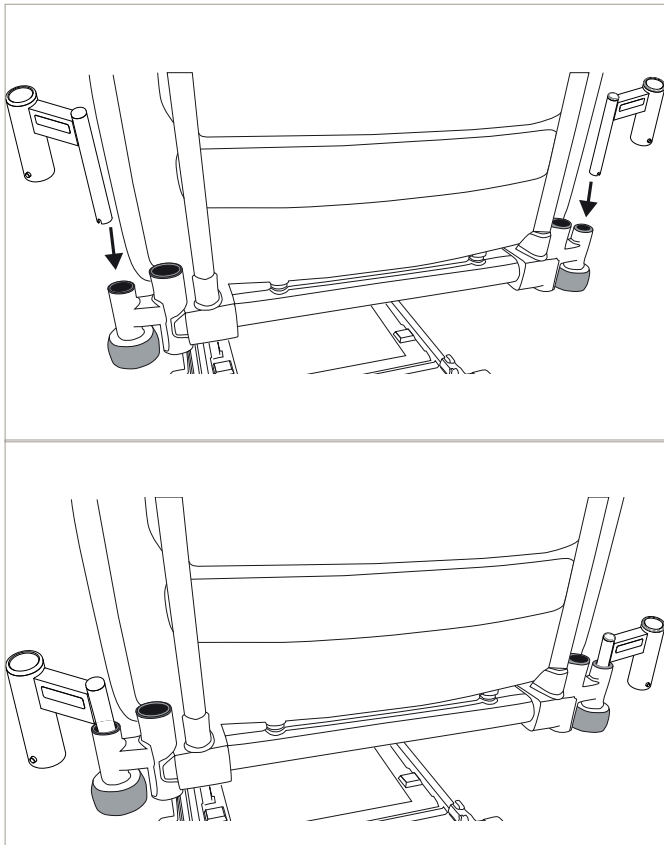
**WARNING**

The bed should not be occupied by a patient while the adapters are being fitted.

**WARNING**

To avoid injury do not use the socket adapter together with traction frames (ENT-ACC05 and ENT-ACC10).

Installation and use



To be able to use the ENT-ACC101, insert the ENT-ACC75 Socket adapter into selected socket at the head end of the bed.
(See Figure 1)

Figure 1: ENT-ACC75 Socket adapter

Cleaning and disinfection

Cleaning and disinfection instructions

If you have any questions regarding disinfecting the equipment, or wish to order disinfectant, contact Arjo Customer service. The following procedure should be carried out after every use.



WARNING

To avoid eye and skin damage, always use protective glasses and protective gloves. If contact occurs, rinse with plenty of water. If eyes or skin become irritated, consult a physician. Always read the Instructions for use and Material safety data sheet of the disinfectant.

CAUTION

To prevent cross-contamination, always follow the disinfection instructions in this Instruction for use.

CAUTION

Only use approved disinfectants and cleaning methods. Other products may cause degradation of the equipment and possibly premature failure.

CAUTION

Use all cleaners and disinfectants with care. Obey the manufacturer's instructions for use.






For cleaning and disinfection refer to the instructions for use supplied with the bed.





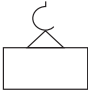
Product weight

ENT-ACC75 Socket adapter = 1kg

Labels on ENT-ACC75 Socket adapter

On the labels you can find the following symbols/information:

SYMBOL EXPLANATION	
SWL	Safe working load. Defines the maximum total load that may be on ENT-ACC75 Socket adapter.
	Separate electrical and electronic components for recycling in accordance with the European Directive 2012/19/EC (WEEE).
	Reference number.
	Serial number.
	Manufacturer name and address.
	Read the IFU before use.

	Conforms with the Medical Device Directive (93/42/EEC) and has been subject to the conformity procedures laid down in the council directive
	Important Operational Information
	Warning of possible hazard to system, patient or staff
	Date of Manufacturer
	Accessory Weight

Contacts

AUSTRALIA

Arjo Australia Pty Ltd
78, Forsyth Street
O'Connor
AU-6163 Western Australia
Tel: +61 89337 4111
Free: +1 800 072 040
Fax: + 61 89337 9077

BELGIQUE / BELGIË

Arjo NV/SA
Evenbroekveld 16
BE-9420 ERPE-MERE
Tél/Tel: +32 (0) 53 60 73 80
Fax: +32 (0) 53 60 73 81
E-mail: info.belgium@arjo.be

BRASIL

Arjo Brazil
Maquet do Brasil
Rua Tenente Alberto Spicciati, 200
Barra Funda, 01140-130
SÃO PAULO, SP - BRASIL
Fone: +55 (11) 2608-7400
Fax: +55 (11) 2608-7410

CANADA

Arjo Canada Inc.
90 Matheson Boulevard West
Suite 300
CA-MISSISSAUGA, ON, L5R 3R3
Tel/Tél: +1 905 238 7880
Free: +1 800 665 4831 Institutional
Free: +1 800 868 0441 Home Care
Fax: +1 905 238 7881
E-mail: info.canada@arjo.com

ČESKÁ REPUBLIKA

ArjoHuntleigh s.r.o.
Na Strži 1702/65
140 00 Praha 4
Tel: +420 549 254 252
Fax: +420 541 213 550

DANMARK

Arjo A/S
Vassingerødvej 52
DK-3540 LYNGBE
Tel: +45 49 13 84 86
Fax: +45 49 13 84 87
E-mail:
dk_kundeservice@arjo.com

DEUTSCHLAND

Arjo GmbH
Peter-Sander-Strasse 10
DE-55252 MAINZ-KASTEL
Tel: +49 (0) 6134 186 0
Fax: +49 (0) 6134 186 160
E-mail: info-de@arjo.com

ESPAÑA

Arjo Ibérica S.L.
Parque Empresarial Rivas Futura, C/Marie
Curie 5
Edificio Alfa Planta 6 oficina 6.1-.62
ES-28521 Rivas Vacia, MADRID
Tel: +34 93 583 11 20
Fax: +34 93 583 11 22
E-mail: info.es@arjo.com

FRANCE

Arjo SAS
2 Avenue Alcide de Gasperi
CS 70133
FR-59436 RONCQ CEDEX
Tél: +33 (0) 3 20 28 13 13
Fax: +33 (0) 3 20 28 13 14
E-mail: info.france@arjo.com

HONG KONG

ArjoHuntleigh (Hong Kong) Limited
Room 411-414, 4/F, Manhattan Centre,
8 Kwai Cheong Road, Kwai Chung, N.T.,
HONG KONG
Tel: +852 2960 7668
Fax: +852 2960 1711

ITALIA

Arjo Italia S.p.A.
Via Giacomo Peroni 400-402
IT-00131 ROMA
Tel: +39 (0) 6 87426211
Fax: +39 (0) 6 87426222
E-mail: Italy.promo@arjo.com

MIDDLE EAST

Huntleigh Middle East
Office G005 - Nucleotide Complex,
Biotechnology & Research Park,
P.O.Box 214742, Dubai,
United Arab Emirates
Tel: +971 (0)4 447 0942
E-mail: Info.ME@arjo.com

NEDERLAND

Arjo BV
Biezenwei 21
4004 MB TIEL
Postbus 6116
4000 HC TIEL
Tel: +31 (0) 344 64 08 00
Fax: +31 (0) 344 64 08 85
E-mail: info.nl@arjo.com

NEW ZEALAND

Arjo Ltd
34 Vestey Drive
Mount Wellington
NZ-AUCKLAND 1060
Tel: +64 (0) 9 573 5344
Free Call: 0800 000 151
Fax: +64 (0) 9 573 5384
E-mail: nz.info@arjo.com

NORGE

Arjo Norway AS
Olaf Helsets vei 5
N-0694 OSLO
Tel: +47 22 08 00 50
Faks: +47 22 08 00 51
E-mail: no.kundeservice@arjo.com

ÖSTERREICH

Arjo GmbH
Lemböckgasse 49 / Stiege A / 4.OG
A-1230 Wien
Tel: +43 1 8 66 56
Fax: +43 1 866 56 7000

POLSKA

Arjo Polska Sp. z o.o.
ul. Ks Piotra Wawrzyniaka 2
PL-62-052 KOMORNIKI (Poznań)
Tel: +48 61 662 15 50
Fax: +48 61 662 15 90
E-mail: arjo@arjo.com

PORTUGAL

Arjo em Portugal
MAQUET Portugal, Lda.
(Distribuidor Exclusivo)
Rua Poeta Bocage n.º 2 - 2G
PT-1600-233 Lisboa
Tel: +351 214 189 815
Fax: +351 214 177 413
E-mail: Portugal@arjo.com

SUISSE / SCHWEIZ

Arjo AG
Fabrikstrasse 8
Postfach
CH-4614 HÄGENDORF
Tél/Tel: +41 (0) 61 337 97 77
Fax: +41 (0) 61 311 97 42

SUOMI

Arjo Scandinavia AB
Riihitontuntie 7 C
02200 Espoo
Finland
Puh: +358 9 6824 1260
E-mail: Asiakaspalvelu.finland@arjo.com

SVERIGE

Arjo International HQ
Hans Michelsensgatan 10
SE-211 20 MALMÖ
Tel: +46 (0) 10 494 7760
Fax: +46 (0) 10 494 7761
E-mail: kundservice@arjo.com

UNITED KINGDOM

Arjo UK and Ireland
Houghton Hall Park
Houghton Regis
UK-DUNSTABLE LU5 5XF
Tel: +44 (0) 1582 745 700
Fax: +44 (0) 1582 745 745
E-mail: sales.admin@arjo.com

USA

Arjo Inc.
2349 W Lake Street Suite 250
US-Addison, IL 60101
Tel: +1 630 307 2756
Free: +1 800 323 1245 Institutional
Free: +1 800 868 0441 Home Care
Fax: +1 630 307 6195
E-mail: us.info@arjo.com

Arjo Japan K.K.

東京都港区東新橋二丁目11番3号第2小川ビル
3階
電話 : +81 (0)3-6435-6401

Address page - REV 21: 02/2018

At Arjo, we are committed to improving the everyday lives of people affected by reduced mobility and age-related health challenges. With products and solutions that ensure ergonomic patient handling, personal hygiene, disinfection, diagnostics, and the effective prevention of pressure ulcers and venous thromboembolism, we help professionals across care environments to continually raise the standard of safe and dignified care. Everything we do, we do with people in mind.



Arjo AB
Hans Michelsensgatan 10
211 20 Malmö, Sweden
www.arjo.com

arjo

CE