

ASSEMBLY AND INSTALLATION INSTRUCTIONS

Malibu / Sovereign

(2021 Edition- UK)



Design Policy and Copyright

® and ™ are trademarks belonging to the Arjo group of companies.

© Arjo 2023.

As our policy is one of continuous improvement, we reserve the right to modify designs without prior notice. The content of this publication may not be copied either whole or in part without the consent of Arjo.

Contents

- Safety precautions4
- Measurements and weights5
- Space requirements7
- Unpacking and assembly10
- Electrical installation13
- Electrical supply14
- Drain installation16
- Water installation18
- Calibration of the thermostat mixer21
- Technical specifications25

Safety precautions

Definitions in this manual

WARNING

Means:

Safety warning. Failure to understand and obey this warning may result in injury to you or to others.

CAUTION

Means:

Failure to follow these instructions may cause damage to all or parts of the system or equipment.

NOTE

Means:

This is important information for the correct use of this system or equipment.



Means:

The name and address of the manufacturer.

Make sure that the electrical supply components are according to the data label.

Make sure that the assembly is carried out

- by qualified personnel.
- in accordance with local codes.
- in accordance with local regulations.

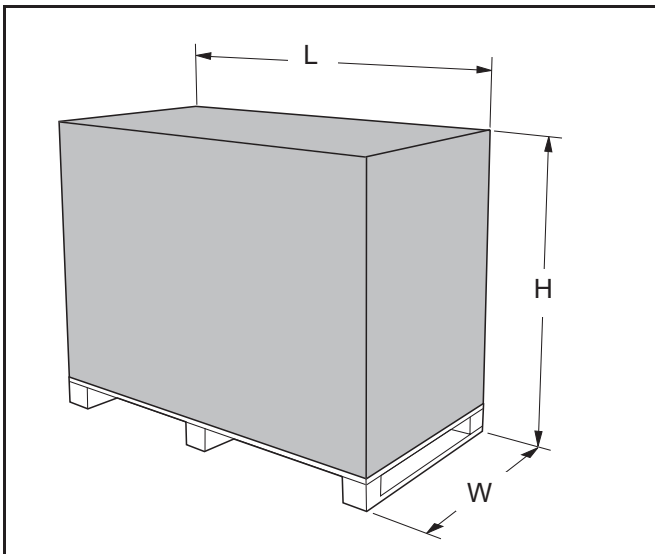
Make sure not to disassemble the bath during the installation procedure.

When the work is completed check that:

- all details are mounted corresponding to the assembly instructions.
- all parts which a user may come into contact, are free from sharp edges.
- all hoses, pipes and connections are intact and free from water leakage.
- all hoses and pipes are free from obstructions and moving parts.
- all system functions operate correctly.

Measurements and weights

Measurements and weights of the box with contents

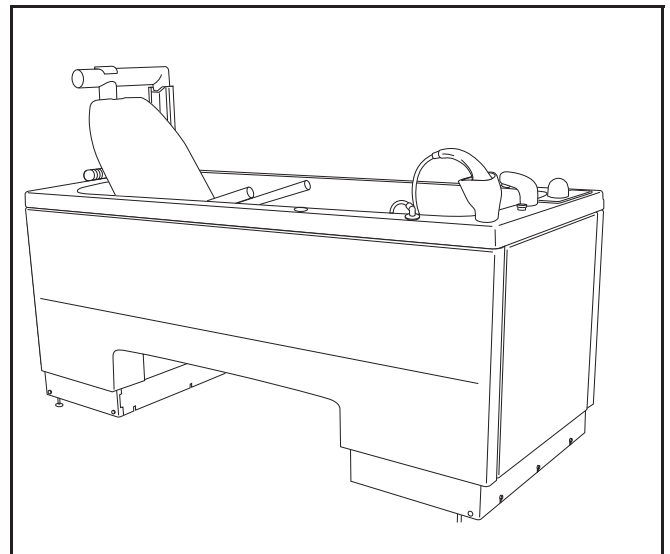


The *Malibu/Sovereign* bathtub is delivered in one box.

Measurements, box with contents	
L = Length	1830 mm
H = Height	1311 mm
W = Width	800 mm

Weight, box with contents (approximately)	
<i>Malibu/Sovereign</i> (max weight)	212 kg

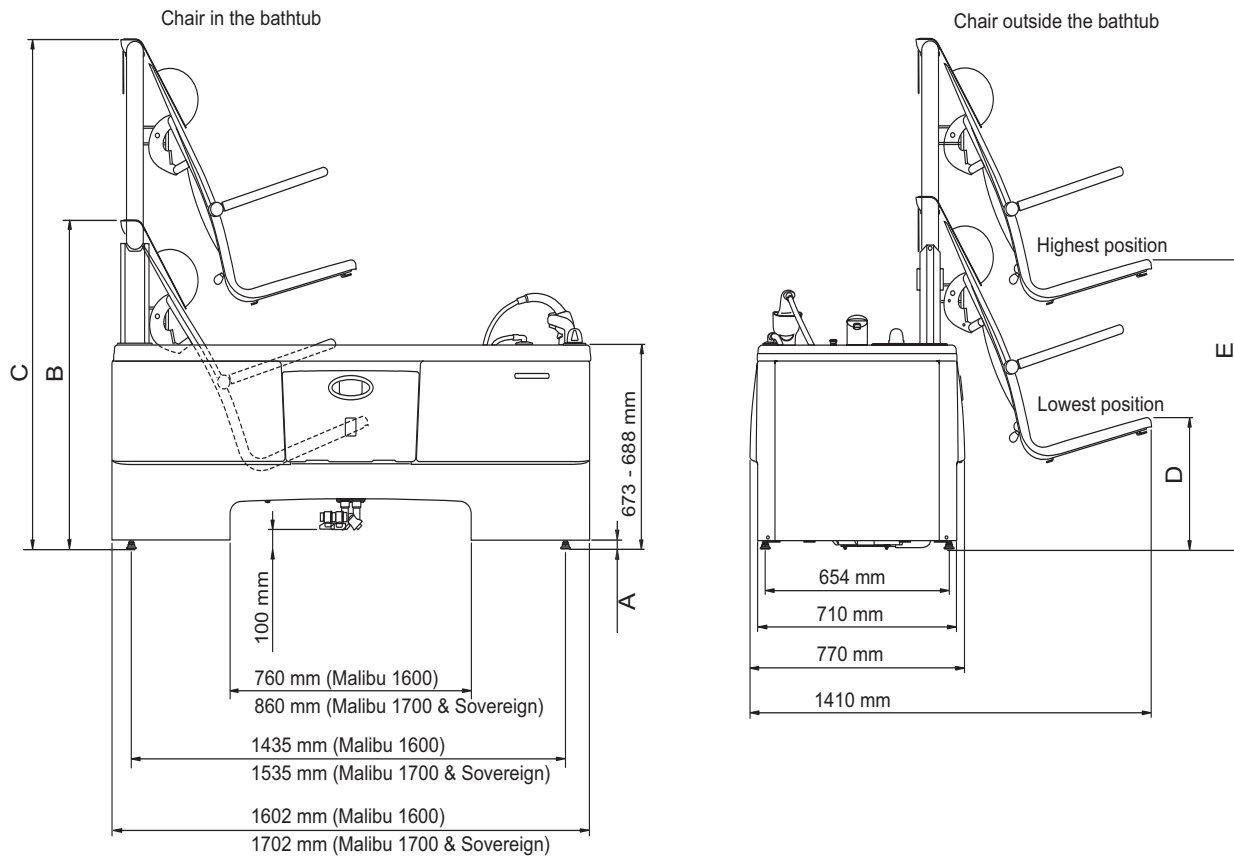
Measurements and weights of *Malibu/Sovereign*



The *Malibu/Sovereign* bathtub is available in both left and right hand versions. The drawings on next page shows *Malibu/Sovereign* bathtub in a right hand version.

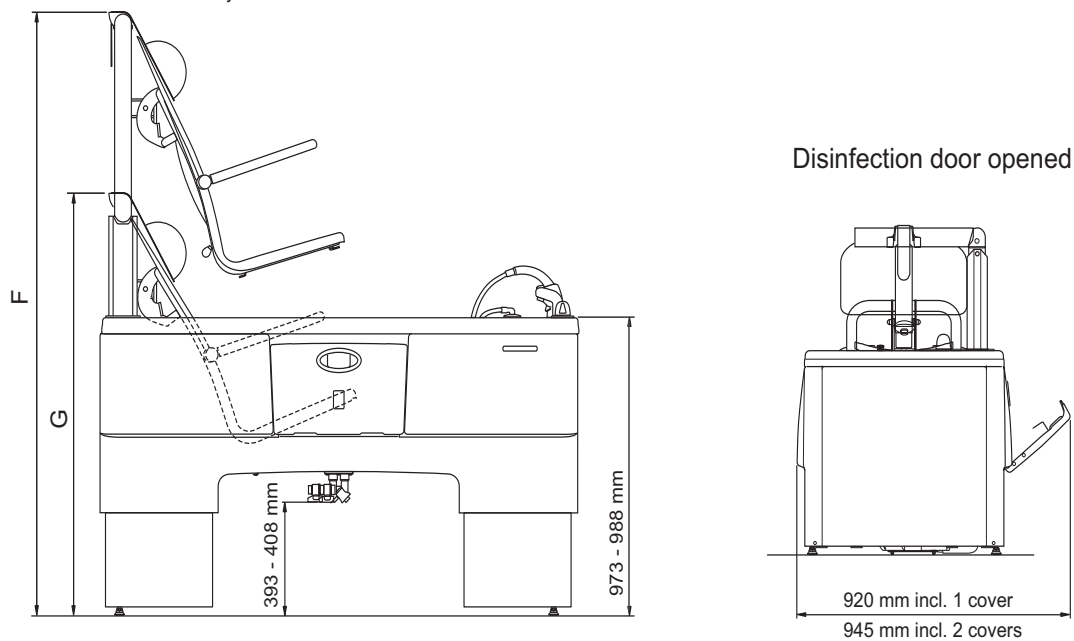
Max Weight <i>Malibu/Sovereign</i>	
<i>Malibu 1600/ Malibu 1700 / Sovereign</i>	172 kg

Bathtub in lowest position.



Bathtub in highest position.

Chair always in the bathtub.



Measures in mm	B		C		D		E		F		G	
A	40	55	40	55	40	55	40	55	40	55	40	55
Malibu 1600	1128	1143	1668	1683	383	398	883	898	1968	1983	1428	1443
Malibu 1700	1083	1098	1668	1683	383	398	883	898	1968	1983	1383	1398
Sovereign	1083	1098	1668	1683	338	353	838	853	1968	1983	1383	1398

Space requirements

The *Malibu/Sovereign* bathtub must always be installed according to recommended space requirements, this to provide optimal working conditions for personnel and patient.

Make sure to order the requested parts depending on your setup.

Depending on the *Malibu/Sovereign* bathtub position in a room, a side / back / corner cover should be ordered to cover up the open area of the *Malibu/Sovereign* bathtub.

NOTE

Space for furniture and other personal items are not included in these measurements.

Wall Position (measurements depending on *Malibu/Sovereign* bathtub model)

Contact Arjo to order side / back / corner cover if:

* Short side is equal or larger measurements than 60 mm

** Long side is equal or larger measurements than 80 mm

Fig. 1

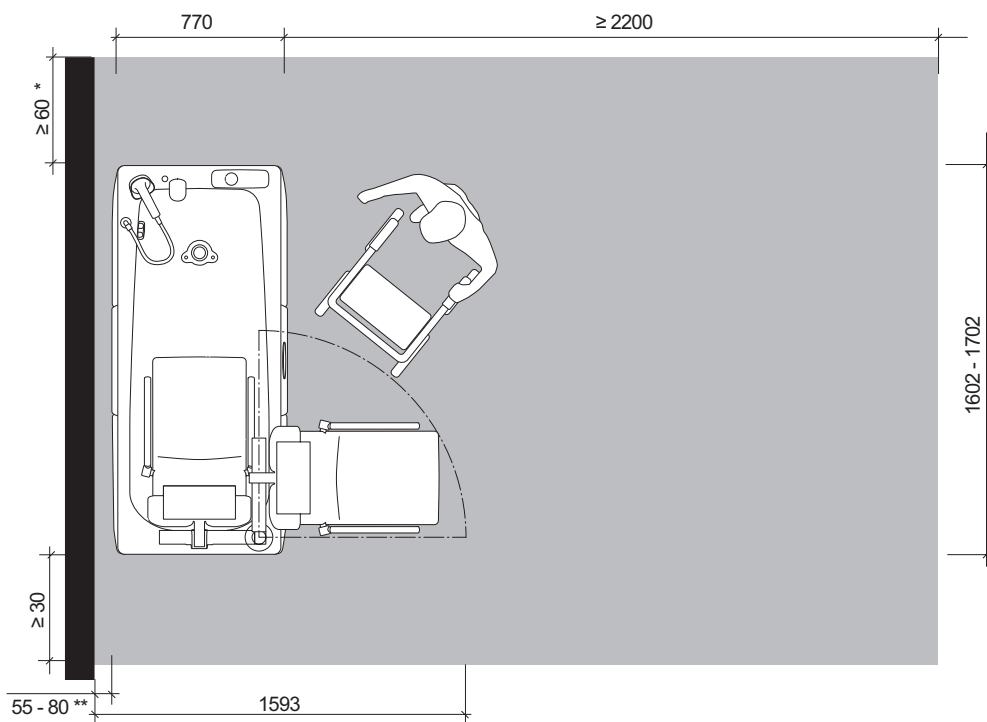
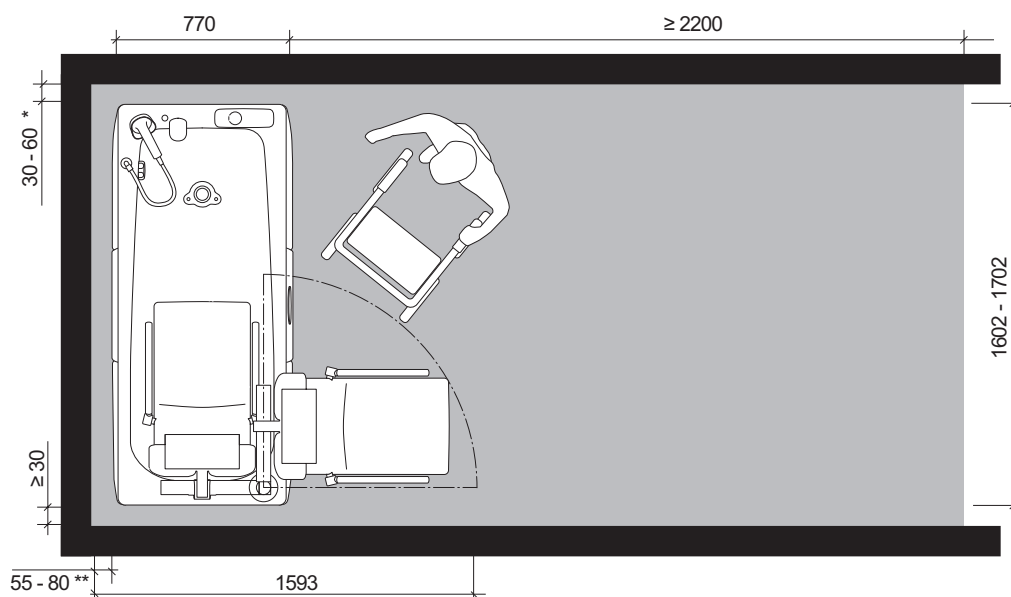


Fig. 2



Wall Position (measurements depending on *Malibu/Sovereign* bathtub model)

Contact Arjo to order side / back / corner cover if:

* Short side is equal or larger measurements than 60 mm

** Long side is equal or larger measurements than 80 mm

Fig. 3

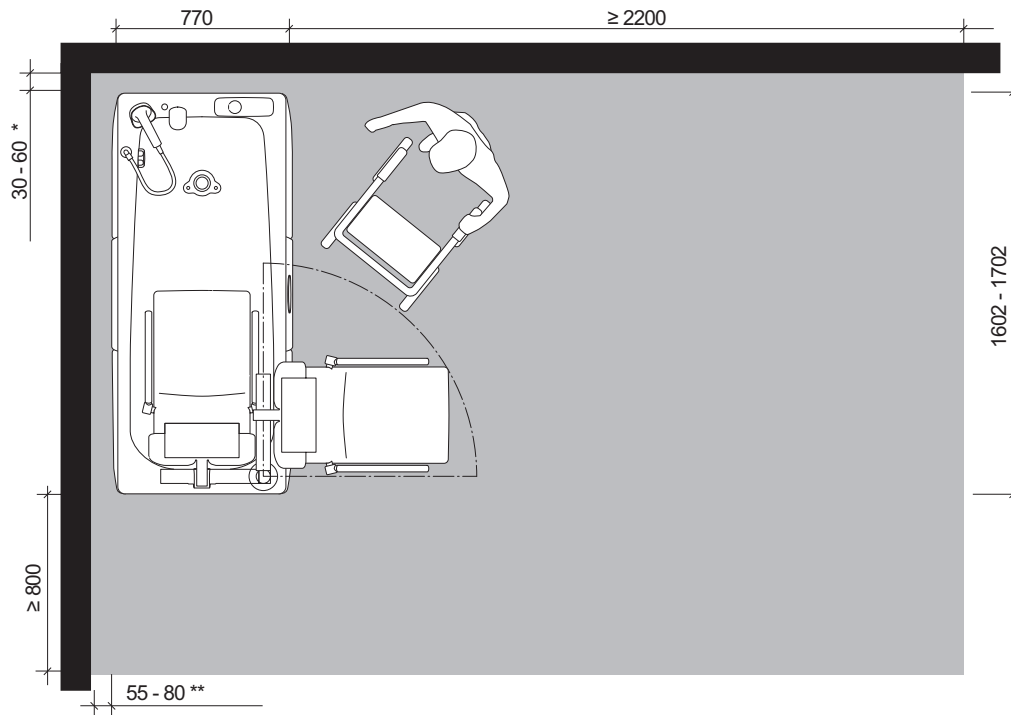
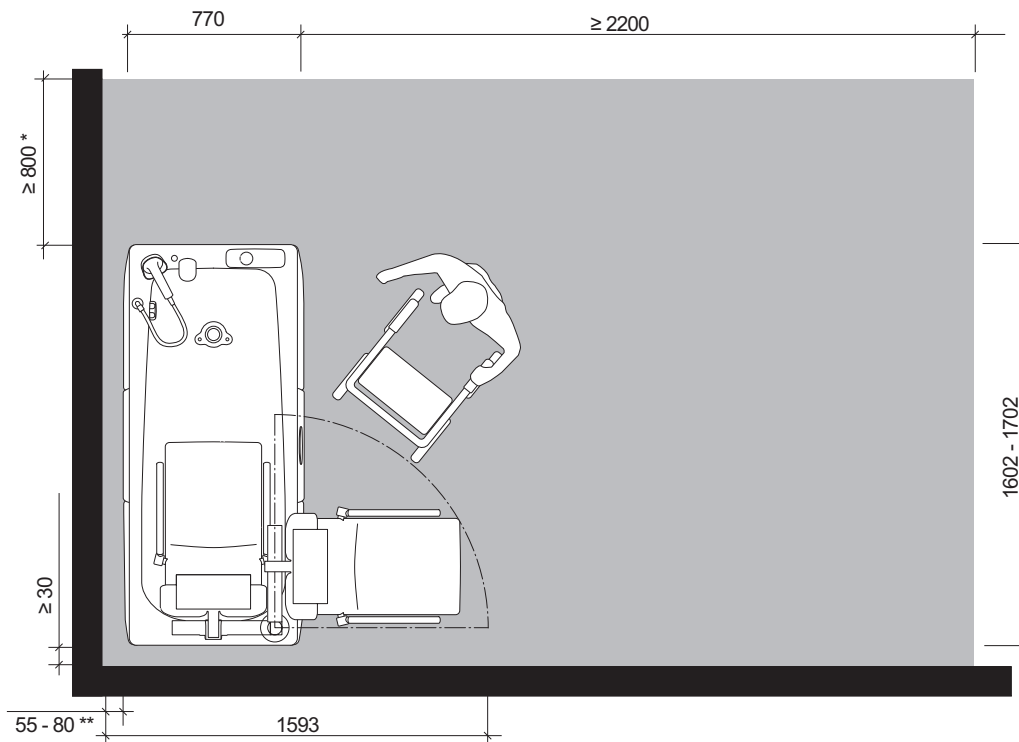


Fig. 4



Island Position (measurements depending on *Malibu/Sovereign* bathtub model)

Contact Arjo to order side / back / corner cover if:

* Short side is equal or larger measurements than 60 mm

** Long side is equal or larger measurements than 80 mm

Fig. 5

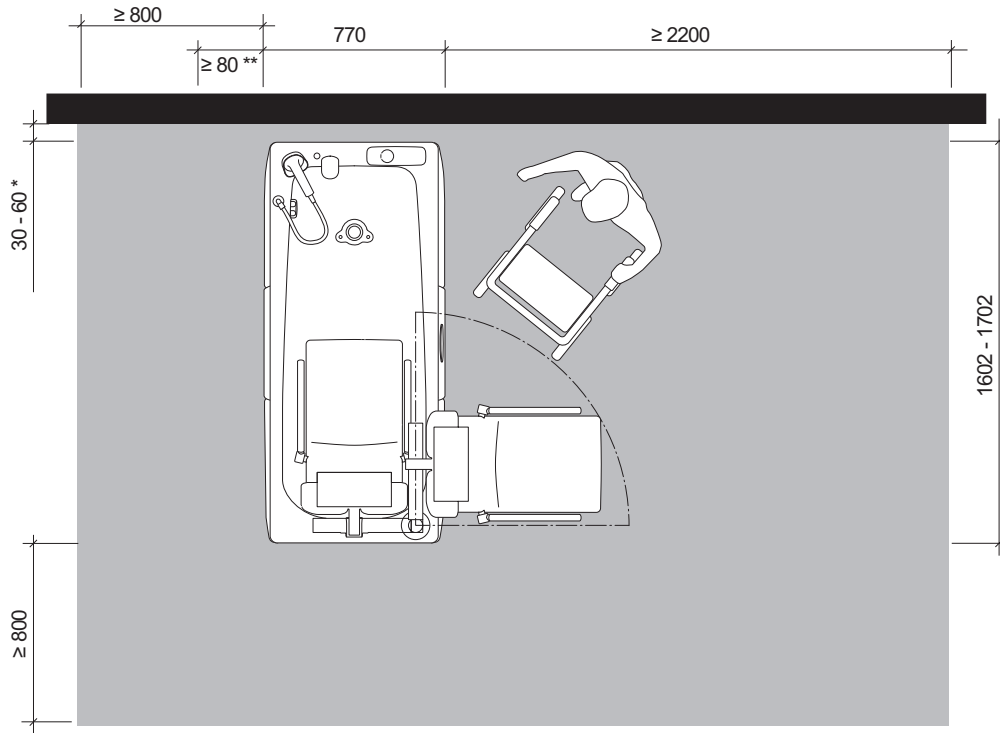
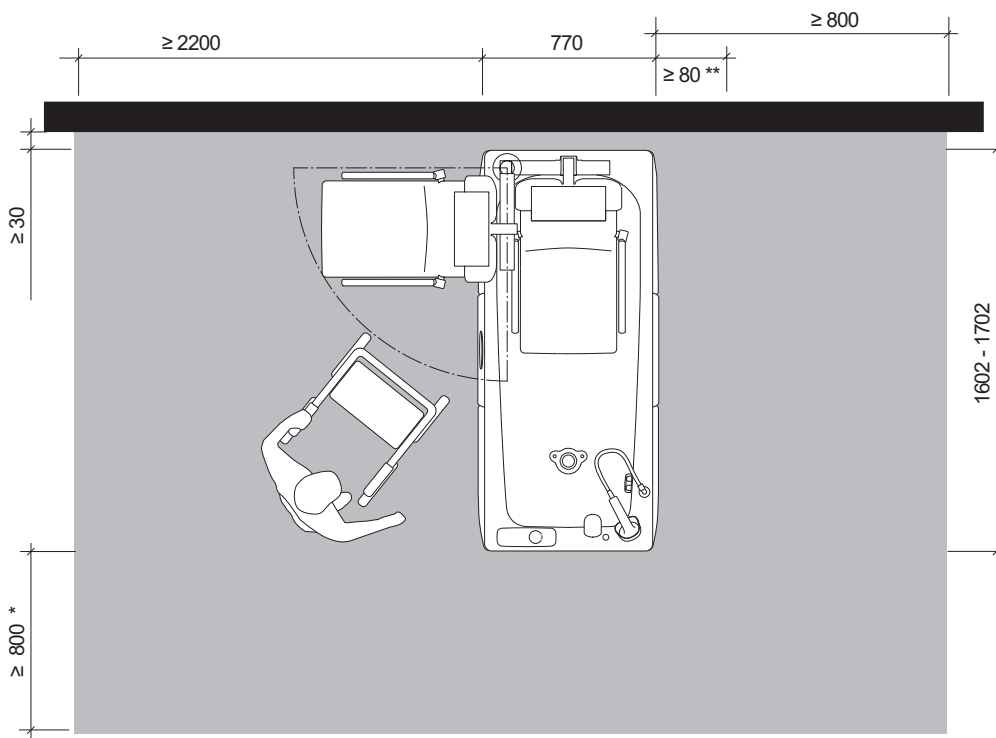


Fig. 6



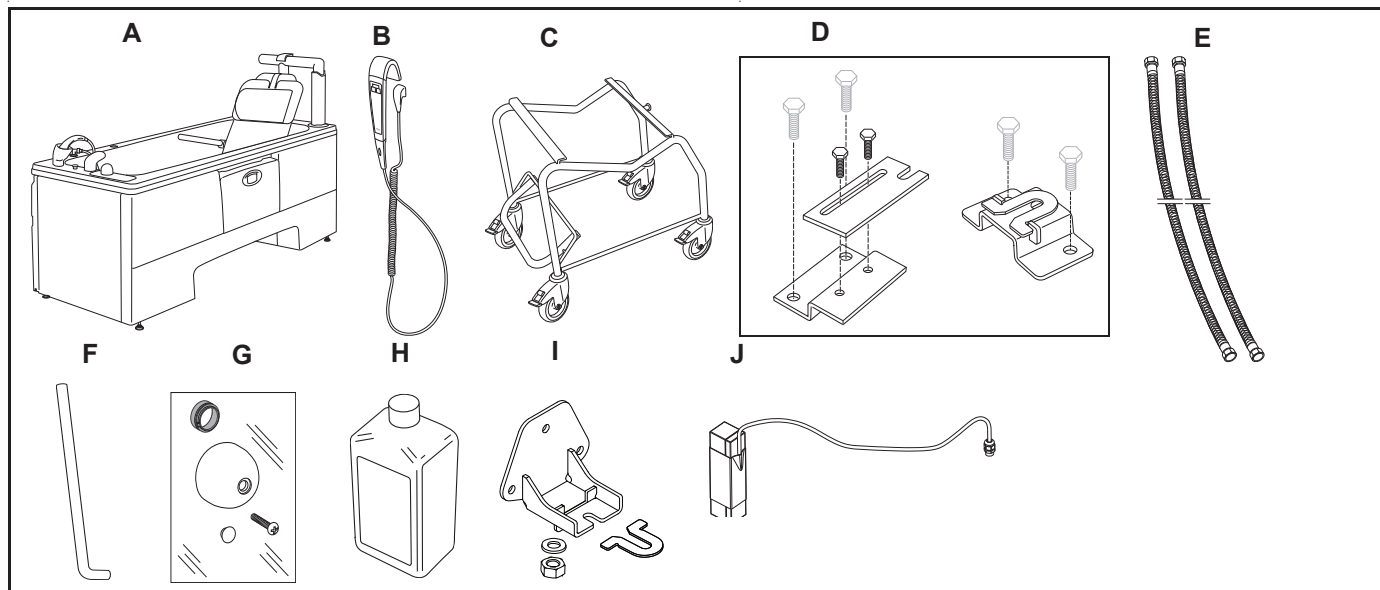
Unpacking and assembly

Preparations

CAUTION

To avoid equipment damage when unpacking of this product, always make sure that **ALL** staples are fully removed when removing the outer cover. This will prevent damage to the laminate surface.

Remove the wooden lid and then the box covering the product. Check the contents.



- A *Malibu/Sovereign* Bathtub complete
- B Hand control
- C Transfer chassis (optional)
- D Floor brackets
- E Water hoses 1700 mm (not included)
Article # AH1014214 - hot water
AH1014219 - cold water
- F Drain pipe
- G Knob assembly kit
- H Bottle with concentrated disinfectant liquid (optional)
- I Wall bracket kit (optional)
Article # 8547054
- J Battery Kit (optional)
Article # AH1012091

NOTE

Wall bracket anchoring bolts are not included and have to be sourced locally.

Floor attachments

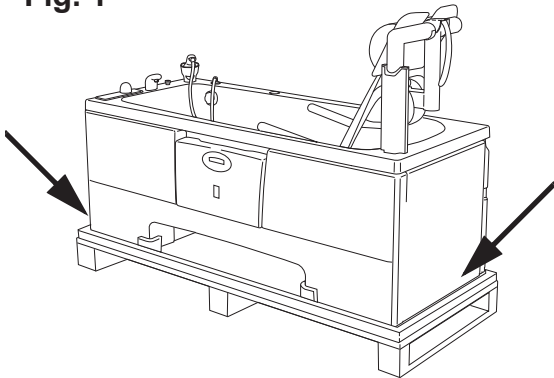
To prevent the *Malibu/Sovereign* bathtub from falling over, the floor fixtures provided in the installation kit must be used when installing *Malibu/Sovereign* bathtub. The floor construction must be suitable for anchoring the fasteners for a minimum load of 1500 N/fastener.

Before initial positioning (10 steps)

Prior to moving the *Malibu/Sovereign* bathtub into its final position, check:

- Water service, stop and mixing valves, lines, spout etc. See chapter “Water installation” on page 18
- House drain system ready for hook-up. See chapter “Drain installation”
- Provision is made for electrical service to interior control box. See chapter “Electrical installation” on page 13
- Flooring
- Choose options:
 - Water connection from floor or
 - Water connection from wall

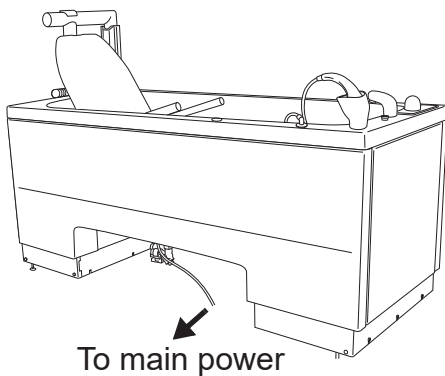
Fig. 1



WARNING

To avoid having fingers pinched, observe that the upper part of the *Malibu/Sovereign* bathtub can move against the lower part.

Fig. 2

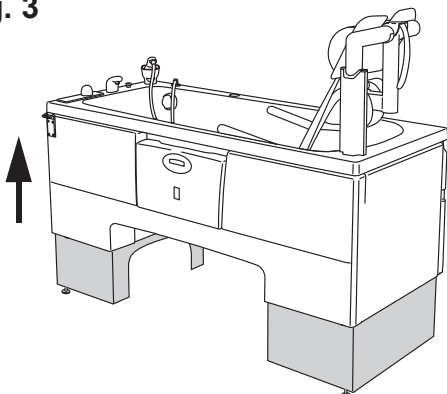


WARNING

To avoid injury, make sure before lifting to check the lifting weight of the *Malibu/Sovereign* bathtub, to make sure it is in accordance with local codes.

- 1 Lift out the *Malibu/Sovereign* bathtub from the pallet. As the upper part of the *Malibu/Sovereign* bathtub is not fixed to the lower part of the bathtub, you must lift under the lower part of the *Malibu/Sovereign* bathtub. See Fig. 1
- 2 Move the *Malibu/Sovereign* bathtub to its intended place.
- 3 Temporarily connect the *Malibu/Sovereign* bathtub mains cable to the mains power. See Fig.2 (See chapter “Electrical installation” on page 13.)
- 4 Raise the *Malibu/Sovereign* bathtub to its highest position. Disconnect the mains cable from the mains power. See Fig. 3

Fig. 3

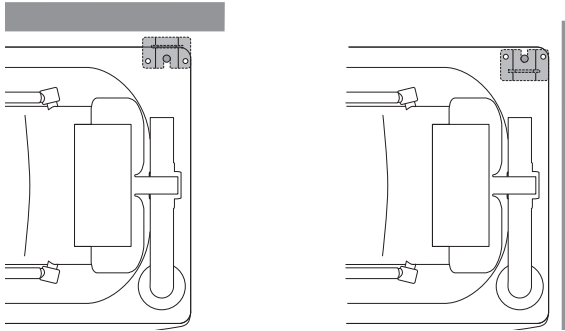


Continue with the steps on the next page.

Fig. 4

Wall position

Island position

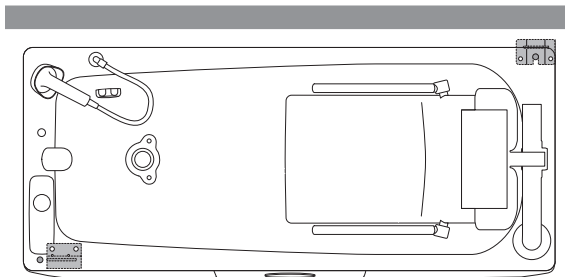


5

WARNING

To avoid injury, make sure to always place the floor fixture (A) on the head end of the *Malibu/Sovereign* bathtub, opposite from the lift arm.

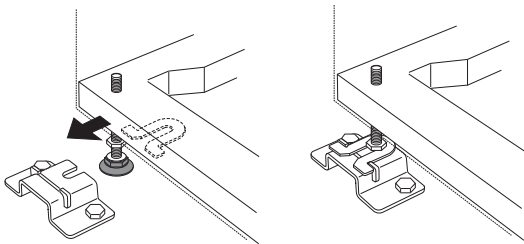
Fig. 6



Decide the position of the floor fixtures depending on if the *Malibu/Sovereign* should be mounted against a wall or in an island position. See Fig. 4

Mounted in an island position: the floor fixture (A) must be turned 180° compared to the wall mounting position. This hides the fixture under the *Malibu/Sovereign* bathtub. The (B) fixture needs to be diagonally across from fixture (A) at the foot end.

Fig. 7



6

With a pen, mark the position of the two feet with floor fixtures (A) and (B). Move the *Malibu/Sovereign* bathtub away. See Fig. 6

7

Choose fasteners (not included in delivery) for a minimum load of 1500 N / fastener and suitable for the floor construction.

8

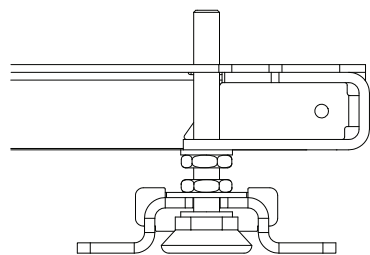
Drill holes in the floor and seal with silicone.

9

WARNING

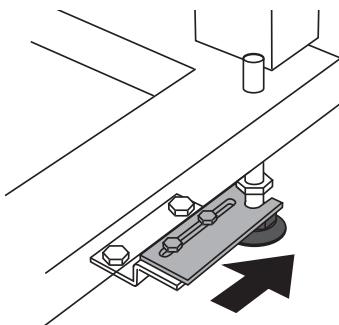
To avoid injury, make sure the two fasteners are installed at each fixture otherwise the *Malibu/Sovereign* bathtub might tip.

Fig. 8



Fasten the floor fixtures with suitable fasteners. See Fig. 7 and 8

Fig. 9



10

Move the tub back to the installation place. Adjust the level and tighten the foot nuts against the floor fixtures. See Fig. 9

Electrical installation

WARNING

To avoid injury:

- All plumbing and electrical work must be carried out by qualified personnel according to regulations and local codes.
- To avoid risk of electrical shock, this equipment must only be connected to a supply mains with protective earth.
- The unit must be continuously powered and connected to a electrical power disconnection device and have separate fuse with ground fault circuit interrupter (GFCI) in accordance with local codes and regulations.
- The product must be protected by a ground fault circuit interrupter (GFCI) (not supplied).
- Check that the electrical supply corresponds with the information on the *Malibu/Sovereign* data label.

Market	Voltage	Frequency	Mains supply fuse External fuses	Max. Power consumption	Residual Current Device
Europe	230V single phase AC	50Hz	10A	1000VA	30mA

Electrical supply

IMPORTANT:

The unit/s must be connected to a surface fused connection (minimum IPX4 rating), 10 amp supply of 230 volts AC50Hz single phase supply and meeting EN 60601-1 the safety standard for medical electrical equipment.

The power supply shall be through a RCD (Residual Current Device) not exceeding 30mA in compliance with IEE Regulations for electrical equipment in bathrooms.

Alternatively the power supply may be through a RCBO (Residual Current operated circuit breaker with integral over current protection). See overleaf for further information.

NOTE 1

The surface fused connection unit of the fixed wiring installation must have the appropriate earth bonding installed and be positioned in ZONE 1 or 2 (see figure on the next page, position C) according to IEE Regulations.

NOTE 2

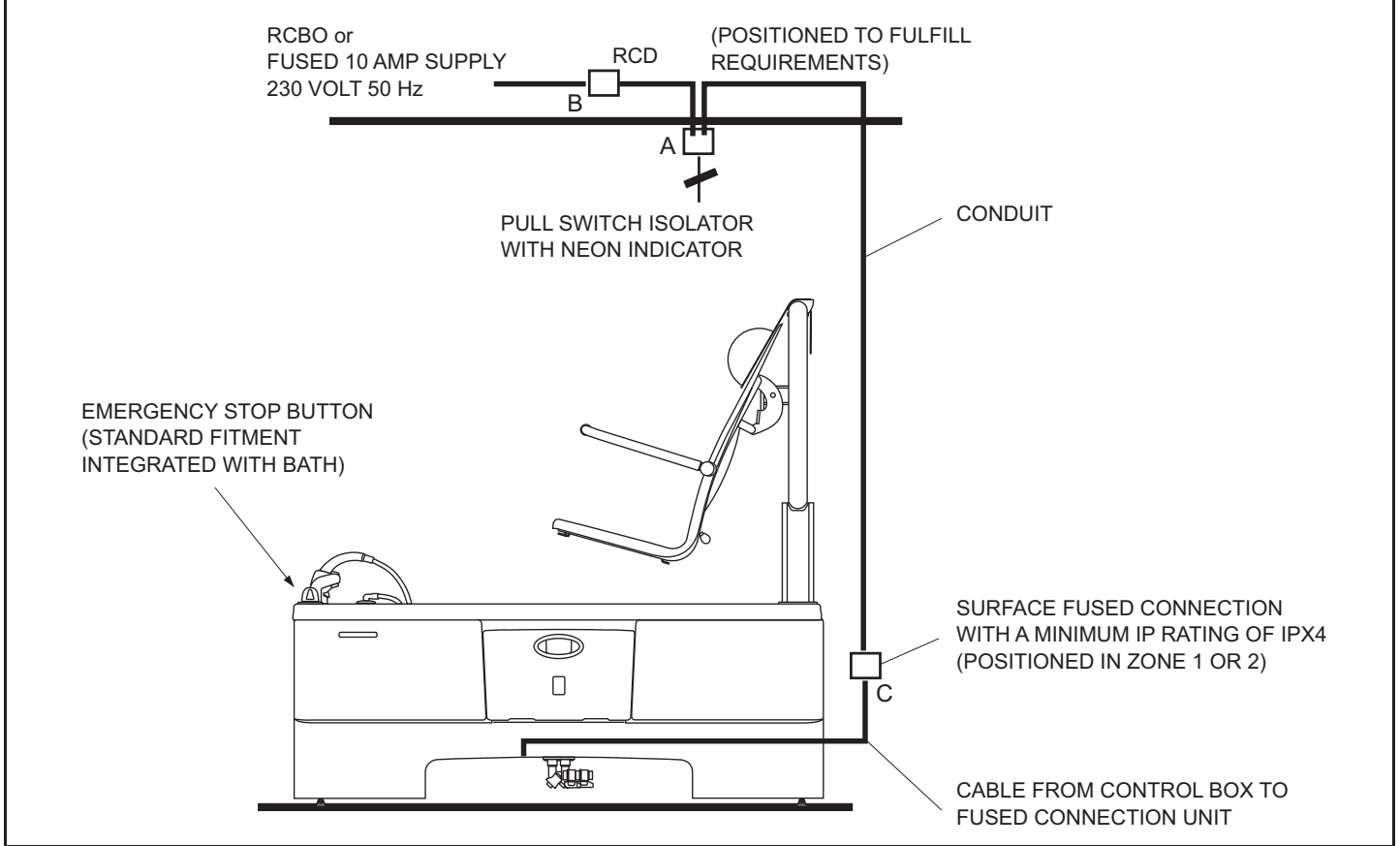
Supplementary earth bonding will be supplied via connecting the appliance by the flex to the earth terminal in the unit according to IEE Regulation 544.2.5 from BS7671:2008.

IMPORTANT:

It is the responsibility of the customer to provide the correct certificated connection for the Arjo engineer to connect the unit.

If a booster Pump assembly is installed, the base plate on which the pump assembly is mounted must be earthed.

230V supply to Malibu/Sovereign bathtub isolator inside the bathroom



Electrical fittings to be supplied by customer are:

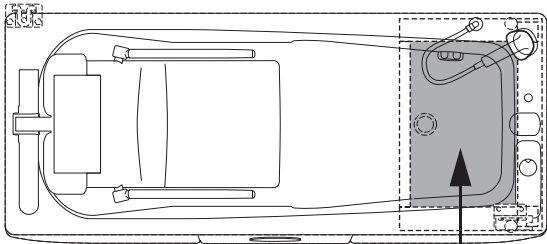
- A Ceiling mounted pull switch isolator with indicator (Double Pole with 3mm air gap) to BS EN 60669-1:2000, (was BS 3676).
- B RCD (Residual Current Device) not exceeding 30mA to BS EN 61008-1 in compliance with IEE Regulations for electrical equipment in bathrooms. Alternatively a RCBO (Residual current operated circuit breaker with integral over current protection) to BS EN 61009-1 may be used. To help in choosing a suitable device the Power consumption of the *Malibu/Sovereign* bathtub is 1000VA and at initial switch on the bath draws a peak current of 10A for a duration of 130 milliseconds. When fitting a RCBO, to avoid nuisance tripping it may be necessary to fit a 10A 30mA unit. 10A surface fused connection unit with a minimum IP rating of IPX4 in compliance with IEE Regulations for electrical equipment in bathrooms. A 5A fuse should be fitted.

- C 10A surface fused connection unit with a minimum IP rating of IPX4 in compliance with IEE Regulations for electrical equipment in bathrooms. A 5A fuse should be fitted. If there is a requirement for a Booster Pump or a Multi Clean disinfection module then a separate 10A surface fuse connection should be provided for each unit. In both instances a 5A fuse should be fitted.

Refer to Arjo Technical Support if further detail is required.

Drain installation

Fig. 1



Recommended area for floor sink drain

Drainage requirement

Min. drainage capacity 100 l/min

The *Malibu/Sovereign* bathtub must be connected to a drainage.

Use an air gap bracket, if needed.

Connections must be done in accordance with local regulations.

Drain installation alternatives

Option 1

Arjo recommends floor sink drain within the chassis foot end frame. See Fig. 1

(2 steps)

- 1 Cut the drain pipe to a suitable length according to the floor drain. See Fig. 2 and 3
Install an air gap bracket, if needed.
Remove the drain trap if not needed.
- 2 Insert both drain pipes to the water trap. See Fig. 4

Fig. 2

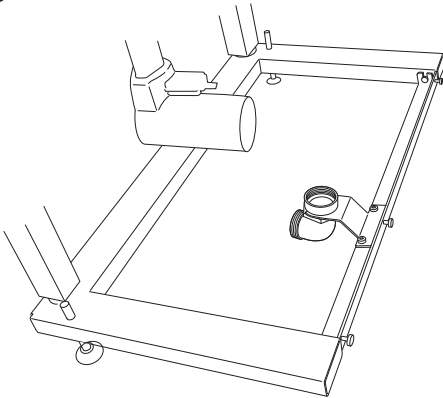


Fig. 3

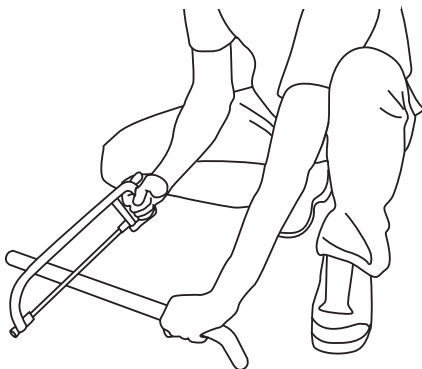


Fig. 4

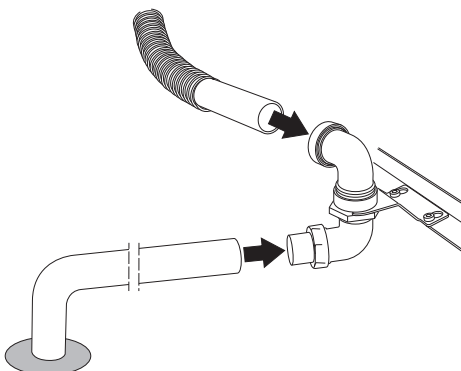
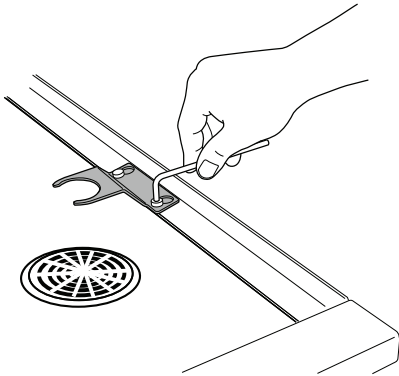


Fig. 5



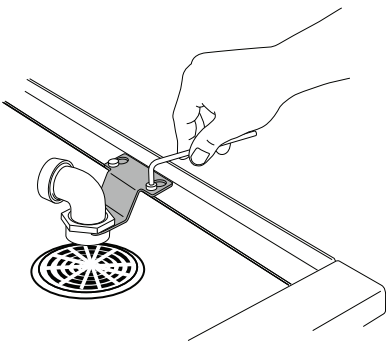
Option 2

If the water trap is placed directly over the floor drain, the installation can be done as shown in order to shorten the distance between the water trap and the floor drain. See Fig. 5 and 6

(2 steps)

- 1 Remove the water trap. Remove the two screws holding the drain bracket and turn it upside down. See Fig. 5
- 2 Screw the water trap in place. See Fig. 6

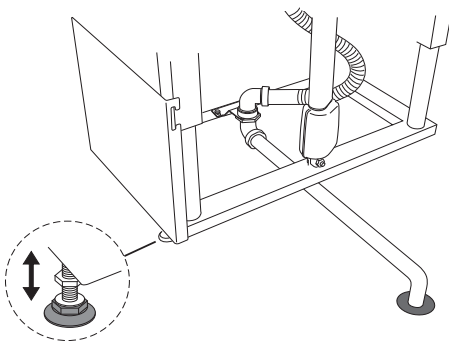
Fig. 6



NOTE

If the drain pipe is to be mounted under the *Malibu/Sovereign* bathtub chassis, turn the nut on each foot to raise the *Malibu/Sovereign* bathtub chassis. See Fig. 7

Fig. 7



Water installation

NOTE

Connection hoses (AH1014214 for hot water and AH1014219 for cold water) can be ordered from Arjo.

Water supply requirement

Max. static pressure	6 bar (600 kPa, 87 psi)
Min. dynamic pressure	1 bar (100 kPa, 15 psi)
Cold water temperature	2 - 20 °C
Hot water temperature	60 - 74 °C

Water connection requirement

Cold/Hot water connection	3/4" B.S.P male
---------------------------	-----------------

Guidance for correct installation of water hoses

IMPORTANT

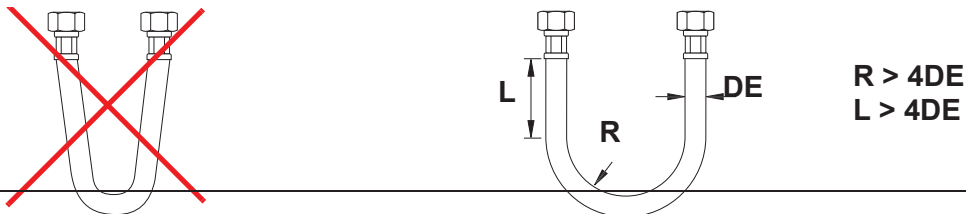
The water hoses must be installed within sight.
They must not be walled up, installed in narrow tunnels or in places where they cannot be reached and inspected.
Do not insulate the water hoses or cover them with insulating material.



Do not install water hoses in tension or in torsion.



Do not install water hoses with bending radius (R) less than those quoted in the illustration below.



Water supply

Connections are not included. Make sure to attach the proper connection to the floor and to the wall connection. The water supply can be arranged according to two main alternatives:

Option 1: Water connection from floor.

Option 2: Water connection from wall

How to connect hoses (4 steps)

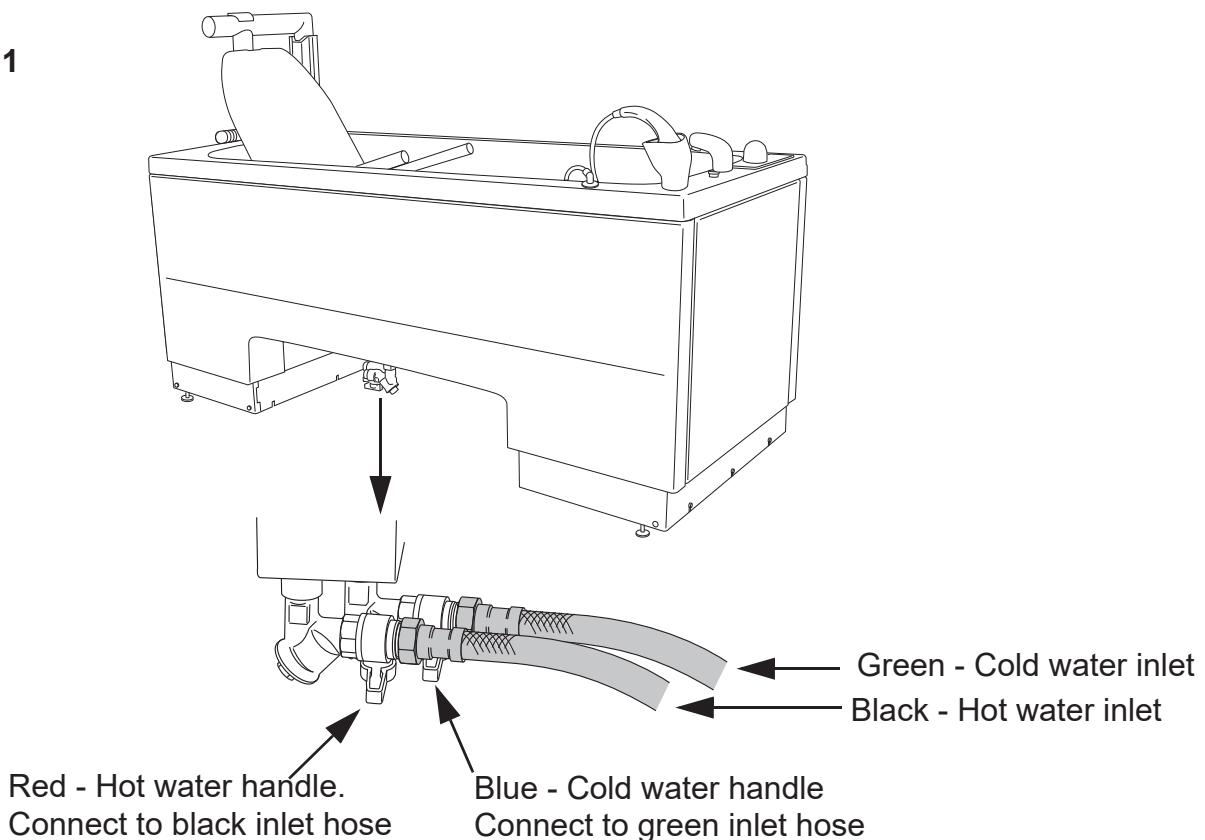
- 1 Move the *Malibu/Sovereign* bathtub so that connection hoses can be reached and connected

NOTE

Flush the connection hoses prior to connecting to the inlet valve of the *Malibu/Sovereign* bathtub.

- 2 Connect water hoses to the water inlets for hot (black G3/4") and cold (green G3/4") water inlets in the wall or in the floor.
- 3 Connect the other ends of the water hoses to the hot (black G1/2") /cold (green G3/4") water inlets on the tub. (**Figure 1.**)
- 4 Push the *Malibu/Sovereign* back into place and tighten the brackets

Fig. 1



Air in the MPA pump

Due to the possibility of air in the MPA pump 6316295, after connecting the bathtub, perform the venting the following way:

- 1** Unscrew the vent plug and let the water flow out.
- 2** After the water has been drained, close the cap and let the pump run for a few minutes.
- 3** In a situation where the pump will still have air in it - repeat the whole operation.

If the pump is not working or the pump's fuse has blown - perform manual start-up through the service hole (located at the back of the pump - radiator). Use a flathead screwdriver.

Calibration of the thermostat mixer

WARNING

To avoid injury, failure to calibrate the thermostat mixer can lead to scalding incident with possible injury. Remember to calibrate the thermostatic mixer after every installation.

WARNING

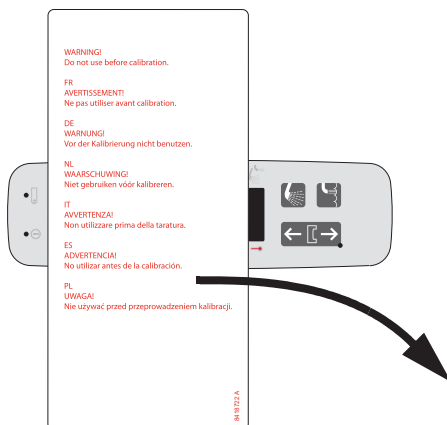
To avoid injury, make sure that the HOT water supply has a stable temperature and represents the maximum hot water temperature available before the calibration procedure starts.

WARNING

To avoid injury, always use a calibrated thermometer to check water temperatures against the panel display value.

After complete installation, calibrate the thermostat mixer (13 steps)

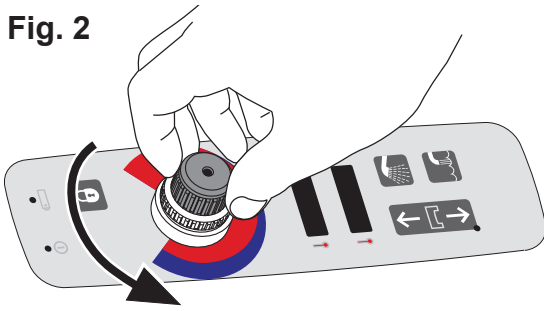
Fig. 1



- 1 Remove the calibration label fastened on the control panel. See Fig. 1
- 2 Activate the fill function.
Turn the plastic part counter clockwise and wait for the temperature to reach 44°C (- 1°C).
- 3 Try to get as close as possible to 44°C.
Water temperature over 45°C will activate the scalding protection. Remember that fill water temperature of 43°C will result in a maximum shower temperature around 40°C.
- 4 Measure it by using an external calibrated thermometer with an accuracy of $\pm 0.5^{\circ}\text{C}$.
- 5 Leave the water on for 30 seconds and make sure the water temperature is stable.
- 6 Turn on the shower and make sure the water temperature reaches 41°C (- 1°C). Measure it by using an external calibrated thermometer with an accuracy of $\pm 0.5^{\circ}\text{C}$.

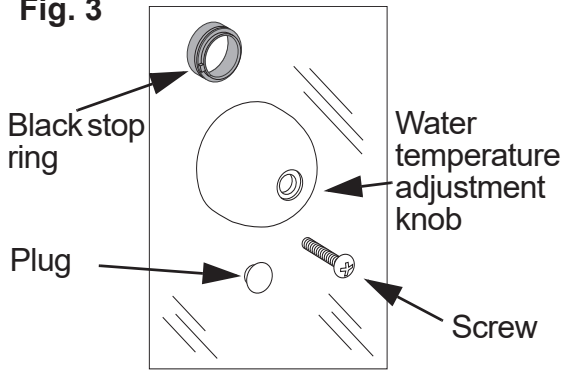
Continue with the steps on the next page.

Fig. 2



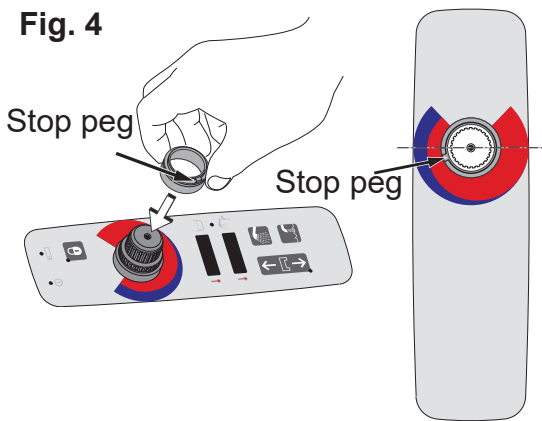
7 If not in compliance, adjust the water temperature by turning the plastic part counter-clockwise to raise the temperature or clockwise to lower the temperature. See Fig. 2

Fig. 3



8 From the assembly kit, take out the black stop ring from the plastic bag. See Fig. 3.

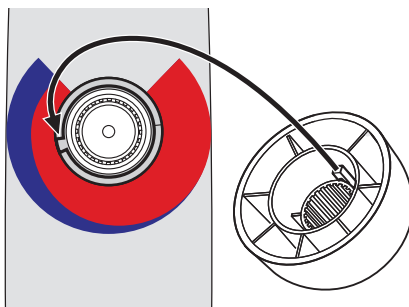
Fig. 4



9 Attach the black stop ring to the plastic part. Make sure the stop peg is positioned according to the illustration. The black stop peg should be positioned right under the red temperature marking. See Fig. 4

10 From the plastic bag take out the water temperature adjustment knob.

Fig. 5

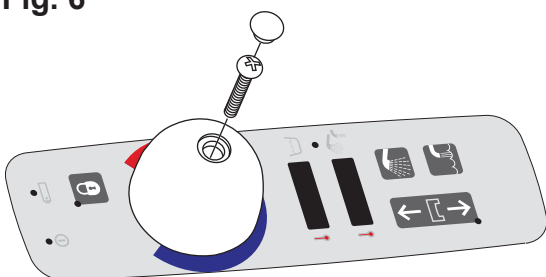


11 Push the knob on to the water temperature adjustment. Make sure the stop peg under the knob is placed right above the stop peg on the black stop ring. This prevents the knob turning counter clockwise past the end of the set hot water temperature. See Fig. 5

12 Turn the knob to cold and then back to maximum hot. Activate the fill function and check that the set temperature value doesn't exceed 44°C (-1°C). Reposition the black stop ring, if needed.

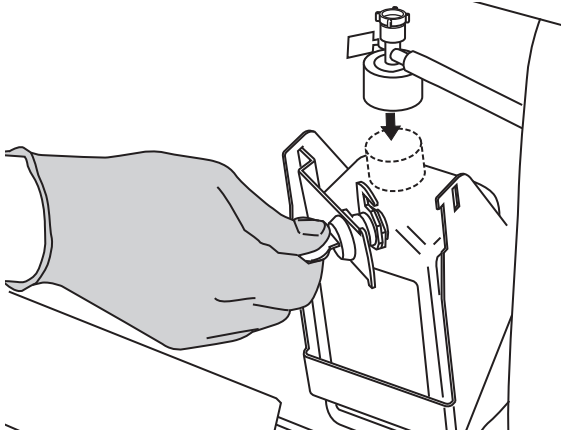
13 From the plastic bag take out the screw and plug. Tighten the knob with screw and cover with plug. See Fig. 6

Fig. 6



Connecting the disinfectant bottle

Fig. 1



WARNING

To avoid injury, do not refill the disinfectant bottles due to danger of mixing different chemicals.

(11 steps)

- 1 Put on protective gloves and glasses.
- 2 Open the disinfection door and place the disinfectant bottle in the compartment. See Fig. 1
- 3 Remove the disinfectant bottle cap,
- 4 Attach the disinfection suction part to the disinfection bottle. See Fig. 1
- 5 Lock the disinfectant bottle inside the disinfection compartment. See Fig. 1
- 6 Set the temperature control as low as possible.
- 7 Grab the disinfection spray handle.
- 8 Spray disinfection fluid while keeping an eye on the flow meter.
- 9 Check the liquid value so it is in accordance with the recommended mix ratio. See Fig. 2
If necessary, adjust the bottle suction cap to get the right mix ratio. See Fig. 3
- 10 Put the disinfection spray handle back into the compartment.
- 11 Close the disinfection door after use.

Fig. 2

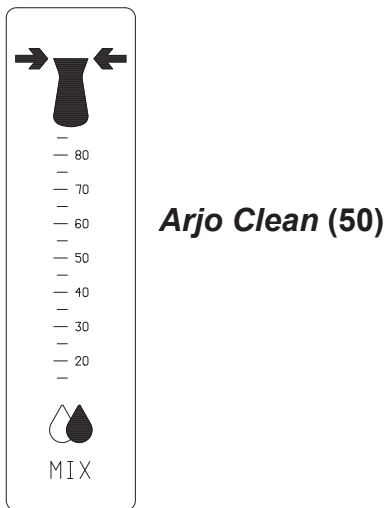
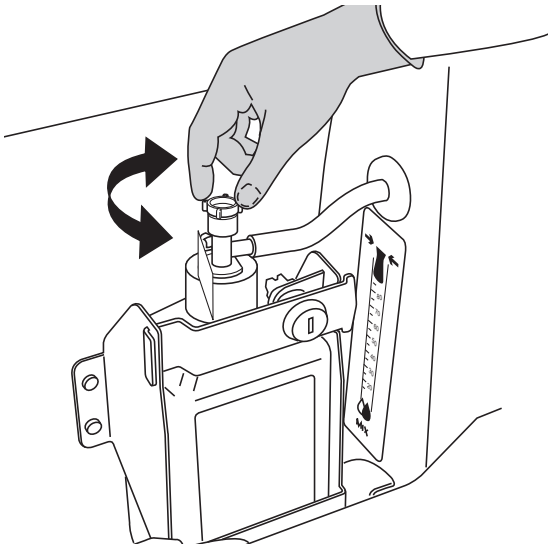
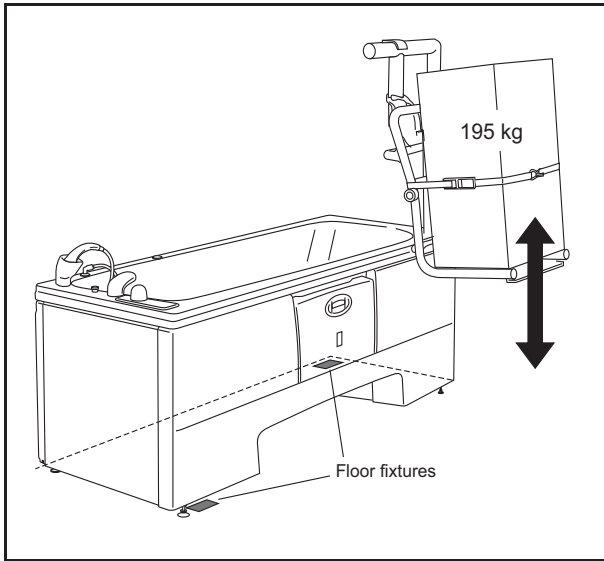


Fig. 3



Load test



Static load test of the floor fixture of the unit

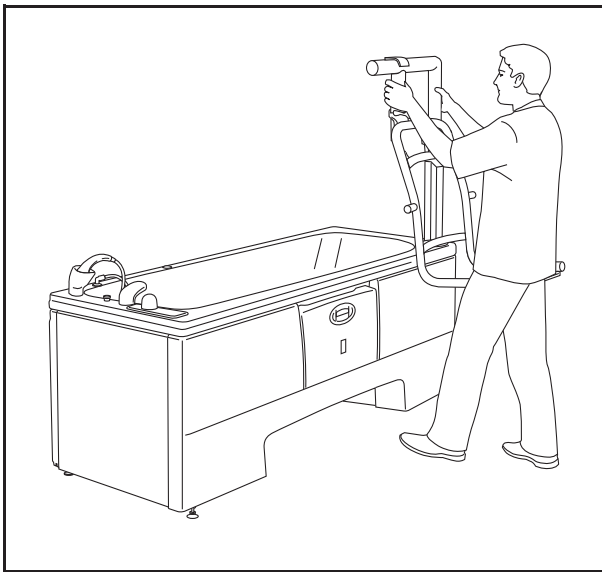
The *Malibu/Sovereign* shall be fixed to a building structure. See section "Before initial positioning (10 steps)" on page 11, before load test is performed.

CAUTION

To avoid equipment damage, do not operate the lift during the test.

CAUTION

Weight of the test load:
The maximum lifting capacity of the lift arm $130 \text{ kg} \times 1.50 = 195\text{kg}$.



- If installed, remove the wheel chassis from the transfer chair.
- Remove the seat from the transfer chair and remove the two armrests.
- Operate the hand control, position the transfer chair outside of the tub as shown, and lower to its full extent.
- Maintain the test load of 195 kg for a minimum of 20 minutes.
- Remove the load.
- Verify the fastening by pulling the lift. Make sure the brackets aren't moving and that they are securely fastened on the floor.
- Inspect the floor fastening for cracks and deformations.
- Perform a functionality test of the product

Technical specifications

General	
<i>Malibu/Sovereign</i> Bathtub width	770 mm
<i>Malibu/Sovereign</i> Bathtub length	1602 mm / 1702 mm (<i>Sovereign</i>)
Overall maximum height	2010 mm
<i>Malibu</i> tub volume 1600 (full, without resident)	237 l
<i>Malibu</i> tub volume 1700 (full, without resident)	285 l
<i>Sovereign</i> tub volume 1700 mm (full, without resident)	215 l
Max. floor load	576 kg / 1 m ²
Max. floor pressure	4.5 N/mm ²
Max. ambient temperature	40°C
Accuracy of thermometer display	+/-0.5°C
Seating Material	Polypropylene

With height adjustable <i>Malibu/Sovereign</i> bathtub and/or lift arm	
Voltage	230 V single phase AC
Frequency	50 Hz
Power consumption	1000 VA
Degree of protection against harmful ingress of water (electrical components)	Bathtub: IPX4 Hand control: IPX7
Lifting stroke (<i>Malibu/Sovereign</i> bathtub)	300 mm
Max. lifting capacity <i>Malibu/Sovereign</i> bathtub (resident + water)	415 kg
<i>Malibu/Sovereign</i> tub raising time (full load)	33 ± 5 seconds
<i>Malibu 1600 and 1700</i> tub lowering time (full load)	28 ± 2 seconds
<i>Sovereign</i> tub lowering time (full load)	29 ± 2 seconds
Lifting stroke (lift arm) <i>Malibu 1600</i>	540 mm (inside) 500mm (outside)
Lifting stroke (lift arm) <i>Malibu 1700/Sovereign</i>	585 mm (inside) 500mm (outside)
Maximum patient weight	130 kg
Cyclic time for lift arm movement (up-turn-down, full load)	
<i>Malibu 1600 and Sovereign</i> with patient lift	61 ± 2 seconds
<i>Malibu 1700</i> with patient lift	60 ± 2 seconds
Operating time (max load): Lift/High-Lo	1 min ON / 9 min OFF
Operating time (max load): <i>Air Spa</i>	15 min ON / 15 min OFF

Water connections	
Cold/hot water connection in-house supply	3/4" B.S.P Male (customers connection)
Water connection to product:	
Cold	3/4" B.S.P female
Hot	1/2" B.S.P female
Max. static pressure	6 bar (600 kPa, 87 psi)
Min. operating pressure	1 bar (100 kPa, 15 psi)
Min. drainage capacity	100 l/min.
Temperature - Cold water supply	5 - 20 °C
Temperature - Hot water supply	55 - 60 °C
For WRAS approval the inlet water must be within:	The system is tested up to 80 °C

Operating Conditions	
Ambient temperature range	5°C to 35°C
Relative humidity range	30 - 90%
Atmospheric pressure range	800 hPa to 1060 hPa

Transport and Storage	
Ambient temperature range	-20°C to 70°C
Relative humidity range	10 - 80% at 20°C
Atmospheric pressure range	500 hPa to 1100 hPa

Recycling	
Battery	Recyclable. Not for disposal. Environment danger.
Package	Wood and corrugated cardboard, recyclable.
The product	Electric, Metal and Plastic Parts shall be separated and recycled according to marking on the unit.(WEEE)

Disposal of *Malibu/Sovereign* bathtub

Malibu/Sovereign Bathtub

End of Life Disposal

- Equipment that has electrical and electronic components should be disassembled and recycled per Waste of Electrical and Electronic Equipment (WEEE) or in accordance with local or national regulation.
- Disinfection liquids – if you have extra liquid, it's safe to pour it down the drain with running water. These products are water soluble and usually mixed with water when used for cleaning, your municipality will treat these cleaners the same way they would if you used them for cleaning.
- The packaging containers should be recycled

AUSTRALIA

Arjo Australia
Building B, Level 3
11 Talavera Road
Macquarie Park, NSW, 2113,
Australia
Phone: 1800 072 040

BELGIQUE / BELGIË

Arjo Belgium
Evenbroekveld 16
9420 Erpe-Mere
Phone: +32 (0) 53 60 73 80
Fax: +32 (0) 53 60 73 81
E-mail: info.belgium@arjo.com

BRASIL

Arjo Brasil Equipamentos Médicos Ltda
Rua Marina Ciufulli Zanfelice, 329 PB02
Galpão - Lapa
São Paulo - SP - Brasil
CEP: 05040-000
Phone: 55-11-3588-5088
E-mail: vendas.latam@arjo.com
E-mail: servicios.latam@arjo.com

CANADA

Arjo Canada Inc.
90 Matheson Boulevard West
Suite 350
CA-MISSISSAUGA, ON, L5R 3R3
Tel/Tél: +1 (905) 238-7880
Free: +1 (800) 665-4831
Fax: +1 (905) 238-7881
E-mail: info.canada@arjo.com

ČESKÁ REPUBLIKA

Arjo Czech Republic s.r.o.
Na Strži 1702/65
140 00 Praha
Czech Republic
Phone No: +420225092307
E-mail: info.cz@arjo.com

DANMARK

Arjo A/S
Vassingerødvej 52
DK-3540 LYNGE
Tel: +45 49 13 84 86
Fax: +45 49 13 84 87
E-mail: dk_kundeservice@arjo.com

DEUTSCHLAND

Arjo GmbH
Peter-Sander-Strasse 10
DE-55252 MAINZ-KASTEL
Tel: +49 (0) 6134 186 0
Fax: +49 (0) 6134 186 160
E-mail: info-de@arjo.com

ESPAÑA

ARJO IBERIA S.L.
Poligono Can Salvatella
c/ Cabanyes 1-7
08210 Barberà del Valles
Barcelona - Spain
Telefono 1: +34 900 921 850
Telefono 2: +34 931 315 999

FRANCE

Arjo SAS
2 Avenue Alcide de Gasperi
CS 70133
FR-59436 RONCQ CEDEX
Tél: +33 (0) 3 20 28 13 13
Fax: +33 (0) 3 20 28 13 14
E-mail: info.france@arjo.com

HONG KONG

Arjo Hong Kong Limited
Room 411-414, 4/F, Manhattan Centre,
8 Kwai Cheong Road, Kwai Chung, N.T.,
HONG KONG
Tel: +852 2960 7600
Fax: +852 2960 1711

ITALIA

Arjo Italia S.p.A.
Via Giacomo Peroni 400-402
IT-00131 ROMA
Tel: +39 (0) 6 87426211
Fax: +39 (0) 6 87426222
E-mail: italy.promo@arjo.com

MIDDLE EAST

Arjo Middle East FZ-LLC
Office 908, 9th Floor,
HQ Building, North Tower,
Dubai Science Park,
Al Barsha South
P.O. Box 11488, Dubai,
United Arab Emirates
Direct +971 487 48053
Fax +971 487 48072
Email: Info.ME@arjo.com

NEDERLAND

Arjo Nederland BV
Biezenwei 21
4004 MB TIEL
Postbus 6116
4000 HC TIEL
Tel: +31 (0) 344 64 08 00
Fax: +31 (0) 344 64 08 85
E-mail: info.nl@arjo.com

NEW ZEALAND

Arjo Ltd
34 Vestey Drive
Mount Wellington
NZ-AUCKLAND 1060
Tel: +64 (0) 9 573 5344
Free Call: 0800 000 151
Fax: +64 (0) 9 573 5384
E-mail: nz.info@Arjo.com

NORGE

Arjo Norway AS
Olaf Helsets vei 5
N-0694 OSLO
Tel: +47 22 08 00 50
Faks: +47 22 08 00 51
E-mail: no.kundeservice@arjo.com

ÖSTERREICH

Arjo Austria GmbH
Lemböckgasse 49 / Stiege A / 4.OG
A-1230 Wien
Tel: +43 1 8 66 56
Fax: +43 1 866 56 7000

POLSKA

Arjo Polska Sp. z o.o.
ul. Ks Piotra Wawrzyniaka 2
PL-62-052 KOMORNIKI (Poznań)
Tel: +48 691 119 999
E-mail: arjo@arjo.com

PORTUGAL

Arjo em Portugal
MAQUET Portugal, Lda.
(Distribuidor Exclusivo)
Rua Poeta Bocage n.º 2 - 2G
PT-1600-233 Lisboa
Tel: +351 214 189 815
Fax: +351 214 177 413
E-mail: Portugal@arjo.com

SUISSE / SCHWEIZ

Arjo Switzerland AG
Fabrikstrasse 8
Postfach
CH-4614 HÄGENDORF
Tél/Tel: +41 (0) 61 337 97 77
Fax: +41 (0) 61 311 97 42

SUOMI

Arjo Scandinavia AB
Riihitontuntie 7 C
02200 Espoo
Finland
Puh: +358 9 6824 1260
E-mail: Asiakaspalvelu.finland@arjo.com

SVERIGE

Arjo International HQ
Hans Michelsensgatan 10
SE-211 20 MALMÖ
Tel: +46 (0) 10 494 7760
Fax: +46 (0) 10 494 7761
E-mail: kundservice@arjo.com

UNITED KINGDOM

Arjo UK and Ireland
Houghton Hall Park
Houghton Regis
UK-DUNSTABLE LU5 5XF
Tel: +44 (0) 1582 745 700
Fax: +44 (0) 1582 745 745
E-mail: sales.admin@arjo.com

USA

Arjo Inc.
2349 W Lake Street Suite 250
US-Addison, IL 60101
Tel: +1 (630) 307-2756
Free: +1 (800) 323-1245
Fax: +1 (630) 307 6195
E-mail: us.info@arjo.com

JAPAN

Arjo Japan K.K.
東京都港区虎ノ門三丁目7番8号
ランドイック第2虎ノ門ビル9階
Tel: +81 (0)3-6435-6401
Fax: +81 (0)3-6435-6402
E-mail: info.japan@arjo.com

At Arjo, we believe that empowering movement within healthcare environments is essential to quality care. Our products and solutions are designed to promote a safe and dignified experience through patient handling, medical beds, personal hygiene, disinfection, diagnostics, and the prevention of pressure injuries and venous thromboembolism. With over 6500 people worldwide and 65 years caring for patients and healthcare professionals, we are committed to driving healthier outcomes for people facing mobility challenges.



ArjoHuntleigh AB
Hans Michelsensgatan 10
211 20 Malmö, Sweden
www.arjo.com

arjo

CE
2797