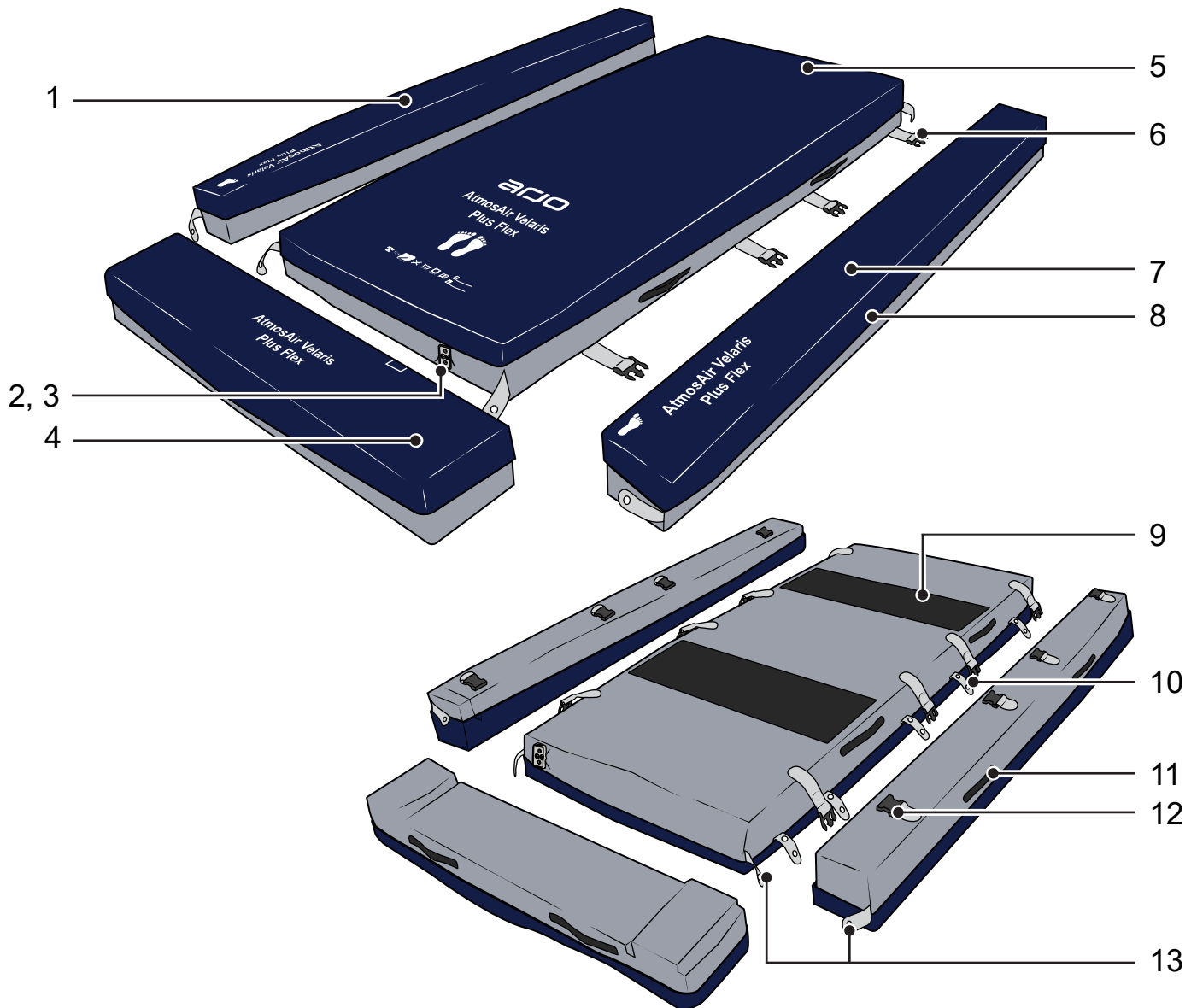


AtmosAir Velaris - Plus Flex

For use with Citadel Plus bed frame



1. Left side bolster
2. Mattress connector
3. Mattress connector cavity
4. Foot bolster
5. Mattress
6. Buckles (four on each side)
7. Right side bolster
8. Cover attachment zip with zip flap
9. Non-Slip strips
10. Cable management loops
11. Handles (two on each bolster)
12. Buckles (four on each bolster)
13. Side bolster retaining straps (two at the head end, two at the foot end)

Assemble the Plus Flex

Only use the Plus Flex with a Citadel Plus bed frame.

For active therapy, assemble the Plus Flex with the AtmosAir Velaris pump.

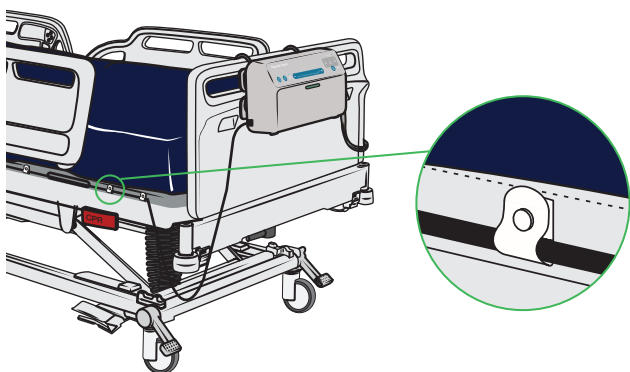
For reactive therapy, do not connect the pump. If the mattress is connected to the pump, disconnect the pump tube-set connector.

1. Place the Plus Flex mattress central on the bed frame.
2. For active therapy, hang the pump on the foot board of the bed. For reactive therapy, go to step 6.

3. **WARNING**
To avoid risks of tripping or strangulation, always use the cable management for the power cable.

Place the pump power cable in the cable management loops. If the foot bolster will be used, leave slack in cable at the foot end of the bed.

4. Secure the cable using the locking clips.

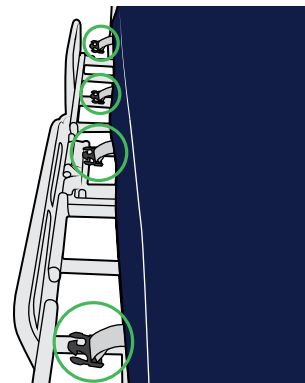


5. Fold down the zip flap over the power cable and loops.

6. **WARNING**
To avoid risk of falling or entrapment, make sure there is a caregiver present on the open side of the bed frame, when assembling or removing the bolsters.

Extend the width of the left side of the Citadel Plus bed frame fully, for instructions see Citadel Plus IFU.

7. Make sure all mattress buckles, four on each side, are placed on top of the extended bed frame.

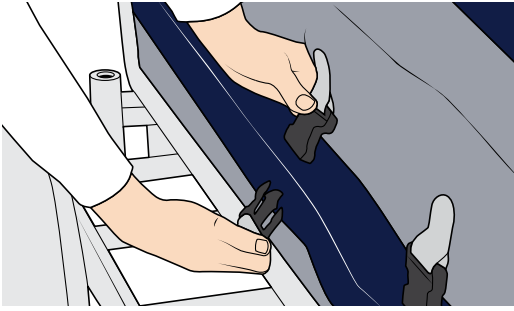


8. Place the left side bolster on the edge of the mattress, make sure that the foot print is located at the foot end and that the handles are turned upwards.



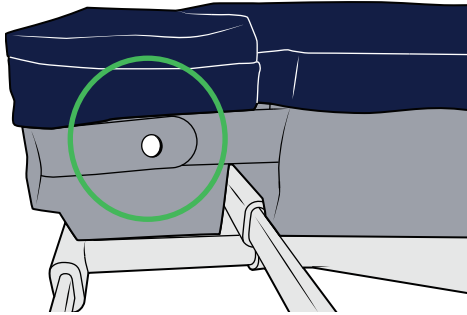
9. Align the buckles on the side bolster with the buckles on the mattress.

10. Attach the four buckles.



11. Fold down the side bolster onto the bed frame. Make sure the side bolster is firmly fitted in the extension and at level with the mattress.

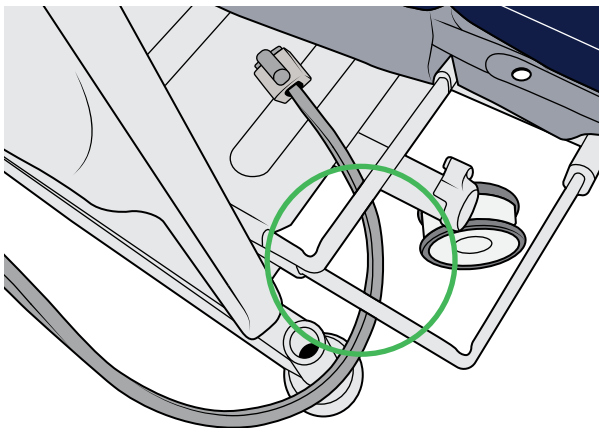
12. Attach the side bolsters to the mattress, using the locking clips on the retaining straps. There are two at the foot end and two at the head end.



13. Repeat steps 6-12 for the right side bolster.

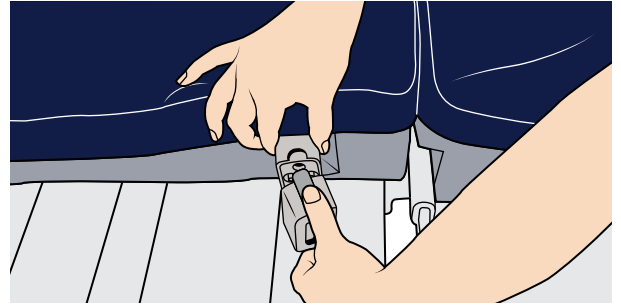
14. Extend the length of the Citadel Plus bed frame fully.

15. Pull the tube-set connector on the pump through the foot end gap on the right side of the bed frame.



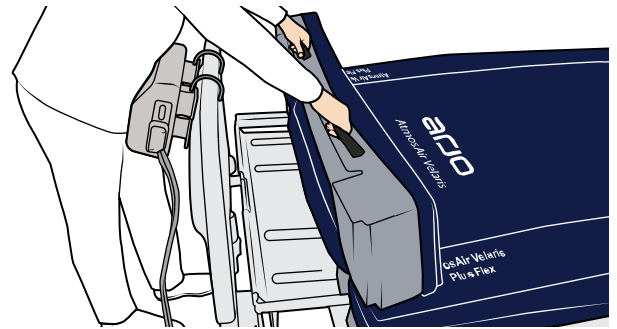
16. Pull the mattress connector slightly out of its cavity.

17. Press the connectors together. Make sure that the pump tube-set connector clicks into place on both sides (double-click).

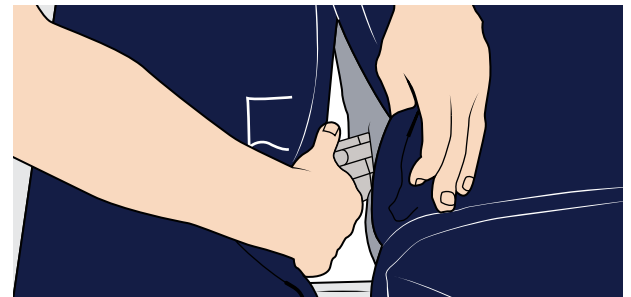


18. Push the mattress connector back into the mattress cavity.

19. Place the foot bolster at the foot end of the mattress.

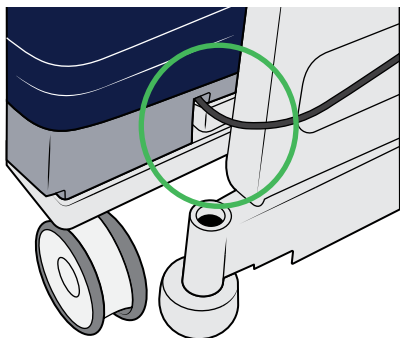


20. Fold down the foot bolster onto the bed frame. Make sure that the connectors are aligned with the square marking on the top cover of the foot bolster.



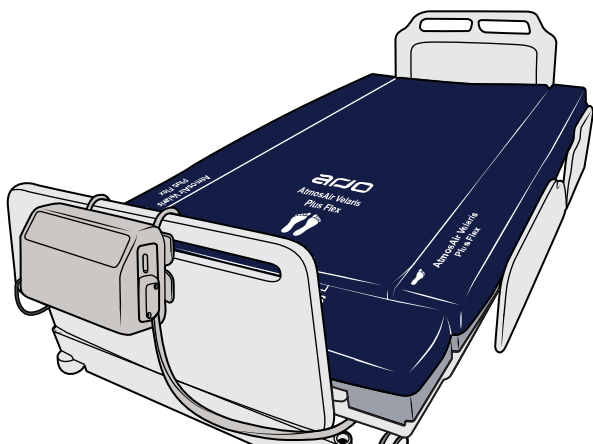
21. Reposition the zip flap.

22. Lift up the foot bolster and place the power cable in the left cavity.



23. For all bolsters, make sure:

- The bolsters are the same height as the mattress.
- The print on the top cover is visible.
- All handles on the bolsters are on the outside.
- All buckles are securely attached to the mattress.
- All locking clips are attached, on both the head and foot end of the mattress.
- All zip flaps are folded down, covering the zips.



24.

! WARNING

To avoid risk of falling or entrapment, make sure that the patient is placed at the centre of the mattress.

Place the patient at the centre of the mattress.

25. Make sure all side rails are up.

Transport mode

! WARNING

To avoid risk of falling or entrapment, make sure there is a caregiver present on the open side of the bed frame, when assembling or removing the bolsters.

The side bolsters and/or the foot bolster might need to be removed and reassembled during transport, for example to fit in an elevator.

Make sure there is a caregiver present at the open side of the bed at all times and make sure that the patient's arms and feet are clear of the bolsters.

Never leave extended sides open. Retract the foot end or the side of the bed frame once each bolster has been removed.

Patient leaving bed

! WARNING

To avoid risk of falling when a patient is leaving the bed, make sure there is a caregiver present on the open side of the bed frame.

When the patient needs to leave the bed, make sure there is a caregiver present at the open side at all times.

Disassemble the Plus Flex

Do not leave extended sides open. For instructions on how to retract the bed frame, see Citadel Plus IFU.

1. Lift out the foot bolster.
2. If applicable, disconnect the pump tube-set connector.
3. Retract the foot end of the bed frame.
4. Detach the retaining straps on the left side bolster.
5. Lift up the left side bolster onto the mattress.
6. Detach the four buckles.
7. If applicable, detach the cable from the cable management loops.
8. Retract the left side of the bed frame.
9. Detach the retaining straps on the right side bolster.
10. Lift up the right side bolster onto the mattress.
11. Detach the four buckles.
12. Retract the right side of the bed frame.