

# Malibu/Sovereign



## Disinfect with disinfection unit

### Remove visual residue

**1**

Put on protective gloves and eye wear.

**2**

Turn off all functions. Make sure the transfer chair is inside the bathtub.

**3**

Open the drain. Detach and place all accessories at the bottom of the bathtub.

**4**

With water, shower and rinse the bathtub, lifting arm, transfer chair and all sides of the loose parts and accessories.

### Clean

**5**

Lift out the disinfection spray handle.

**6**

Press the disinfection button for 5 seconds.

**7**

**For bathtubs with Air Spa system:**  
The automatic disinfection will start. Approximate time for the automatic disinfection is 3 to 4 minutes. 10 seconds after the start, the disinfection spray handle is activated for 2 minutes before it shuts off.

**8**

Spray disinfectant into the bathtub until the flow meter (A) shows correct mixing value according to the Instructions for use. Adjust if needed (B). Adjust water temperature to 20°C.

**9**

Spray disinfectant in the drain. Scrub the drain with a brush. Close the drain.

**10**

Spray disinfectant on all internal bathtub surfaces, lifting arm, transfer chair and on all sides of the loose parts and accessories.

**11**

Spray into the surface overflow outlet.

**12**

Scrub all internal bathtub surfaces, lifting arm, transfer chair and the accessories thoroughly.

**13**

Soak a cloth in disinfectant. Wipe all other contact areas such as the outside of the bathtub, hand control and the transfer chassis with the cloth.

**14**

**For bathtubs with Air Spa system**  
Disinfection cycle will turn off automatically.  
**For bathtubs without Air Spa system**  
Press the Disinfection button to end the disinfection process.

**15**

Put the disinfection spray handle back.

**16**

Open the drain. Rinse all parts with plenty of water having a temperature of 25 °C.

**17**

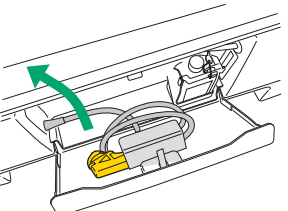
Wet a new cloth with water and remove the disinfectant. Occasionally rinse the cloth in running water.

Continue with the steps on the next page

# Disinfect with disinfection unit (continued)

## Disinfect

**18**



Lift out the disinfection spray handle.

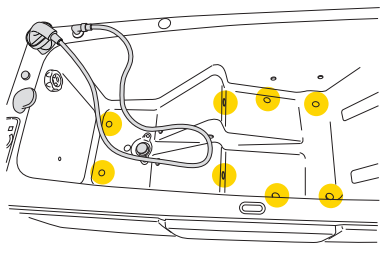
**19**



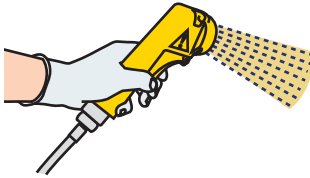
Press the disinfection button for 5 seconds.

**20**

**For bathtubs with Air Spa system:**  
The automatic disinfection will start. Approximate time for the automatic disinfection is 3 to 4 minutes. 10 seconds after the start, the disinfection spray handle is activated for 2 minutes before it shuts off.




**21**



Spray disinfectant in the drain. Close the drain.


**22**

Spray disinfectant on all internal bathtub surfaces, lifting arm, transfer chair and on all sides of the loose parts and accessories.



**23**

Soak a cloth in disinfectant. Wipe all other contact areas such as the outside of the bathtub, hand control and the transfer chassis with the cloth.




**24**

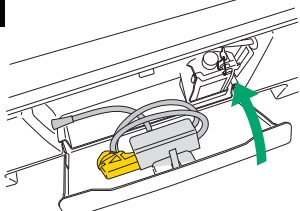
Allow appropriate contact time according to the instructions of the disinfectant.

**25**

**For bathtubs with Air Spa system**  
Disinfection cycle will turn off automatically.  
**For bathtubs without Air Spa system**  
Press the Disinfection button to end the disinfection process.




**26**

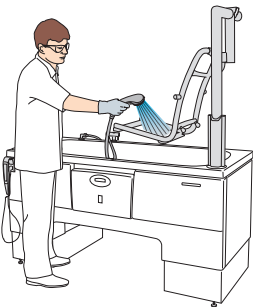


Put the disinfection spray handle back.

**27**




Open the drain. Rinse all parts with water having a temperature of 25 °C.



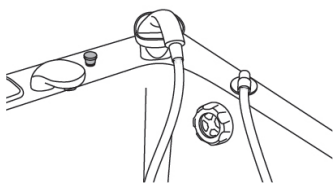
**28**

Wet a new cloth with water and remove disinfectant. Occasionally rinse the cloth in running water.



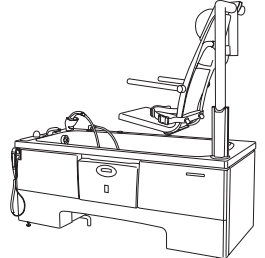
**29**

Place the shower handle in the holder.



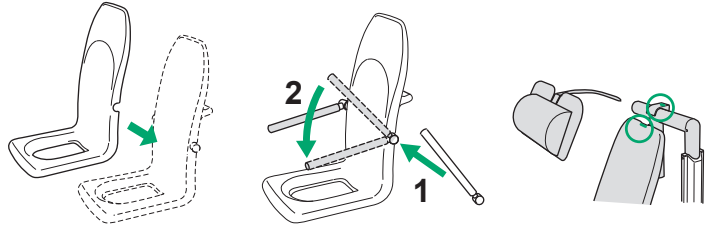
**30**

Leave to air dry.



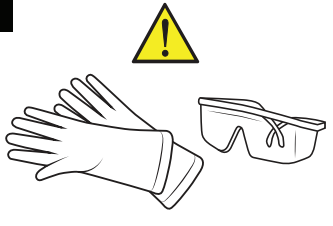
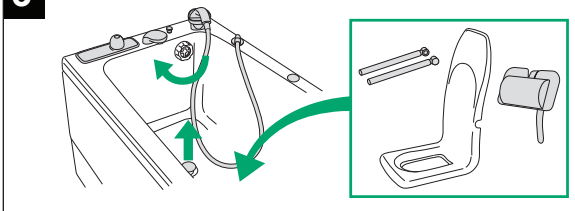
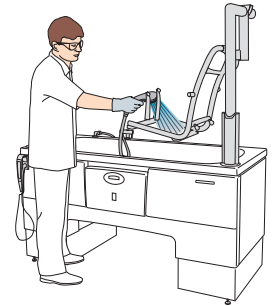
**31**

Attach armrests and seat. Make sure the seat is attached. Attach the neck pillow, safety belt and rest of the accessories.


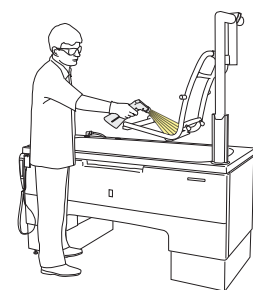
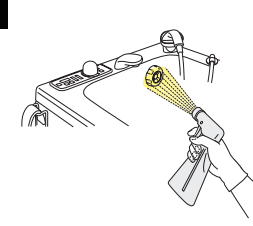







# Disinfect with spray bottle



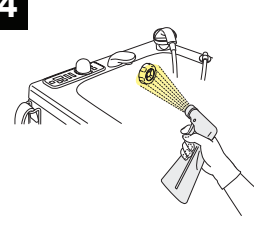


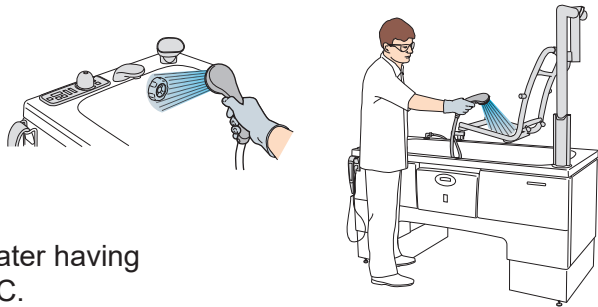

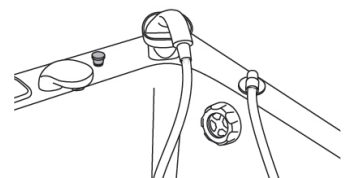
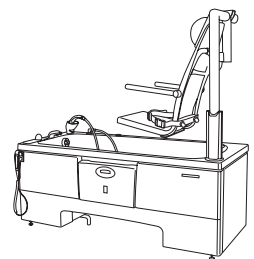
## Remove visual residue

<p><b>1</b></p>  <p>Put on protective gloves and eye wear.</p>	<p><b>2</b></p> <p>Turn off all functions. Make sure the transfer chair is inside the bathtub.</p>	<p><b>3</b></p>  <p>Open the drain. Detach and place all accessories at the bottom of the bathtub.</p>	<p><b>4</b></p> <p>With water, shower and rinse the bathtub, lifting arm, transfer chair and all sides of the loose parts and accessories.</p> 
---	--	--	--

## Clean

<p><b>5</b></p>  <p>Spray disinfectant in the drain. Scrub the drain with a brush. Close the drain.</p>	<p><b>6</b></p> <p>Spray disinfectant on all internal bathtub surfaces, lifting arm, transfer chair and on all sides of the loose parts and accessories.</p> 	<p><b>7</b></p>  <p>Spray into the surface overflow outlet.</p>	<p><b>8</b></p> <p>Scrub all internal bathtub surfaces, lifting arm, transfer chair, the loose parts and the accessories thoroughly.</p> 
<p><b>9</b></p> <p>Soak a cloth in disinfectant. Wipe all other contact areas such as the outside of the bathtub, hand control and the transfer chassis with the cloth.</p> 	<p><b>10</b></p>  <p>Open the drain. Rinse all parts with plenty of water having a temperature of 25 °C.</p> 	<p><b>11</b></p> <p>Wet a new cloth with water and remove the disinfectant. Occasionally rinse the cloth in running water.</p> 	

## Disinfect

<p><b>12</b></p>  <p>Spray disinfectant in the drain. Close the drain.</p>	<p><b>13</b></p> <p>Spray disinfectant on all internal bathtub surfaces, lifting arm, transfer chair and on all sides of the loose parts and accessories.</p> 	<p><b>14</b></p>  <p>Spray into the surface overflow outlet.</p>	<p><b>15</b></p> <p>Soak a cloth in disinfectant. Wipe all other contact areas such as the outside of the bathtub, hand control and the transfer chassis with the cloth.</p> 
<p><b>16</b></p> <p>Allow appropriate contact time according to the instructions of the disinfectant.</p>	<p><b>17</b></p>  <p>Open the drain. Rinse all parts with water having a temperature of 25 °C.</p> 	<p><b>18</b></p> <p>Wet a clean cloth with water and remove the disinfectant. Occasionally rinse the cloth in running water.</p> 	
<p><b>19</b></p>  <p>Place the shower handle in the holder.</p>	<p><b>20</b></p>  <p>Leave to air dry.</p>	<p><b>21</b></p> <p>Attach armrests and seat. Make sure the seat is attached. Attach the neck pillow, safety belt and rest of the accessories.</p> 