

## Cleaning

### Allowed disinfectants

- Arjo Clean
- Arjo General Purpose Disinfectant
- Arjo Disinfectant Cleanser IV
- Arjo All Purpose Disinfectant
- Arjo CenKleen IV

### Accessories

- Protective glasses
- Protective gloves
- Spray bottle (if a shower panel is not available)
- Disinfectant fluid
- Disposable towels
- Soft bristle cleaning brush
- Bottle brush

**1**

Put on protective gloves and eye wear.

**2**

Check that disinfectant is mixed according to:  
 - disinfectant bottle label or  
 - mix ratio stated in the shower panel IFU

**3**

Remove lower drainage and pillow.

**4**

Rinse with water. Start from top of the mattress down towards castors.

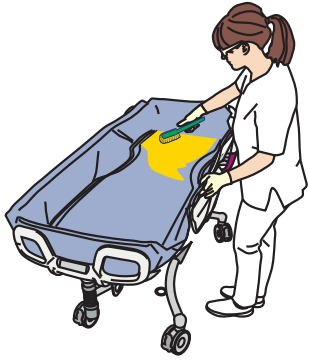
**5**

Rinse lower drainage and pillow with water.

*Continue with steps on next page*

## Cleaning continued

6



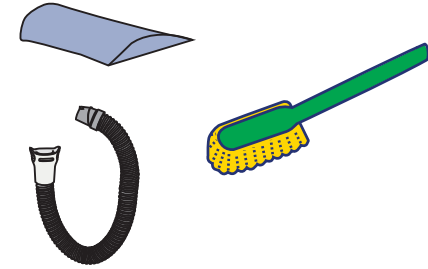
Use a soft bristle cleaning brush with disinfectant. Scrub from top of mattress down towards castors. Use a bottle brush soaked in disinfectant. Clean upper drainage.

7



Clean underside of mattress, support plates and outside of upper drainage.

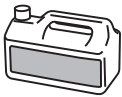
8



Use a soft bristle cleaning brush. Scrub pillow and lower drainage separately. Avoid contact with mattress until pillow has been disinfected.

## Disinfecting

9



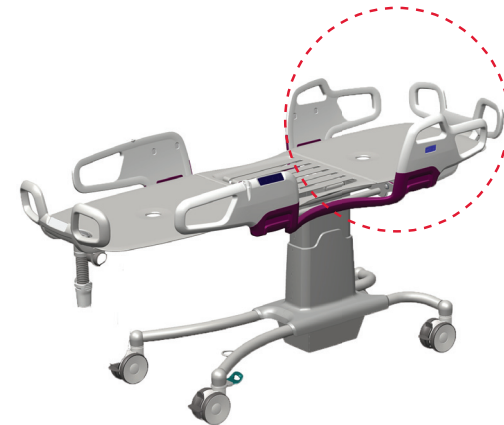
Lift up and place mattress over foot panel and side supports. Backside of mattress facing up. Spray disinfectant on backside of mattress.

10



Clean the backside of mattress with a disposable towel.

11

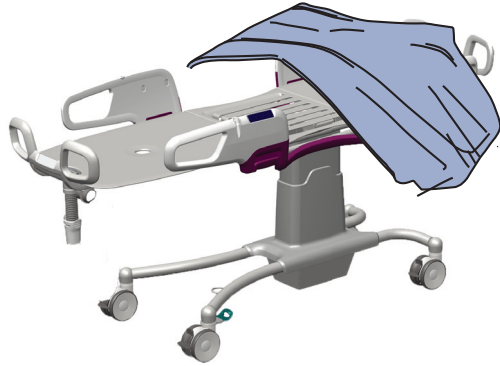


Spray disinfectant and clean following parts on head end: head panel, side supports, support plate and flexi zone with a disposable towel.

*Continue with steps on next page*

## Disinfecting continued

12



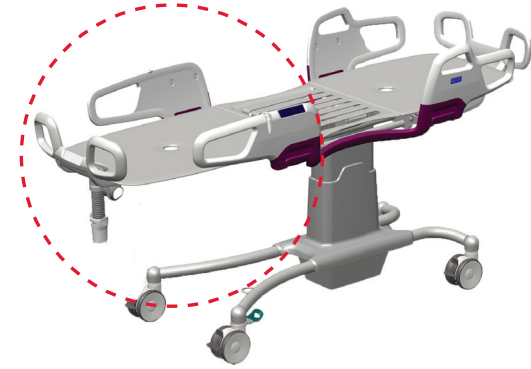
Place disinfected backside of mattress over disinfected head panel and side supports. Non-disinfected inside of mattress facing up. Push out mattress corner creases.

13



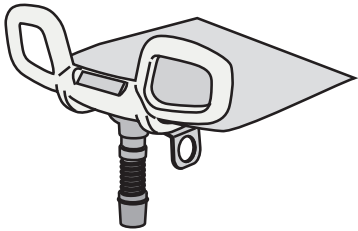
Spray disinfectant and clean mattress inside with a disposable towel. Push in mattress corner creases.

14



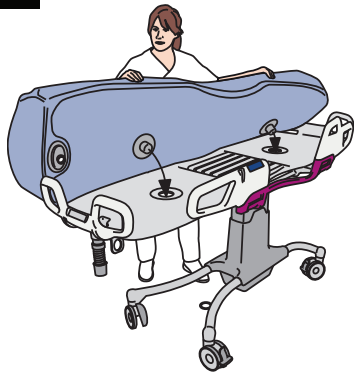
Spray disinfectant and clean following parts on foot end: foot panel, side supports, support plate, flexi zone and upper drainage with a disposable towel.

15



Spray disinfectant on upper drainage and clean with a bottle brush.

16



Place mattress in its original position.

17



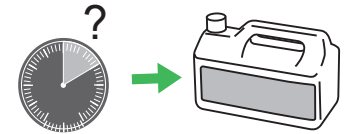
Spray with disinfectant. Start from top of mattress down towards castors.

18



Clean with a disposable towel. Start from top of mattress down towards castors.

19

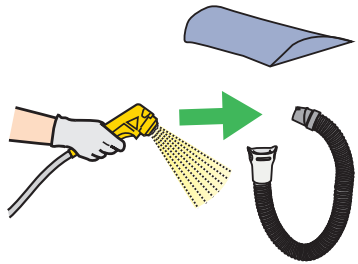


Allow appropriate contact time of the disinfectant.

*Continue with steps on next page*

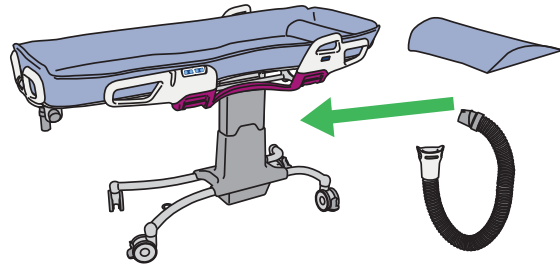
## Disinfecting continued

20



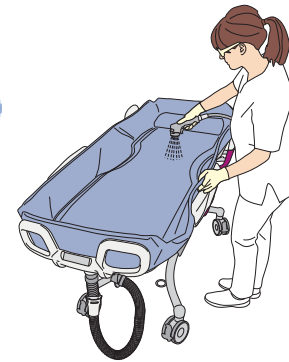
Spray disinfectant to clean pillow and lower drainage separately with a disposable towel.

21



Attach lower drainage to upper drainage and place pillow on mattress.

22



Rinse all parts with cold water until there are no traces of disinfectant. Start from top of mattress down towards castors. Rinse underneath mattress.

23



Wipe each part completely dry using disposable towels.