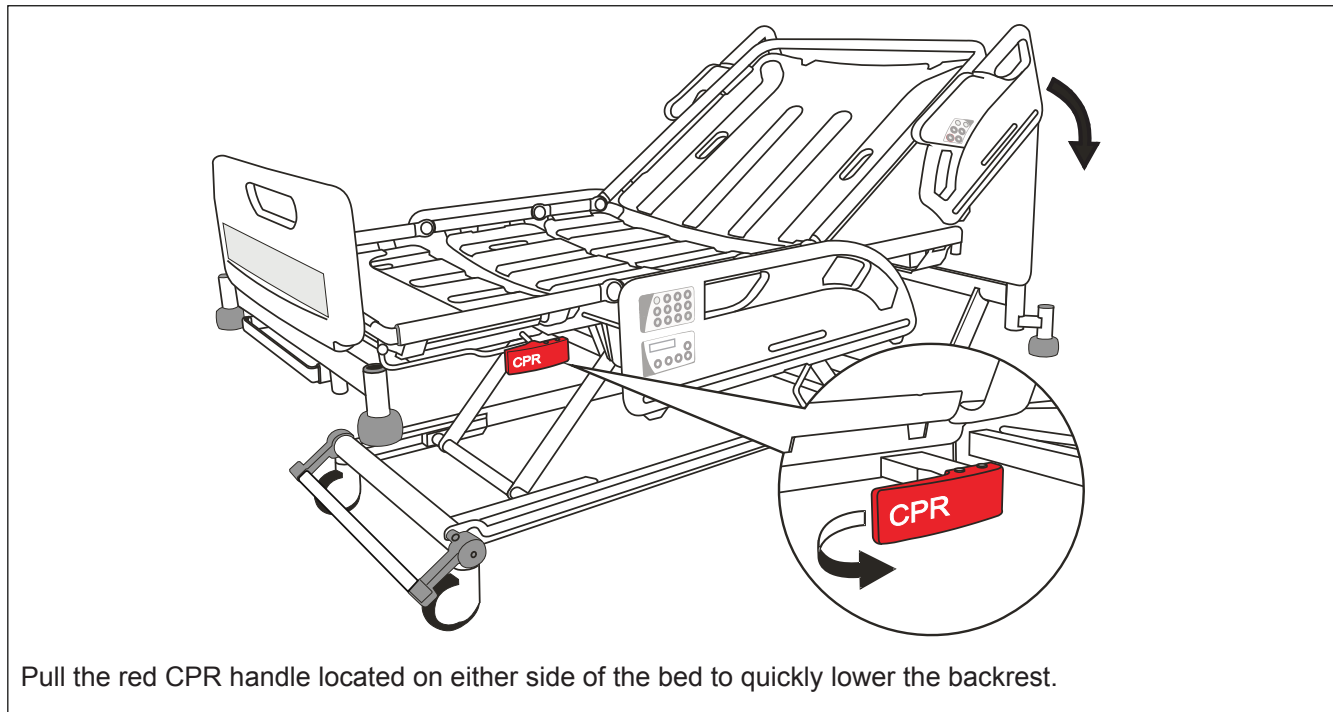
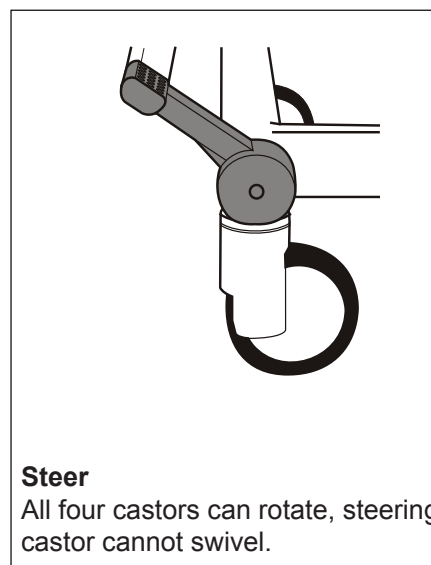
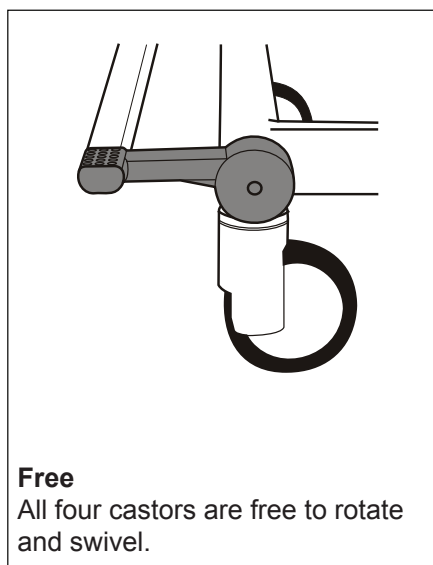
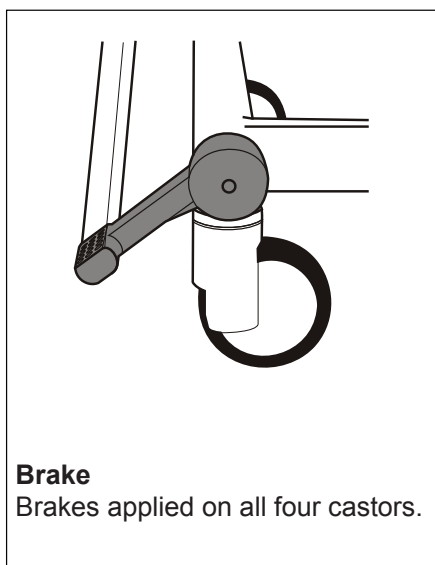


Enterprise 9000X

CPR backrest release

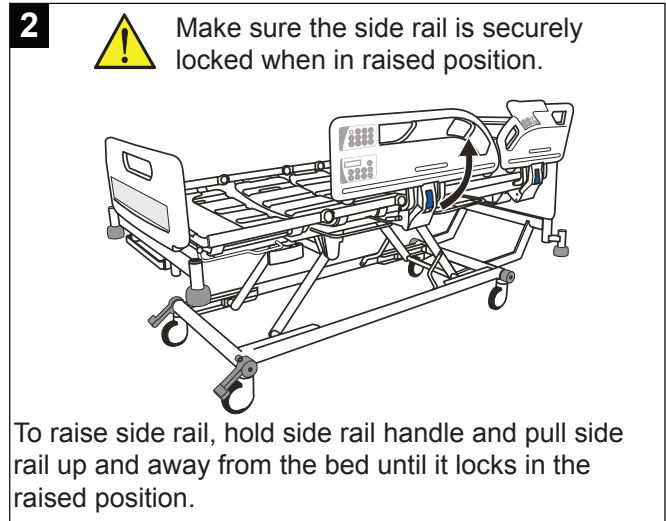
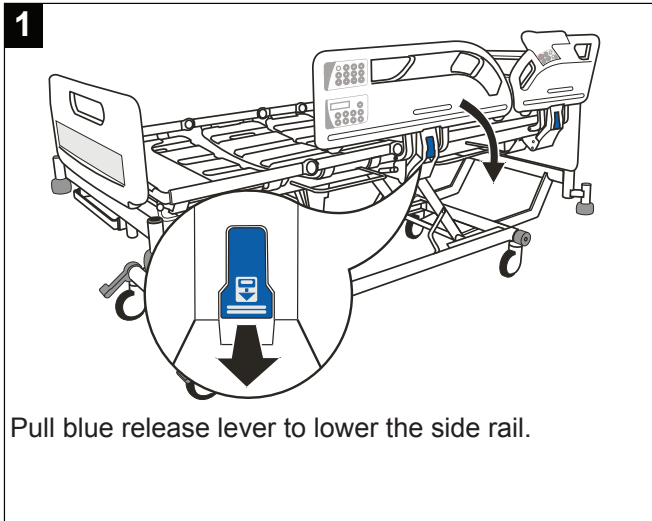


Brakes and steering

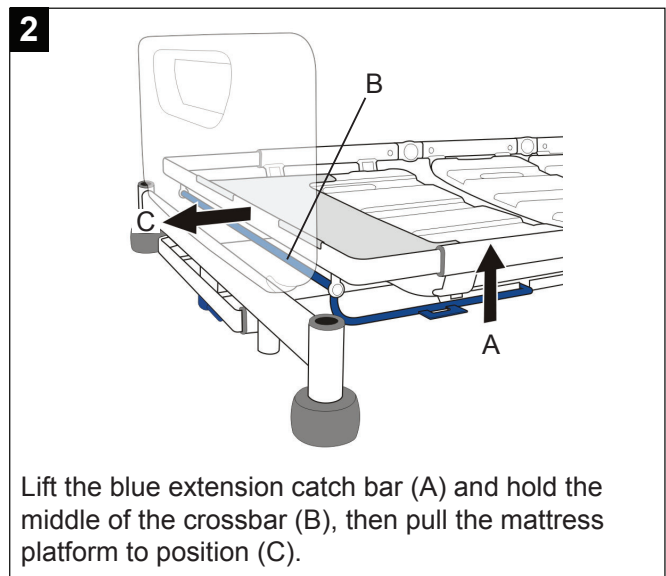
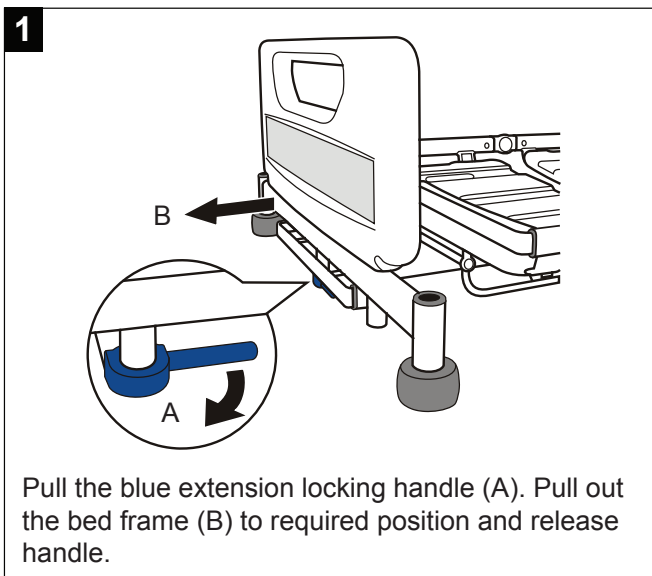


The brakes should be applied at all times when the bed is stationary.

Side rails



Bed length adjustment (three set positions)



Calf section adjustment

