

INSTRUCTIONS FOR USE

Ninjo



The model name and serial number should always be provided when ordering spare parts or during queries per telephone or written correspondence:

Serial number of the machine:

.....

Machine model:

.....

WARNING

To avoid injury, always read this *Instructions for Use* and accompanied documents before using the product.



Mandatory to read the *Instructions for Use*.

Design Policy and Copyright

® and ™ are trademarks belonging to the Arjo group of companies.

© Arjo 2022.

As our policy is one of continuous improvement, we reserve the right to modify designs without prior notice. The content of this publication may not be copied either whole or in part without the consent of Arjo.

Contents

| | |
|--|-----------|
| PREFACE..... | 5 |
| 1 SAFETY PRECAUTIONS..... | 6 |
| 1.1 Important..... | 6 |
| 1.2 Isolator switch..... | 6 |
| 1.3 In an emergency..... | 7 |
| 1.4 Product liability..... | 7 |
| 1.5 Attention symbols..... | 7 |
| 2 PRESENTATION..... | 8 |
| 2.1 Area of application..... | 8 |
| 2.2 Models..... | 8 |
| 2.3 Control panel..... | 9 |
| 2.3.1 Components..... | 9 |
| 2.3.2 Functions..... | 9 |
| 2.4 Display options..... | 9 |
| 2.4.1 Displayed while a program is running..... | 10 |
| 2.4.2 Display after program end..... | 10 |
| 3 OPERATING INSTRUCTIONS..... | 11 |
| 3.1 Program overview..... | 11 |
| 3.2 Run a program..... | 11 |
| 3.2.1 Start a program..... | 11 |
| 3.2.2 During ongoing program..... | 12 |
| 3.2.3 After program completion..... | 12 |
| 3.3 Cooling..... | 12 |
| 3.4 Examples of items and program selection..... | 13 |
| 4 MAINTENANCE..... | 14 |
| 4.1 Flushing chamber..... | 14 |
| 4.2 The outside..... | 14 |
| 4.3 Preventive maintenance..... | 14 |
| 4.3.1 Periodic maintenance..... | 14 |
| 4.3.2 Service table..... | 15 |
| 4.4 Machines that are not in use..... | 17 |
| 5 ALARM..... | 18 |
| 5.1 Alarm indication..... | 18 |
| 5.2 Acknowledgement of error message..... | 18 |
| 5.3 During a power failure..... | 18 |
| 6 TROUBLESHOOTING..... | 19 |
| 6.1 List of codes..... | 19 |
| 6.2 Types of codes..... | 19 |
| 7 DETERGENT..... | 20 |
| 7.1 Using detergent..... | 20 |
| 7.2 Flushing detergent..... | 20 |
| 7.3 Positioning..... | 21 |
| 7.4 Switching..... | 21 |

| | | |
|-----|---|----|
| 8 | WATER QUALITY | 22 |
| 8.1 | Requirements | 22 |
| 8.2 | Main factors | 22 |
| 8.3 | Recommendation..... | 22 |
| 8.4 | Local standard | 22 |
| 8.5 | Local standard, typical specification | 23 |
| 9 | ENVIRONMENTAL PRODUCT DECLARATION | 24 |
| 9.1 | Comments | 24 |
| 9.2 | Distribution..... | 24 |
| 9.3 | Use | 24 |
| 9.4 | Waste disposal | 24 |
| 9.5 | Load pallets | 25 |
| 10 | END OF LIFE DISPOSAL | 26 |

PREFACE

The Instruction for use (IFU) describes the design and operation of the machine and the maintenance for which the user is responsible. The installation manual describes the machine's installation. The technical manual describes necessary information for operators and maintenance personnel. The information in the manual must be complied with to ensure safe and error-free operation.



Read the manual before use.

Users must read through the manual before using the machine for the first time, as well as familiarizing themselves with the operation of the machine and its safety instructions. Operators and maintenance personnel must have completed training through the marketing organization of Arjo.

The information in this manual describes the machine as dispatched from Arjo. There may be differences due to customization for customers or countries.

Available models:

| | |
|--------|--|
| FD1600 | Free standing model with polymer chamber |
| FD1610 | Free standing model with stainless steel chamber |
| FD1615 | Under counter model with stainless steel chamber |

The machine is accompanied by the following documentation:

- Instructions for Use
- Installation manual
- Quick guide

The following documentation shall be provided by the sales company to the end-user on request:

- Technical manual
- Spare parts list

The accompanying Quick guide must be hung up and clearly visible in the installation area.

Arjo reserves the right to change the specification and design without prior notice. The information in this manual was up-to-date on the date that the manual was issued.

1 SAFETY PRECAUTIONS

This machine has been designed with a number of built-in safety devices.

To avoid injury, it is highly important not to bypass these safety devices.

1.1 Important

- The machine is designed for connection to water only (and for steam if applicable).
- Read the manual thoroughly before use.
- The machine should only be handled by authorized personnel. Personnel must also receive regular training.
- If any part is missing or damaged - do NOT use the product.
- Exercise caution when using the machine, as it uses hot water and possibly steam.
- Exercise caution when handling the chemical agent used in the machine. Follow the instructions on the agent:
 - if the agent is swallowed, comes into contact with the eyes or skin or if vapors are inhaled.
 - for instructions on dosage amount and washing temperatures.
 - for instructions regarding storage and sorting/disposal of packing.
- Make sure that the machine has access to detergent before the process starts. This is important both for the operation of the machine and for keeping the washing chamber free from staining.
- The machine must be kept clean if it is to work properly.
- Do not wash down or hose down the machine with water.
- Installation and service work must be performed by trained personnel.
- Never bypass the machine's door switch under any circumstances.
- Always connect the equipment via an RCD (residual current device).
- Always use a grounded power supply for the flusher-disinfector.
- Leakage in the system, for example a worn door seal, must be rectified without delay.
- Spare parts must only be obtained from Arjo's sales companies.
- If a serious incident occurs in relation to this medical device, affecting the user, or the patient then the user or patient should report the serious incident to the medical device manufacturer or the distributor. In the European Union, the user should also report the serious incident to the Competent Authority in the member state where they are located.

1.2 Isolator switch

The machine must always be equipped with a separate isolator switch in the feed power supply. The isolator switch must be easily accessible on a wall close to the machine. The external electrical isolator switch must be marked “I” and “O” to identify the position of the switch.

1.3 In an emergency

- Switch off the main switch.
- Close shutoff valves in the water and any steam supply lines.

1.4 Product liability

CE marking indicating conformity with European Community harmonised legislation.

Any modification or incorrect use of the equipment without the approval of Arjo negates Arjo’s product liability.



CE marking indicating conformity with European Community harmonised legislation
Figures indicate Notified Body supervision.



Indicates the product is a Medical Device according to EU Medical Device Regulation 2017/745

1.5 Attention symbols

There are warnings, instructions, and advice in this manual that require extra attention. The symbols and designs used are:



Risk of injuries or machine damage.



Hot surface. Risk of injury.

2 PRESENTATION

2.1 Area of application

Flusher-disinfector for emptying, cleaning and disinfecting, bedpans, urine bottles and other containers for human waste.

To meet the requirements of EN ISO 15883, the items must be placed in the proper holder, recommended by Arjo.

The customer is responsible for ensuring that an Installation Qualification, Operating Qualification and Performance Qualification according to ISO 15883 are carried out before the product is put into use.

2.2 Models

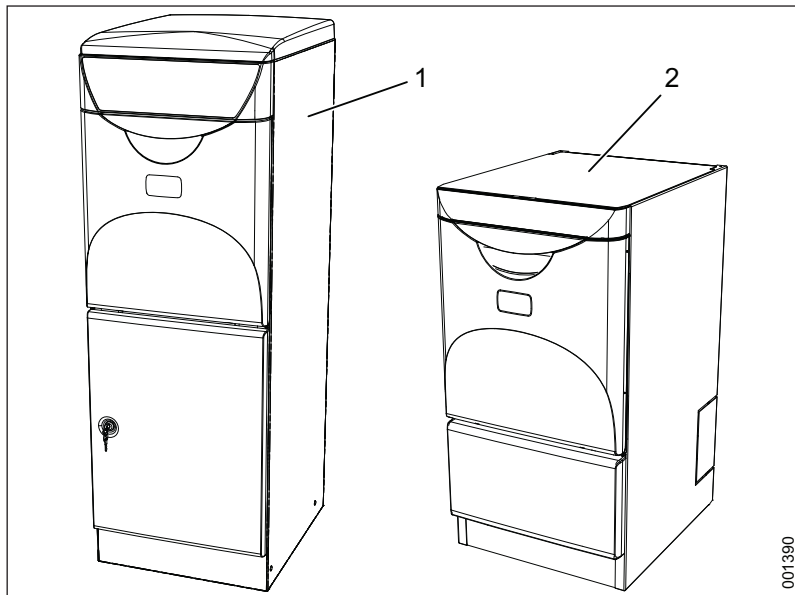


Figure 1. Machine models

1. Free-standing model
2. Under-bench model

2.3 Control panel

2.3.1 Components

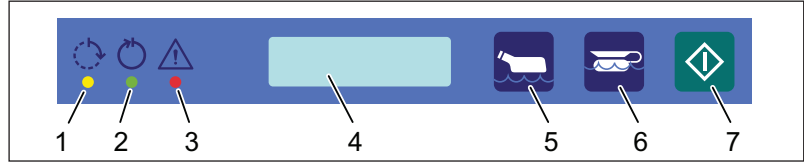


Figure 2. Control panel

- | | |
|----------------------------|-----------------------|
| 1. Yellow: Process running | 5. Economy program |
| 2. Green: Process complete | 6. Normal program |
| 3. Red: Error indication | 7. Starting a program |
| 4. Display | |

2.3.2 Functions

| | Function |
|--|--|
| | Yellow flashing indicator light: The process can be aborted. Yellow indicator light: The machine is running a program. The display shows the current status*, for example the cleaning phase and temperature. |
| | Green indicator light: The program is complete. The green light goes out when the door is opened and for a short time a program summary* is shown in the display, for example maximum temperature. |
| | Red indicator light: Error indication. The display shows an error message. |
| | Button for choosing economy program for lightly soiled goods. |
| | Button for choosing normal program for normally soiled goods. |
| | Button for starting a program. |

* The information displayed depends on the display options.

2.4 Display options

A service technician can set the information to be shown in the display.

2.4.1 Displayed while a program is running

The display can be set to show one of the following alternatives while a program is running:

- Temperature
- A_0 value
- A_0 value / Temperature
- Remaining Time
- Temperature / Remaining time
- A_0 value / Remaining time
- A_0 value / Remaining time / Temperature

If an alternative with more than one parameter is selected, the parameters will be displayed alternately. The A_0 value always remains at 0 until the thermal disinfection begins. When the temperature reaches 85°C, the A_0 value will increase in line with the temperature and time.

2.4.2 Display after program end

The display can be set to show one of the following alternatives once a program has finished:

- Max. temperature
- A_0 value
- A_0 value / Max temperature

If an alternative with more than one parameter is selected, the parameters will be displayed alternately.

3 OPERATING INSTRUCTIONS



WARNING!

To prevent contamination, use personal protective equipment, such as gloves and protective glasses, when handling soiled waste containers and loading the goods into the flusher-disinfector.

3.1 Program overview

The machine's standard programs are described here. There may be other programs for the program buttons. A service technician can change the button functions.

| Program | Economy | Normal |
|---------|--|--|
| Goods | Lightly soiled | Normally soiled |
| Key | | |
| Process | Cleaning Disinfection Ventilation (Option) End of program | Cleaning Disinfection Ventilation (Option) End of program |
| Time* | 6–10 min | 7–11 min |
| Energy | 0.16 kWh | 0.16 kWh |
| Water** | 11 l + - 10% | 18 l + - 10% |

* The process times may vary according to which cooling/ventilation method is used. They may also vary depending on water temperature and pressure.

** Including cooling.







3.2 Run a program

3.2.1 Start a program



WARNING!

If the machine has not been used for more than 72 hours, it is necessary to run a program with an empty chamber before using the machine to clean goods.

1. Open the door.
2. Place the goods to be cleaned in the holder.
3. Close the door.
4. Select program:
 - Normal program: Press , then .
 - Economy program: Press , then .
5. The yellow light at  flashes for six seconds. During this period the program can be cancelled by pressing .

3.2.2 During ongoing program



WARNING!


If the red indicator lights up an error has occurred. The process is cancelled and must be repeated.

3.2.3 After program completion



WARNING!

The goods may be hot at the end of the program. If the temperature of the goods is above 60°C, the display shows U7.

1. When the program is complete:
 - The green light at  lights up.
 - The door unlocks automatically.
 - Cooling/Ventilation of goods may continue after completed program (option) and is thus terminated when the door is opened.
2. Open the door and remove the goods.

3.3 Cooling

A ventilator starts when the disinfection is complete:

- Warm air is sucked out of the chamber.
- New air is introduced via a HEPA filter.

The items to be washed are cooled using the following method:

- Internal cooling: items to be washed are cooled using water from a tank. This type of cooling does not fully meet EN ISO 15883.
- Fan (option): items cooled by cold air from an external fan. The air is introduced via a HEPA filter.

Cooling/Ventilation can continue after completed process (option).
When the green lamp is lit the cooling/ventilation can be terminated by opening the door.

3.4 Examples of items and program selection

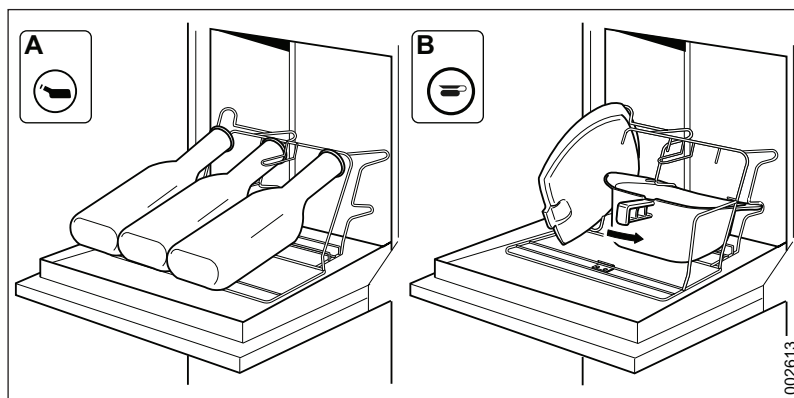


Figure 3. Example of goods for economy program (A) and normal program (B)

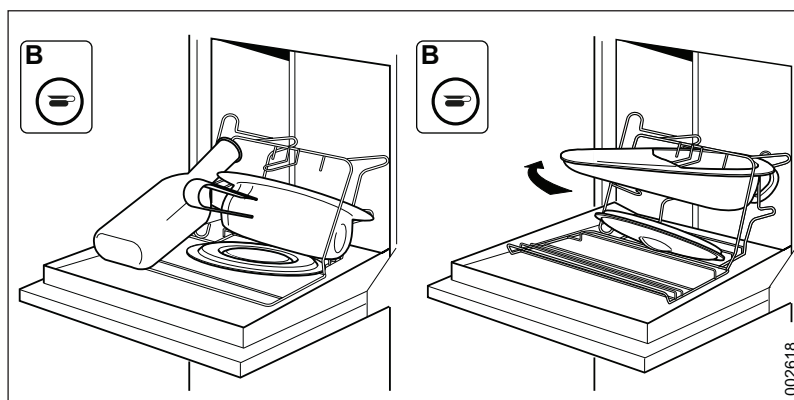


Figure 4. Example of goods for normal program (B)

4 MAINTENANCE

4.1 Flushing chamber

If limescale deposits occur, they must be removed with a proper descaler that is intended for the purpose such as Arjo Clean Neutralizer Plus. See the instructions for the agent before using it.

4.2 The outside



WARNING!
Do not wash the machine down with water.

The outside of the machine can be cleaned and disinfected with an alcohol-based cleaning agent or medicinal alcohol. The area around the display should be cleaned with an alcohol-based cleaner.

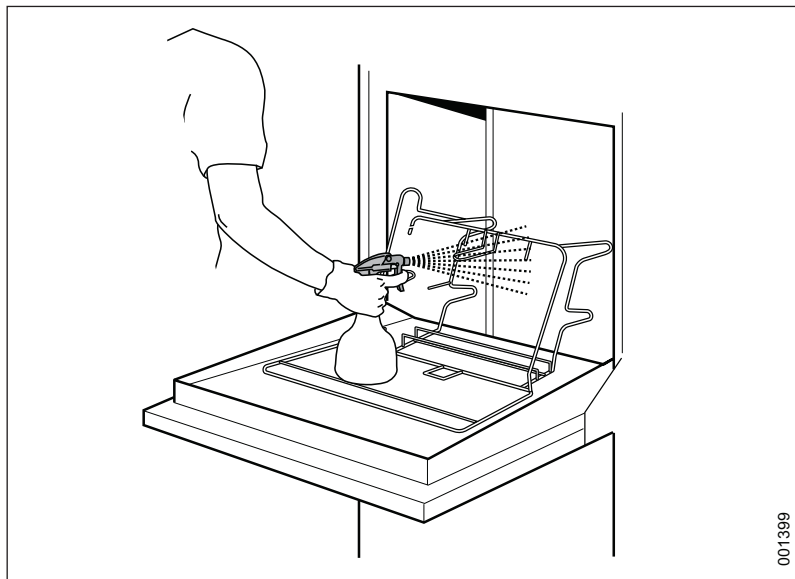


Figure 5. Cleaning the machine

4.3 Preventive maintenance

For safety purposes, never modify equipment or use incompatible parts.

4.3.1 Periodic maintenance

Periodic maintenance and system testing must be performed to ensure safety and the machine's proper operation.

The amount of maintenance required depends largely on the quality of the incoming water and how often the machine is used. The maintenance interval will have to be determined in each individual case. Arjo recommends that the stated maintenance operations be performed at intervals according to the service table.

4.3.2 Service table

Note!

The service table is only shown for information purposes.



WARNING!

Maintenance may only be performed by authorized service technicians.



WARNING!

The machine is connected to the electricity supply and some components are live.

The service table below shows recommended maintenance intervals.

In addition to system testing, we recommend that appropriate cleaning tests and temperature validation are performed according to EN ISO 15883.

| | Measure | Every year/ 7,500 cycles | Every other year/15,000 cycles | Time* (minutes) |
|----------|--|--------------------------|--------------------------------|-----------------|
| 1 | General | | | |
| 1.1 | Check the cabling and connection points. | • | | 10 |
| 1.2 | Check the function of the cooling fan. Clean as required. | • | | 5 |
| 1.3 | Check that the panel label is firmly affixed, is undamaged and legible. | • | | 2 |
| 1.4 | Check that the door lock and breaker are functioning properly. | • | | 5 |
| 1.5 | Check that a goods placement sign and quick help instructions have been put up. | • | | 1 |
| 1.6 | Check error codes and the number of processes. | • | | 2 |
| 2 | The chamber | | | |
| 2.1 | Check that the rotating nozzles are moving freely. Clean as required. | • | | 20 |
| 2.2 | Check that the fixed nozzles are not clogged with grime and deposits. Clean as required. | • | | 20 |
| 2.3 | Check for leakage in the nozzle attachments and the hose connections to the chamber. | • | | - |
| 2.4 | Check for proper operation of the temperature sensor. | • | | 10 |
| 2.5 | Check that the door seal and chamber seal are tight. Clean or replace as necessary. | • | | 10 |
| 2.6 | Check the mounting for the goods holder. | • | | 2 |

| | Measure | Every year/ 7,500 cycles | Every other year/15,000 cycles | Time* (minutes) |
|------------|--|--------------------------|--------------------------------|-----------------|
| 2.7 | Check that the overflow drain connection to the chamber is tight. | | • | - |
| 2.8 | Clean the inside of the flushing chamber. | • | | 10 |
| 2.9 | Check the door and door spring. | | • | 15 |
| 3 | Process tank | | | |
| 3.1 | Clean as required. | • | | - |
| 3.2 | Check and clean the level sensor. | • | | 5 |
| 3.3 | Check that the valves are working and that the connections are not leaking. Clean as required. | • | | 10 |
| 4 | Steam Generators | | | |
| 4.1 | Check the connections to the steam generator for leakage and make sure the surrounding insulation is intact and no hot surfaces are exposed. | • | | 5 |
| 4.2 | Check that the steam generator is working properly. | • | | 10 |
| 5 | Main pump | | | |
| 5.1 | Check that the main pump is firmly attached and that there are no leaks in the connections. | • | | 5 |
| 6 | Dosing system | | | |
| 6.1 | Check the hoses between the dosing pump and the detergent holder. Replace if necessary. | • | | 5-10 |
| 6.2 | Check the dosage amount. Adjust if necessary. | • | | 10-30 |
| 6.3 | Replace hose in the dosing pump. | • | | 5 |
| 6.4 | Check that the empty container alarm works. Clean or replace as necessary. | • | | 5 |
| 6.5 | Check the function of the check valve in the steam generator. | • | | 5 |
| 7 | Drainage connection | | | |
| 7.1 | Check that the drainage connection is firmly attached and that it is not leaking. | • | | 5 |
| 8 | Ventilator (Option) | | | |
| 8.1 | Replace HEPA filter. | • | | 10 |
| 8.2 | Check the fan for proper operation and check that the connections are tight. | • | | 5 |
| 8.3 | Check that the check valves are functioning properly. Clean as required. | • | | 10 |
| 8.4 | Check hoses to the fan. | • | | 5 |
| 10 | Function check (at each service) | | | |
| 10.1 | Run a complete process and be sure there are no deviations according to the periodic checkpoints. | | | |
| 10.2 | Check that the panel's lights and alarms are functioning. | | | |

* The time required is estimated with the top off and may vary depending on the installation settings, operating conditions and equipment level.

4.4 Machines that are not in use

A machine that is not being used should be drained. Contact a service technician.


5 ALARM

5.1 Alarm indication



WARNING!

If the disinfection process is cancelled, the goods are not clean. The goods must be processed again.

If the red lamp at  lights up, the disinfection has been aborted. The display shows an error message, see "Troubleshooting".



5.2 Acknowledgement of error message



WARNING!

Only to be carried out by authorized staff.

Some error messages need to be acknowledged before the machine can be returned to run mode. When the cause of the error has been found and the error has been put right, the error message is acknowledged as follows:

First press the  button, then the  button. Keep both buttons pressed at the same time for 5 seconds. If the error has not been corrected, the error message cannot be acknowledged. The machine is now ready to operate. Re-run the aborted program to disinfect the items. If the error persists, call service personnel.

5.3 During a power failure

If the power fails during a process, the machine remains locked. When the power returns, the machine restarts the process automatically.

6 TROUBLESHOOTING

6.1 List of codes

The tables below describe the error messages that can be generated as well as possible measures.

| Code | Description | Measure |
|------|--|--|
| U1 | Lime descaler low level | Top up descaler agent. |
| U2 | Process agent low level | Top up process agent. |
| U3 | Rinse-aid low level | Top up rinse-aid |
| U7 | Warning of high temperature for goods | Let the goods cool down. |
| U9 | Inactivity warning | The machine has been inactive for 72 hours. A program with an empty chamber must be run before using the machine to clean goods. |
| H6 | Start attempt with door open | Close the door (the machine makes a new start attempt). If the error recurs, contact authorized service personnel. |
| H7 | Cannot lock door | Acknowledge the error as described above. Close the door correctly. Make a fresh start attempt. If the error recurs, contact authorized service personnel. |
| H8 | Cannot unlock door | Acknowledge the error as described on the previous page. If the error recurs, contact authorized service personnel. |
| F1 | Temperature sensor error | Contact authorized service personnel. |
| F4 | Logic error in door, door locked but not closed. | Contact authorized service personnel. |
| F7 | Disinfection temperature not reached. | Contact authorized service personnel. |
| F8 | Door open/unlocked during process | Contact authorized service personnel. |
| F9 | Settings error (E2 error) | Contact authorized service personnel. |
| F10 | Could not fill/empty tank | Contact authorized service personnel. |
| F11 | Leakage | Contact authorized service personnel. |
| F13 | Program error | Contact authorized service personnel. |

6.2 Types of codes

- Ux is an information code.
- Hx is a handling code.
- Fx is an error code.

7 DETERGENT

7.1 Using detergent



WARNING!

Using other detergents, especially acidic ones, may damage the machine (dosing pumps, steam generators and pipes).



WARNING!

Follow the instructions for the container for additional instructions on using the detergent.

The machine has been proven and tested with Arjo's detergents. We recommend that you use Arjo detergents.

- Chemicals recommended in the manual does not mean that the manufacturer of the machine accepts liability for any impact the agent has on goods to be washed.
- Changes in the composition, conditions etc. that were not reported by the manufacturer may affect the result of the cleaning process.
- Always follow the instrument manufacturer's instructions when you use new instruments.
- The dosage amount depends on the water quality. For more information see the process chemicals product specification.

7.2 Flushing detergent

Following detergents can be ordered from Arjo sales companies.

| Agent | Description |
|-------------------------------------|---|
| ■ ARJO LIQUIDS FLUSHER DETERGENT | A mild alkaline detergent to be used for automated cleaning of human waste containers. |
| ■ ARJO LIQUIDS FLUSHER RINSE | A mild alkaline solution to be used for automated rinsing of human waste containers and system piping to prevent hard water scale build up. |

7.3 Positioning

The illustration below shows, for example, where to place the detergent for the free-standing model.

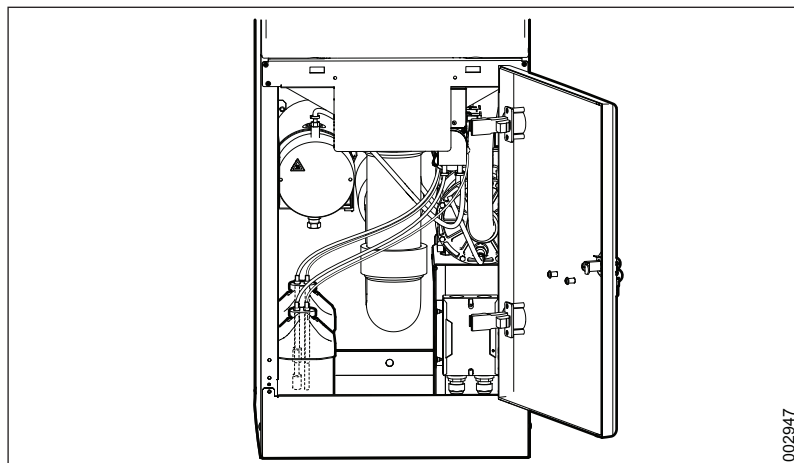


Figure 6. Example of the placement of detergent

7.4 Switching

WARNING!



To avoid eye and skin damage, always use protective glasses and gloves. If contact occurs rinse with plenty of water. If eyes or skin becomes irritated, contact a physician. Always read the material safety data sheet of the detergent.

When replacing with a new container, always check that the detergent is correctly connected. The color of the ring on the low level alarm (A) should be the same as the color on the side of the container (B).

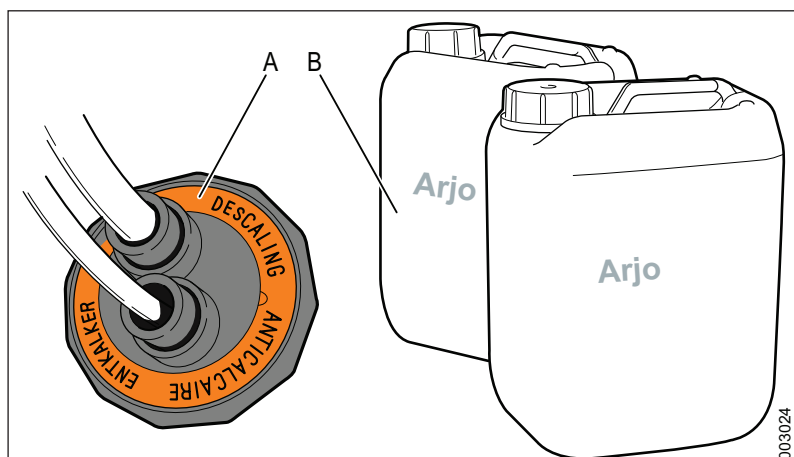


Figure 7. Checking the detergent

8 WATER QUALITY



WARNING!

It is the customer's responsibility to supply the washer-disinfector with water of the right quality.

The quality of the water used in all stages of cleaning is important for good cleaning results.

8.1 Requirements

The water used in each stage must be compatible with:

- The material that the machine is made of.
- The chemicals used in the process.
- Process requirements for the various stages of the process

8.2 Main factors

The main factors for good water quality are:

Hardness: High hardness will cause limescale deposits in the washer-disinfector, leading to poor cleaning results.

Ionic contaminants: A high concentration of ionic contaminants may cause corrosion and pitting on stainless steel. Heavy metals such as iron, manganese or copper cause instruments to tarnish.

Microbial contaminants: Goods to be washed are treated for microorganisms and their residual products, which may cause fever-like symptoms if they get into the human body. Use water that does not increase the biological load.

Sanitary chemicals: High concentrations of, and high exposure to, sanitary chemicals may cause corrosion and pitting on stainless steel.

8.3 Recommendation

- Arjo recommends that water used in the pre-rinsing, washing and final rinsing phases should be of drinking quality in accordance with the guidelines.
- Recommended water quality is drinking water with max 5°dH.
- Detailed information about acceptable water quality can be found in "Guidelines for Drinking Water Quality" published by WHO.

8.4 Local standard

Follow local standards if they are stricter than Arjo's recommendations. Especially when treated water is used for the final washing/disinfection phase.

Additional advice should also be obtained from the manufacturers of chemical and medical equipment.

8.5 Local standard, typical specification

A typical specification for treated water is:

| | |
|---------------------------------|--|
| pH | 5.5 to 8 |
| Conductivity | <30 $\mu\text{s.cm}^{-1}$ |
| TDS | <40 mg/l |
| Maximum hardness | <50 mg/l |
| Chlorine | <10 mg/l |
| Heavy metals | <10 mg/l |
| Phosphates | <0.2 mg/l as P ₂ O ₅ |
| Silicates | <0.2 mg/l as SiO ₂ |
| Endotoxins | <0.25 EU/ml |
| Total number of micro-organisms | <100 per 100 ml |

9 ENVIRONMENTAL PRODUCT DECLARATION

| | Plastic | | Stainless steel | |
|---------------------------------|-----------|-----------|-----------------|-----------|
| | FD1600 | FD1605 UB | FD1610 | FD1615 UB |
| Total weight kg / % by weight | 90 / 100 | 65 / 100 | 100 / 100 | 75 / 100 |
| Mechanical parts | | | | |
| Stainless steel | 41 / 45.5 | 21 / 32.3 | 60 / 60 | 35 / 46.6 |
| Steel | 1 / 1.1 | 1 / 1.5 | 1 / 1 | 1 / 1.3 |
| Cast iron | 13 / 14.4 | 13 / 20 | 13 / 13 | 13 / 17.3 |
| Copper | 1 / 1.1 | 1 / 1.5 | 1 / 1 | 1 / 1.3 |
| Plastic | 25 / 27.7 | 25 / 38.4 | 16 / 16 | 16 / 21.3 |
| Rubber | 3 / 3.3 | 3 / 4.6 | 3 / 3 | 3 / 4 |
| Other mech. parts | 2 / 2.2 | 2 / 3 | 2 / 2 | 2 / 2.6 |
| Electrical / Electronics | | | | |
| Wiring | 1 / 1.1 | 1 / 1.5 | 1 / 1 | 1 / 1.3 |
| Circuit boards | 0.2 / 0.2 | 0.2 / 0.3 | 0.2 / 0.2 | 0.2 / 0.3 |
| Other components | 2.8 / 3.1 | 2.8 / 4.3 | 2.8 / 2.8 | 2.8 / 3.7 |

9.1 Comments

Other components consists of pumps, door motors, etc. which cannot be weighed or divided up in the same way as other parts. There is no mercury in the machine or its components.

9.2 Distribution

The machines are packed on wooden pallets and clad with corrugated cardboard, or wrapped in plastic. Users must make sure that the packaging material is sorted and recycled.

9.3 Use

The flusher-disinfector affects the environment during its entire life cycle. Our assessment is that electric power and water consumption have the greatest impact on the environment. In total during the lifecycle the machines use approx 11000 kWh of electricity and approx 1300 m³ of water. A total of approx 210 liters of detergent are released into the drainage system, dependent on the programs/dosages of the machine.

9.4 Waste disposal

The machines consist mainly of stainless steel, plastics/rubber/glass and other recyclable metals. When the machine is scrapped the materials should be recycled. Wiring and printed circuit boards contain environmentally hazardous substances such as lead, cadmium, PVC and brominated flame retardants, and must be recycled as electronic scrap. Plastics and rubber must be sorted separately.

9.5 Load pallets

The pallet that the machine is delivered on is manufactured and labeled according to ISPM15. This label means that the wood packaging is dried and heat-treated, KD 56°C/30 min.

10 END OF LIFE DISPOSAL

Equipment that has electrical and electronic components should be disassembled and recycled per Waste of Electrical and Electronic Equipment (WEEE) or in accordance with local or national regulation.

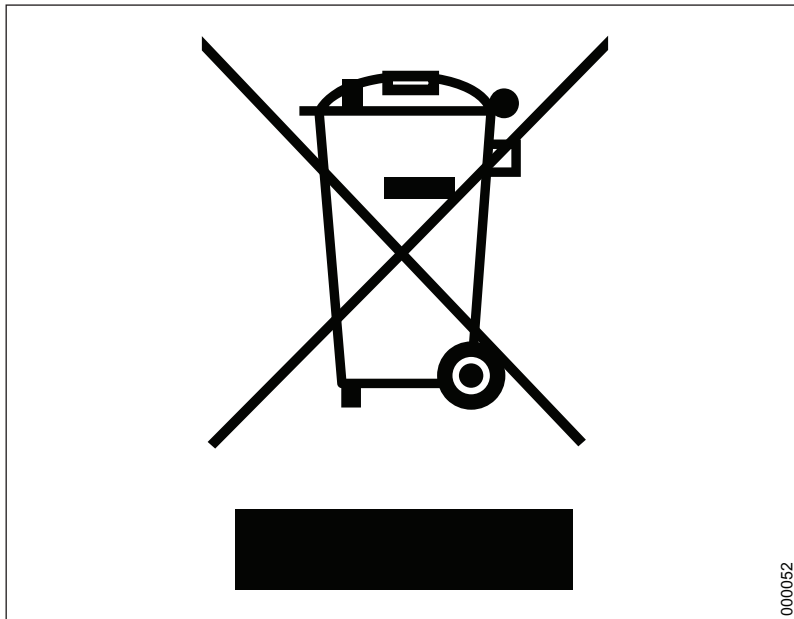
Disinfection liquids – if you have extra liquid, it's safe to pour it down the drain with running water. These products are water soluble and usually mixed with water when used for cleaning, your municipality will treat these cleaners the same way they would if you used them for cleaning.

The packaging containers should be recycled according to the national or local regulations.



WARNING!

The product may be contaminated and has to be disinfected before recycling.



000052

Figure 8. Recycling symbol

AUSTRALIA

Arjo Australia
Building B, Level 3
11 Talavera Road
Macquarie Park, NSW, 2113,
Australia
Phone: 1800 072 040

BELGIQUE / BELGIË

Arjo Belgium
Evenbroekveld 16
9420 Erpe-Mere
Phone: +32 (0) 53 60 73 80
Fax: +32 (0) 53 60 73 81
E-mail: info.belgium@arjo.com

BRASIL

Arjo Brasil Equipamentos Médicos Ltda
Rua Marina Ciufuli Zanfelice, 329 PB02
Galpão - Lapa
São Paulo – SP – Brasil
CEP: 05040-000
Phone: 55-11-3588-5088
E-mail: vendas.latam@arjo.com
E-mail: servicios.latam@arjo.com

CANADA

Arjo Canada Inc.
90 Matheson Boulevard West
Suite 350
CA-MISSISSAUGA, ON, L5R 3R3
Tel/Tél: +1 (905) 238-7880
Free: +1 (800) 665-4831
Fax: +1 (905) 238-7881
E-mail: info.canada@arjo.com

ČESKÁ REPUBLIKA

Arjo Czech Republic s.r.o.
Na Strži 1702/65
140 00 Praha
Czech Republic
Phone No: +420225092307
E-mail: info.cz@arjo.com

DANMARK

Arjo A/S
Vassingerødvej 52
DK-3540 LYNGE
Tel: +45 49 13 84 86
Fax: +45 49 13 84 87
E-mail: dk_kundeservice@arjo.com

DEUTSCHLAND

Arjo GmbH
Peter-Sander-Strasse 10
DE-55252 MAINZ-KASTEL
Tel: +49 (0) 6134 186 0
Fax: +49 (0) 6134 186 160
E-mail: info-de@arjo.com

ESPAÑA

ARJO IBERIA S.L.
Poligono Can Salvatella
c/ Cabanyes 1-7
08210 Barberà del Valles
Barcelona - Spain
Telefono 1: +34 900 921 850
Telefono 2: +34 931 315 999

FRANCE

Arjo SAS
2 Avenue Alcide de Gasperi
CS 70133
FR-59436 RONCQ CEDEX
Tél: +33 (0) 3 20 28 13 13
Fax: +33 (0) 3 20 28 13 14
E-mail: info.france@arjo.com

HONG KONG

Arjo Hong Kong Limited
Room 411-414, 4/F, Manhattan Centre,
8 Kwai Cheong Road, Kwai Chung, N.T.,
HONG KONG
Tel: +852 2960 7600
Fax: +852 2960 1711

ITALIA

Arjo Italia S.p.A.
Via Giacomo Peroni 400-402
IT-00131 ROMA
Tel: +39 (0) 6 87426211
Fax: +39 (0) 6 87426222
E-mail: Italy.promo@arjo.com

MIDDLE EAST

Arjo Middle East FZ-LLC
Office 908, 9th Floor,
HQ Building, North Tower,
Dubai Science Park,
Al Barsha South
P.O. Box 11488, Dubai,
United Arab Emirates
Direct +971 487 48053
Fax +971 487 48072
Email: Info.ME@arjo.com

NEDERLAND

Arjo Nederland BV
Biezenwei 21
4004 MB TIEL
Postbus 6116
4000 HC TIEL
Tel: +31 (0) 344 64 08 00
Fax: +31 (0) 344 64 08 85
E-mail: info.nl@arjo.com

NEW ZEALAND

Arjo Ltd
34 Vestey Drive
Mount Wellington
NZ-AUCKLAND 1060
Tel: +64 (0) 9 573 5344
Free Call: 0800 000 151
Fax: +64 (0) 9 573 5384
E-mail: nz.info@Arjo.com

NORGE

Arjo Norway AS
Olaf Helset's vei 5
N-0694 OSLO
Tel: +47 22 08 00 50
Faks: +47 22 08 00 51
E-mail: no.kundeservice@arjo.com

ÖSTERREICH

Arjo Austria GmbH
Lemböckgasse 49 / Stiege A / 4.OG
A-1230 Wien
Tel: +43 1 8 66 56
Fax: +43 1 866 56 7000

POLSKA

Arjo Polska Sp. z o.o.
ul. Ks Piotra Wawrzyniaka 2
PL-62-052 KOMORNIKI (Poznań)
Tel: +48 61 662 15 50
Fax: +48 61 662 15 90
E-mail: arjo@arjo.com

PORTUGAL

Arjo em Portugal
MAQUET Portugal, Lda.
(Distribudor Exclusivo)
Rua Poeta Bocage n.º 2 - 2G
PT-1600-233 Lisboa
Tel: +351 214 189 815
Fax: +351 214 177 413
E-mail: Portugal@arjo.com

SUISSE / SCHWEIZ

Arjo Switzerland AG
Fabrikstrasse 8
Postfach
CH-4614 HÄGENDORF
Tél/Tel: +41 (0) 61 337 97 77
Fax: +41 (0) 61 311 97 42

SUOMI

Arjo Scandinavia AB
Riihitontuntie 7 C
02200 Espoo
Finland
Puh: +358 9 6824 1260
E-mail: Asiakaspalvelu.finland@arjo.com

SVERIGE

Arjo International HQ
Hans Michelsensgatan 10
SE-211 20 MALMÖ
Tel: +46 (0) 10 494 7760
Fax: +46 (0) 10 494 7761
E-mail: kundservice@arjo.com

UNITED KINGDOM

Arjo UK and Ireland
Houghton Hall Park
Houghton Regis
UK-DUNSTABLE LU5 5XF
Tel: +44 (0) 1582 745 700
Fax: +44 (0) 1582 745 745
E-mail: sales.admin@arjo.com

USA

Arjo Inc.
2349 W Lake Street Suite 250
US-Addison, IL 60101
Tel: +1 (630) 307-2756
Free: +1 (800) 323-1245
Fax: +1 (630) 307 6195
E-mail: us.info@arjo.com

JAPAN

Arjo Japan K.K.
東京都港区虎ノ門三丁目7番8号
ランディック第2虎ノ門ビル9階
Tel: +81 (0)3-6435-6401
Fax: +81 (0)3-6435-6402
E-mail: info.japan@arjo.com

At Arjo, we are committed to improving the everyday lives of people affected by reduced mobility and age-related health challenges. With products and solutions that ensure ergonomic patient handling, personal hygiene, disinfection, diagnostics, and the effective prevention of pressure ulcers and venous thromboembolism, we help professionals across care environments to continually raise the standard of safe and dignified care. Everything we do, we do with people in mind.



ArjoHuntleigh AB
Hans Michelsensgatan 10
211 20 Malmö, Sweden
www.arjo.com

arjo

CE
2797