

Lifeguard LG55

使用说明
Instructions for Use

ARJOHUNTLEIGH
GETINGE GROUP

EN

ZH



Lifeguard LG55

Instructions for Use

ARJOHUNTLEIGH
GETINGE GROUP



WARNING

To avoid injury, always read this Instructions for Use and accompanied documents before using the product.



Mandatory to read the Instructions for Use

Design Policy and Copyright

® and ™ are trademarks belonging to the ArjoHuntleigh group of companies.

© ArjoHuntleigh 2004.

As our policy is one of continuous improvement, we reserve the right to modify designs without prior notice. The content of this publication may not be copied either whole or in part without the consent of ArjoHuntleigh.

Contents

1. Introduction	3
2. Clinical Applications	4
3. Operation	5
4. Accessories	18
5. Decontamination	20
6. Care and Preventive Maintenance	21
7. Warranty and Service.....	23
8. Dimensions and Data.....	24

Warnings and Cautions

WARNINGS given in this manual identify possible hazards in procedures or conditions which, if not correctly followed, could result in death, injury or other serious adverse reactions.

Cautions given in this manual identify conditions or procedures which, if not correctly followed, could result in equipment failure or damage.

Notes given in this manual (indicated by ) are used to explain or amplify a procedure or condition.

General Warnings

WARNING

The age, size and condition of the patient should be assessed by a competent clinically qualified person before using the trolley, giving particular consideration to appropriate use of the safety sides.

Do not use accessories that are not designed or approved for use with the trolley.

Always apply the brakes when the trolley is stationary.

Raise the safety sides before moving the trolley with a patient.

Children and restless or disorientated patients should not be left unattended at any time.

Before turning (rolling) a patient on the trolley or performing a lateral transfer, adjust the mattress platform to a comfortable working height; be aware that the trolley may overbalance if the patient's weight is not evenly distributed across the mattress platform.

1. Introduction

This manual gives instructions for the use and maintenance of the ArjoHuntleigh Lifeguard® patient trolley, Model Number LG55.

These trolleys have X-ray translucent mattress platforms. The products also feature a sliding X-ray cassette tray facility.



Model LG55

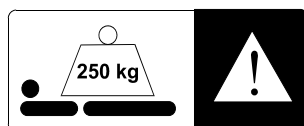
2. Clinical Applications

Area of Use A & E departments, admissions, day surgery and general hospital areas.

Indications The trolleys may be used for general and emergency admissions, examination, diagnostic X-ray and initial treatment.

They are also appropriate for patient transfer between departments, wards and theatre.

Contraindications The maximum safe working load for these trolleys is 250 kg.



3. Operation

Safety

For the safety of operator, patient and equipment:

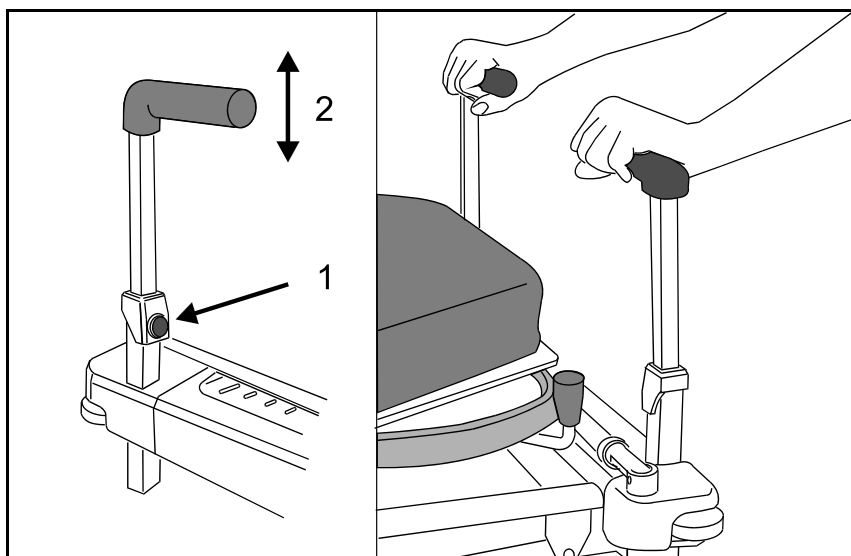
- Always use a mattress of the correct size and type for the trolley.
- Do not expose the equipment, especially the mattress, to naked flames, cigarettes etc.
- Before operating the trolley, make sure that the patient is positioned correctly to avoid entrapment and imbalance.
- When the trolley is operated, check that no obstacles are in its path.
- Keep these instructions handy for reference.

Mattress

The mattress is secured to the platform by means of hook and loop tapes on the mattress underside and the laminate top.

Push Bar Handles

To adjust the height of the handles, press the spring-loaded release button (1) and raise or lower the handle as required (2). Let go of the button to lock the handle in the high or low position.



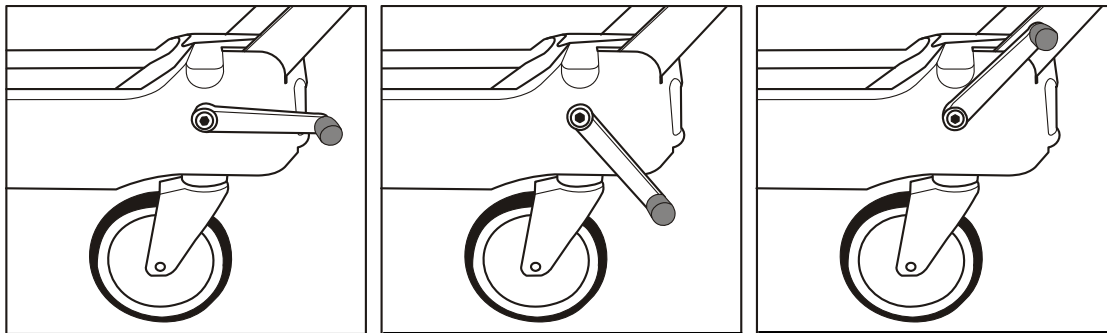
Push Bar Handles

Brakes and Steering

There is a pair of linked brake pedals at each end of the trolley. Push the pedals down to apply brakes on all castors.

When the pedals are horizontal, the castors are free to rotate and swivel.

A steering castor is engaged when an optional 5th wheel is fitted and the pedals are fully raised. In this situation the trolley will keep on a straight course in any direction and can be steered by pivoting about the 5th wheel. When the 5th wheel is not fitted the steering castor is at the foot-end and the trolley should be pushed from the head-end.



FREE

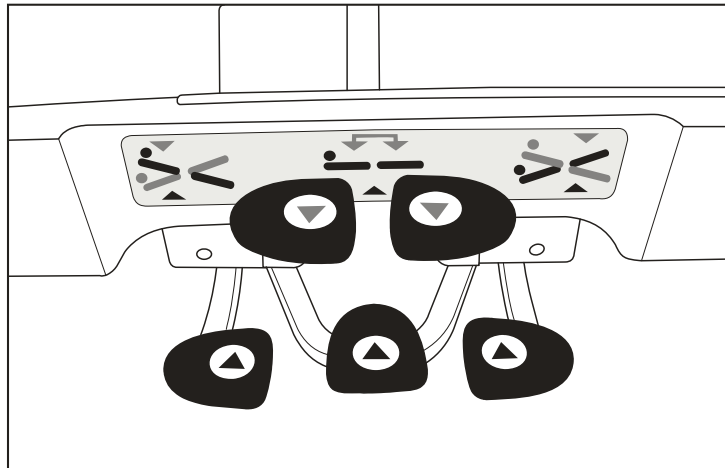
BRAKE

STEER

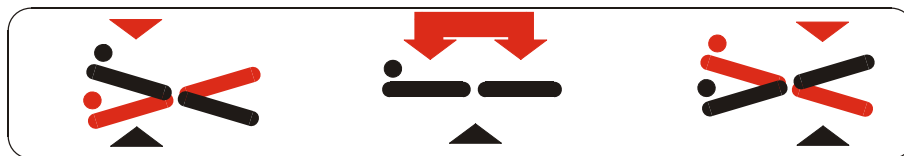
Brake and Steering Control

Height and Tilt Adjustment

The height and the tilt angle of the mattress platform are adjusted using a group of five foot pedals on either side of the trolley. The three pedals marked ▲ on the bottom row are used to raise the platform. The two pedals marked ▼ on the top row are used to lower the platform.



Height/Tilt Pedal Arrangement



Tilt Adjustment

To raise one end of the platform: Operate the ‘raise’ pedal (▲) nearest that end of the trolley with a pumping action.

To lower one end of the platform: Press down on the ‘lower’ pedal (▼) nearest that end of the trolley and keep it pressed.



There is an additional ‘lower’ pedal (▼) that enables head down tilt to be applied from the head-end of the trolley.

Height Variation

To raise the platform: Operate the central ‘raise’ pedal (▲) with a pumping action.

To lower the platform: Press down both ‘lower’ pedals (▼) and keep them pressed.

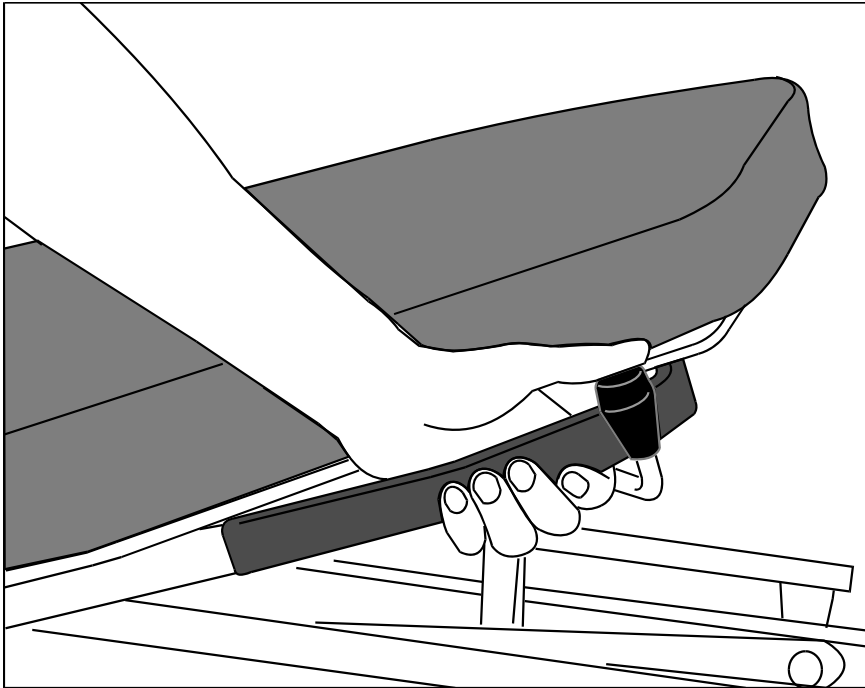
If the platform is raised or lowered when tilted, the tilt angle will be maintained until the leading end reaches the limit of travel, when the platform will return to the horizontal condition.

Backrest



The amount of effort needed to raise or lower the backrest will vary depending on patient weight and mobility. With a very heavy patient, the backrest may fall quickly if it is not supported when released.

To adjust the backrest: Grasp the handle firmly, press the release knob and lift the backrest assisted by the gas spring or push it down against the action of the gas spring. Let go of the release knob to lock the backrest at any angle.

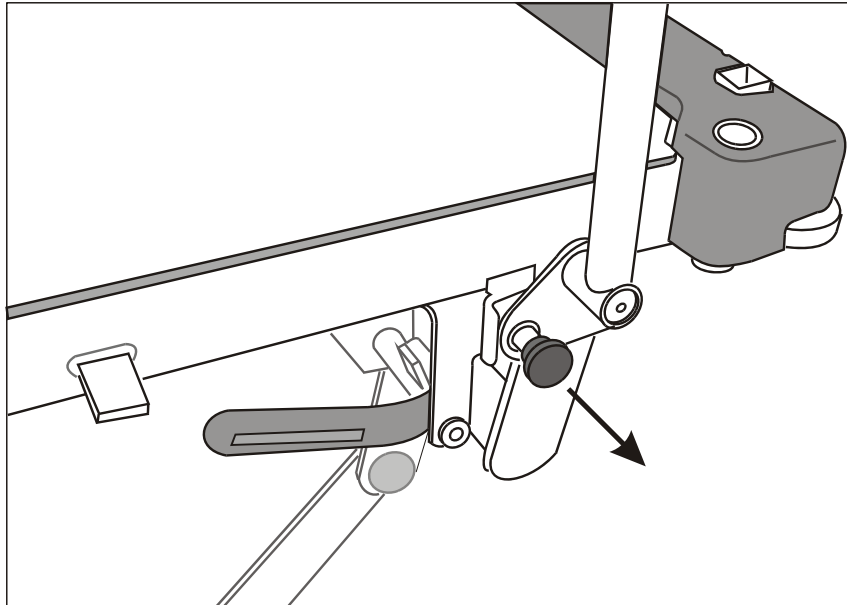


Backrest Adjustment

Safety Sides

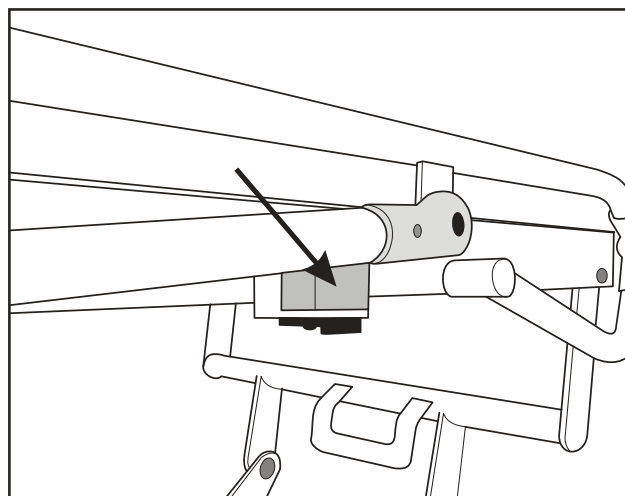
To raise the safety side: Hold the top rail and lift until it locks into position at maximum height.

To lower the safety side: Hold the top rail with one hand, pull the release button at the trolley foot-end and lower the rail towards the head-end.

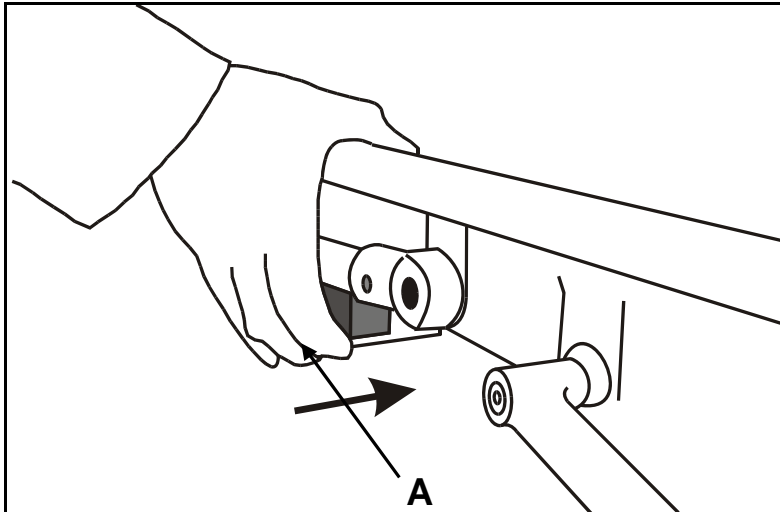


Safety Side Release Button

In order to accommodate “C” Arm X-ray vision when taking side-shot X-ray pictures, each safety side can be lowered even further than its initial resting position. When the safety side is folded down it rests on two stops that are located at each end of the mattress platform side-frame.



Safety Side Stop Positions



Safety Side Stop Operation

WARNING

When the safety side is in the folded position, the upright bars rest on the two stops. Care should be taken to keep hands and fingers away from these areas.

Operation

Lower the safety side until the upright bars rest on two white plastic stops.

At the head-end of the trolley, position the thumb over the top rail of the safety side and use fingers to push the sliding catch (A), which is located beneath each side-rail white plastic stop, in towards the trolley frame as illustrated (avoid squeezing the rail and catch together).

Caution

Only use the sliding catch A to retract the safety side stop.

Caution

Do not use the safety sides to move the trolley. Only use the push bar handles to operate the trolley.

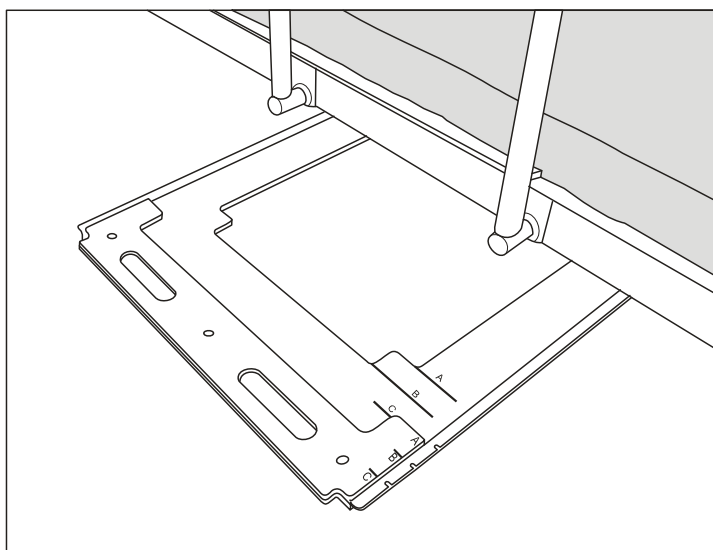
With the catch fully pushed in, ease the top rail down to the second position.

At the foot-end of the trolley use two hands, one to hold the top rail and the other to push the sliding catch (A). Again, once the catch is fully pushed in, ease the top of the rail down to its second position.

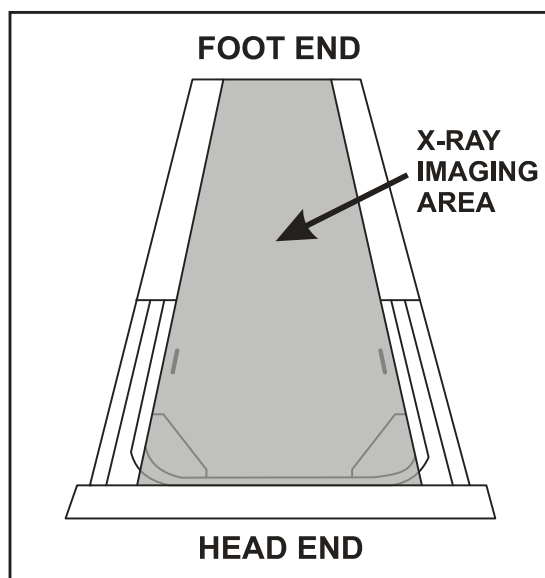
To reinstate the safety side to normal position: Lift the top rail of the safety side at a point approximately halfway along the trolley. The stops will automatically spring back to their original position.

X-Ray Photography

The mattress platform is X-ray translucent. The X-ray cassette drawer below the mattress platform can be positioned anywhere along the length of the platform for full patient coverage.

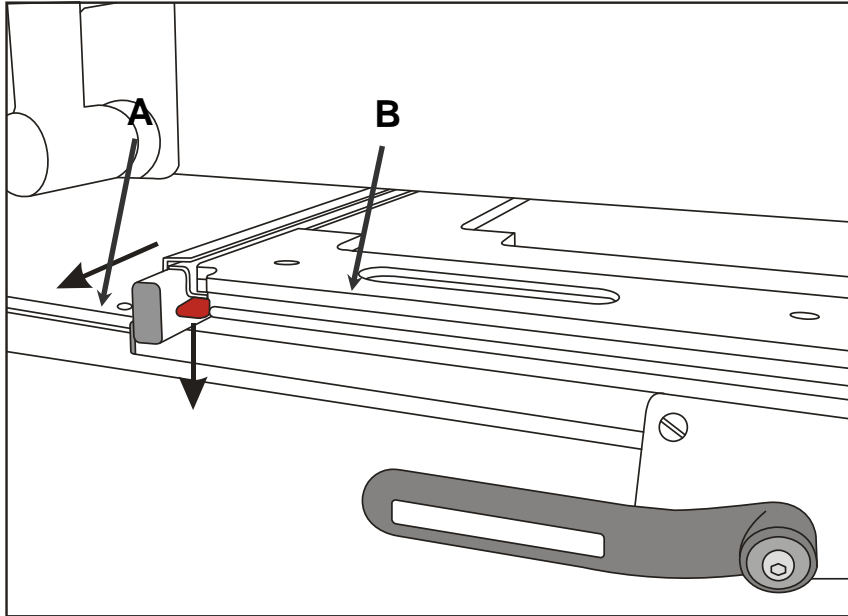


**X-Ray Cassette Drawer Shown Accessed from Patient's
Left-Hand Side**



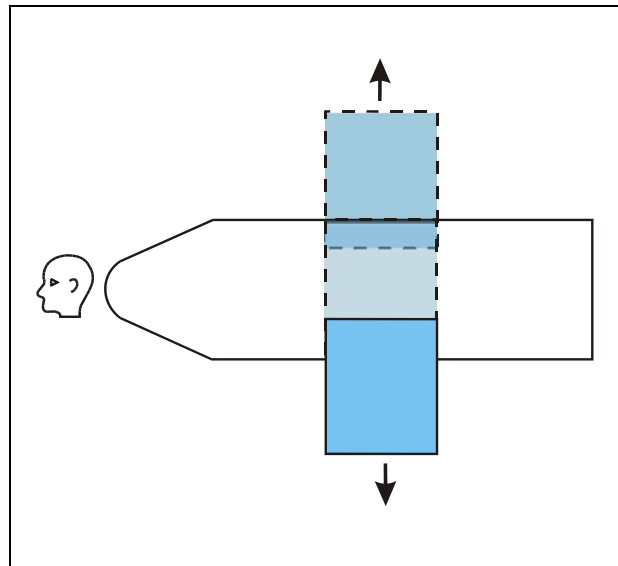
Mattress Platform Showing Imaging Area

To load or unload X-ray cassettes: press the red latch (A) down and use the slot (B) to pull the cassette drawer out until it reaches its stop position.



Cassette Drawer Latch

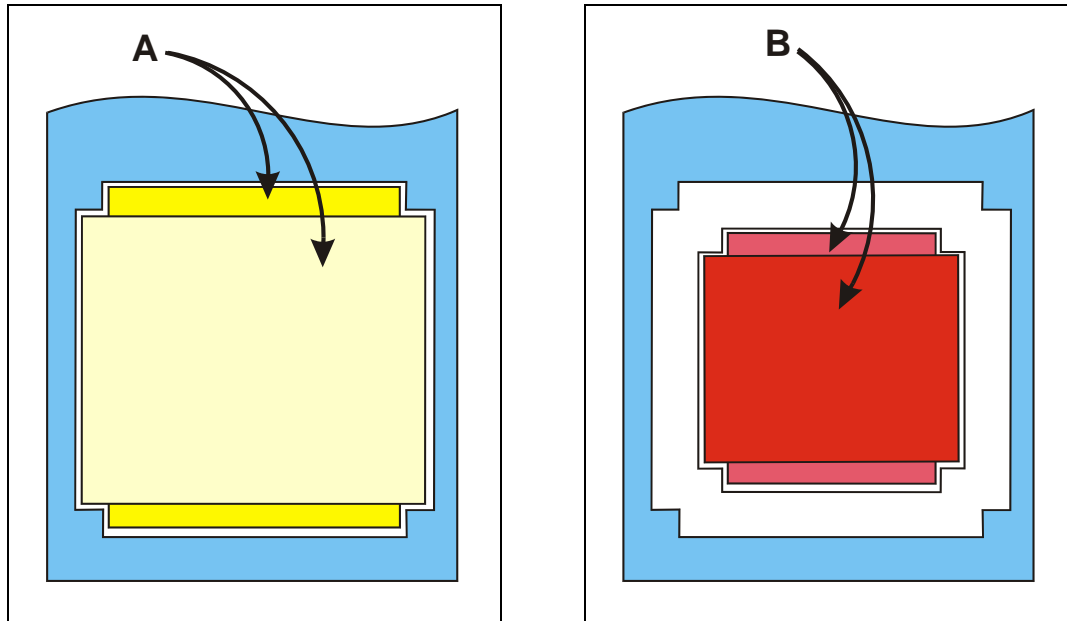
The X-ray cassette drawer can be accessed from either side of the mattress platform.



Cassette Drawer Access

The drawer has recesses to suit two sizes of X-ray cassette, **A** (390mm x 466mm) and **B** (273mm x 334mm).

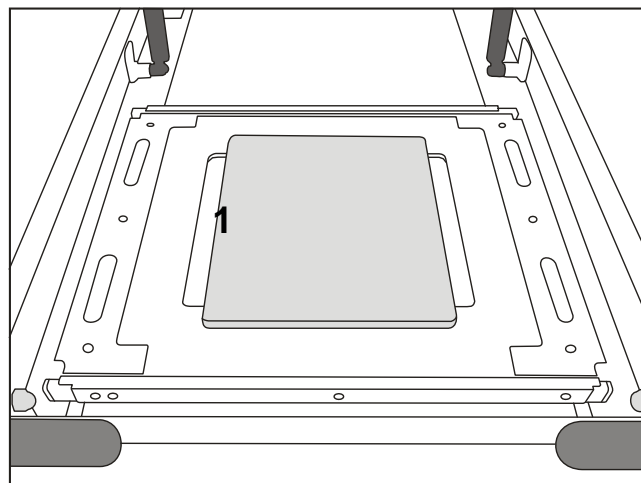
For each size of X-ray cassette there are two possible positions, at 90° to each other.



X-Ray Cassette Positioning Options

Place the X-ray cassette flat in the appropriate recess. Push the drawer back under the mattress platform until it latches into place.

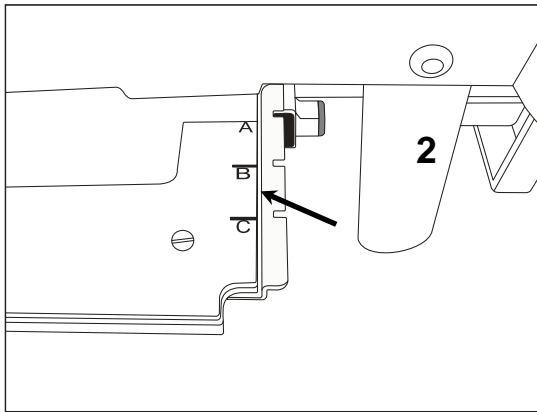
When the cassette drawer is pushed all the way in to its latched position, it is centrally located within the imaging area, as shown below (1).



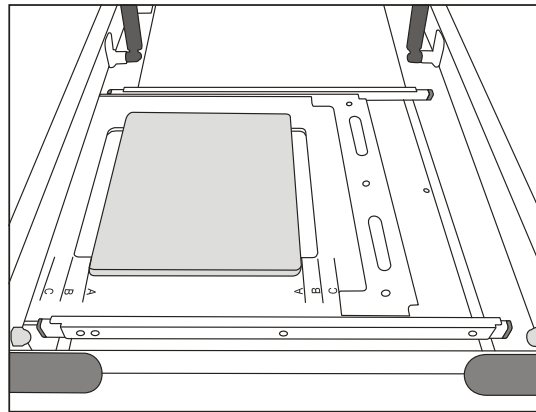
X-Ray Cassette Drawer in Central Position (Backrest Raised)

To offset the cassette drawer from the central position:

Pull out the drawer and line up one of the markers (A, B or C) with the black indicator bar (2). The markers correspond with the letters next to the X-ray cassette; e.g. when marker A is lined up with the indicator bar, edge A of the X-ray cassette is on the boundary of the imaging area.



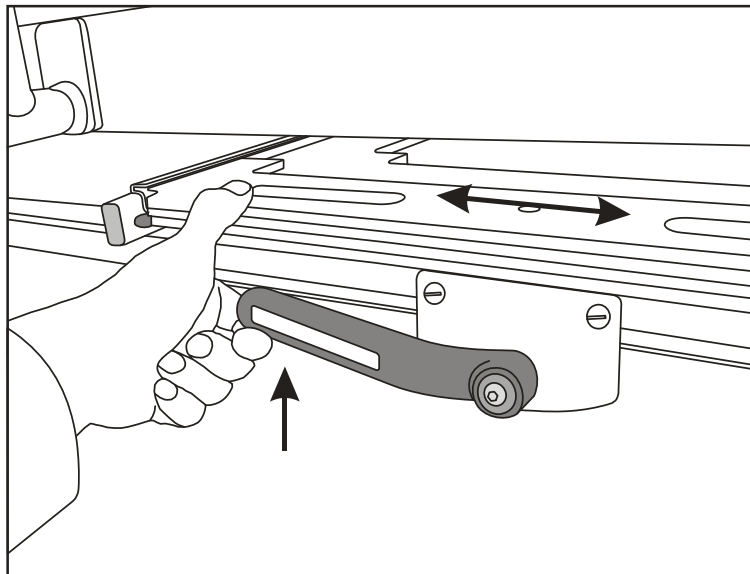
Cassette Drawer Markers on Patient's Left-Hand Side



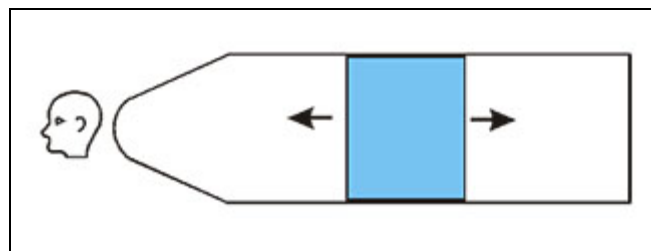
Cassette Drawer in Offset Position A (Backrest Raised)



To adjust the position of the X-ray cassette drawer along the length of the mattress platform: lift the lever and slide the drawer to the desired position. Release the lever to hold the drawer in place.



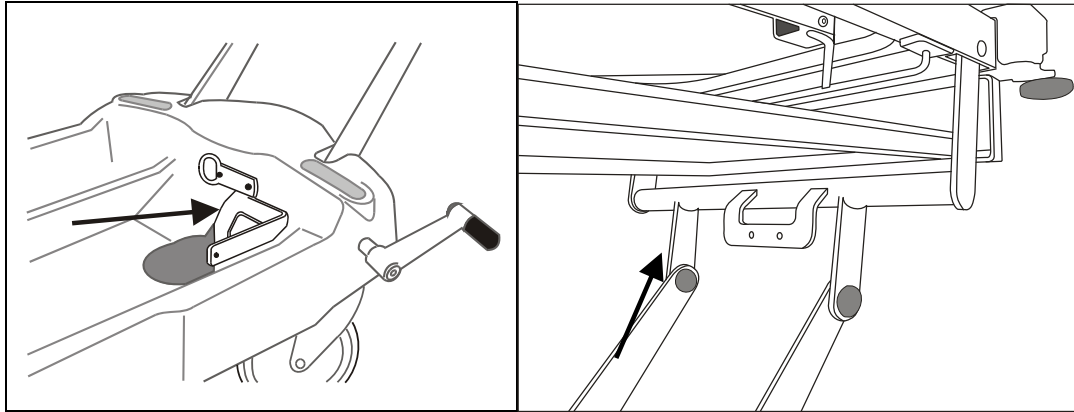
X-Ray Cassette Drawer Lever



Cassette Drawer Movement

Oxygen Therapy Equipment

A recess in the base of the trolley will accommodate a size D, E or F oxygen cylinder. Rubber pads cushion the cylinder to prevent unwanted movement. In addition, facilities are provided for the installation and use of oxygen therapy systems. A short rail (Medirail) is provided at the head-end of the trolley to accommodate the flowmeter and injection suction unit. A universal mounting bracket is installed in the base of the trolley to accept the suction receiver jar.



Mounting Bracket in Base of Trolley and Medirail at Head-End

WARNING

Ensure that the oxygen line does not become entangled or trapped which could cause damage to the line or loss of supply.

Ensure that when the trolley is operated it does not collide with the installed equipment, especially at low height.

If the mounting bracket is not already fitted, remove the plastic cover from the hole in the base cover moulding and attach the bracket with two 6mm Button Head screws and nuts using the pre-drilled holes in the base frame.

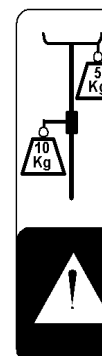
IV Drip Rod MB-ACC32

Install the pole in one of the four tubular sockets at the corners of the platform (1).

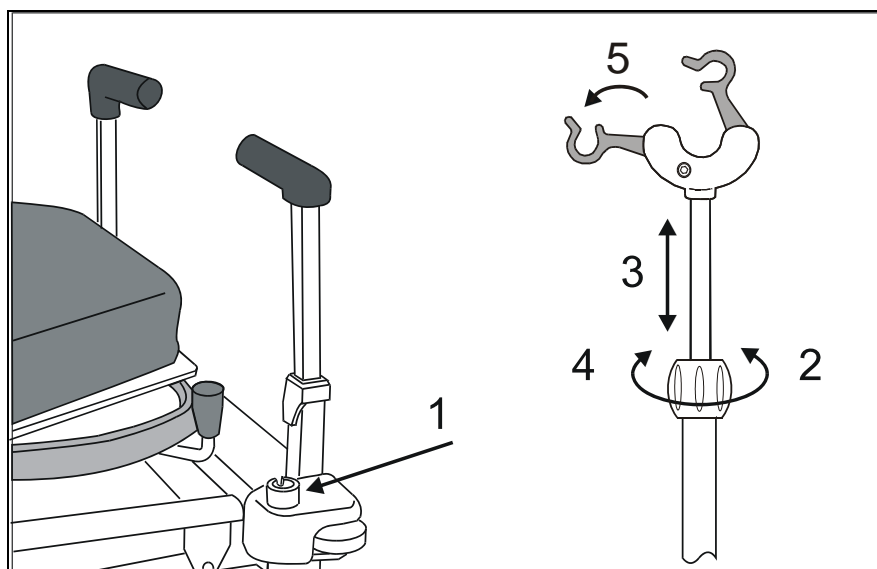
WARNING

The maximum total load on the hooks must not exceed 5 kg

The maximum load attached to the lower tube must not exceed 10 kg



To adjust the height: Hold the telescoping rod firmly, loosen the locking collar (2), lift or lower the hooks as required (3) and re-tighten the locking collar firmly (4).
Fold out the hooks (5).



IV Drip Rod Location and Operation



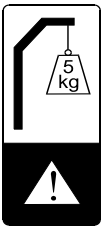
Be careful not to lift the pole out of the socket when raising the hooks.

Storage: Adjust the pole to minimum length and tighten the locking collar before storing it in the clips on the base of the trolley.

**Integral IV Pole
799.501**

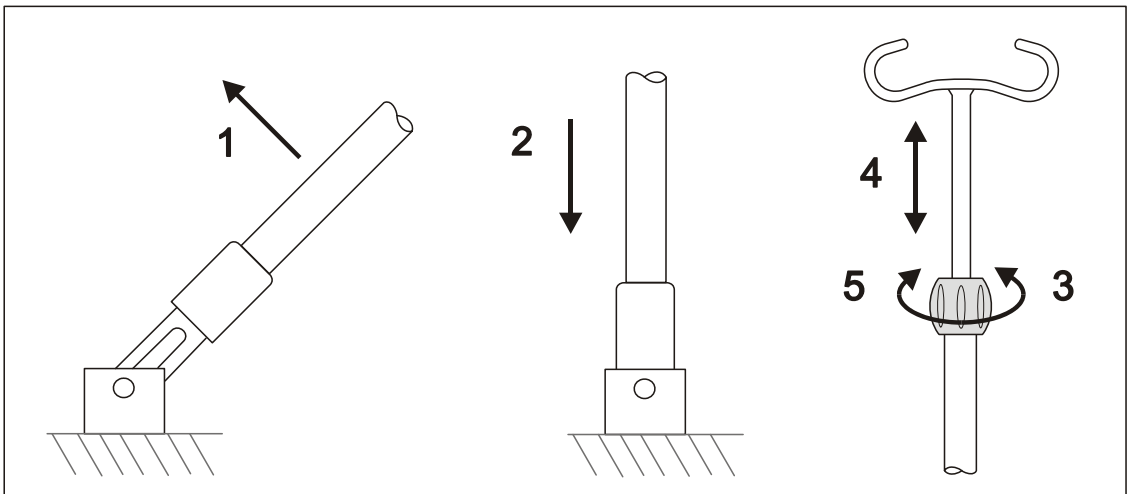
The built-in IV pole is located at the head end of the trolley.

WARNING
Do not exceed the maximum safe load of 5 kg.



Lift the pole to the vertical position (1) and allow it to drop into the tubular socket on the platform (2).

To adjust the height: Hold the telescoping rod firmly, loosen the locking collar (3), lift or lower the hook as required (4) and re-tighten the locking collar firmly (5).



Integral IV Drip Rod Operation

Storage: Adjust the pole to minimum length and tighten the locking collar, then lift the pole out of the socket and fold it down.

4. Accessories

A range of accessories, including mattresses, is available from ArjoHuntleigh. Details are available on request.

Accessories currently available for the *Lifeguard* LG55 are shown in the table below.

ACCESSORY NAME	PRODUCT CODE
Loose drip rod	157003
Foot end panel & bow	157009
Foot panel with monitor table	157018
Clip-on table	157021
Arm rest	157006PE02
Safety side pads (grey)	99901PE16
DIN rail kit (head end)	LG/ACC03
Oxygen bottle holder (PD size)	LG/ACC04
DIN rail kit (foot end)	LG/ACC05
Mattress with two-way stretch cover	LGMAT/10
Two part transfer mattress	LGMAT/13
Two part transfer mattress “Pennyla”	LGMAT/13PN
Bi-Flex pressure reducing mattress	TRM2
Bi-Flex pressure redistribution mattress	TRM3

Some accessories may not be available in all markets. ArjoHuntleigh reserves the right to alter specifications and availability without notification.

The following information relates to accessories supplied with the trolley. Other accessories are supplied with instructions for use.

LGMAT/10

The LGMAT/10 is a one piece mattress with two-way stretch anti-static PU cover, used to provide the patient with adequate comfort during transport and to facilitate cleaning and disinfection.

LGMAT/13

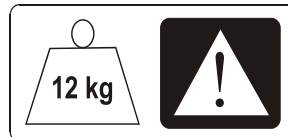
The LGMAT/13 transfer mattress is designed to allow patients to be moved easily and with minimal discomfort from a *Lifeguard* trolley to an adjacent surface.

Foot Panel and Monitor Table Model 157018

Install the foot panel in the square sockets at the end of the mattress platform, with the clipboard on the outside.

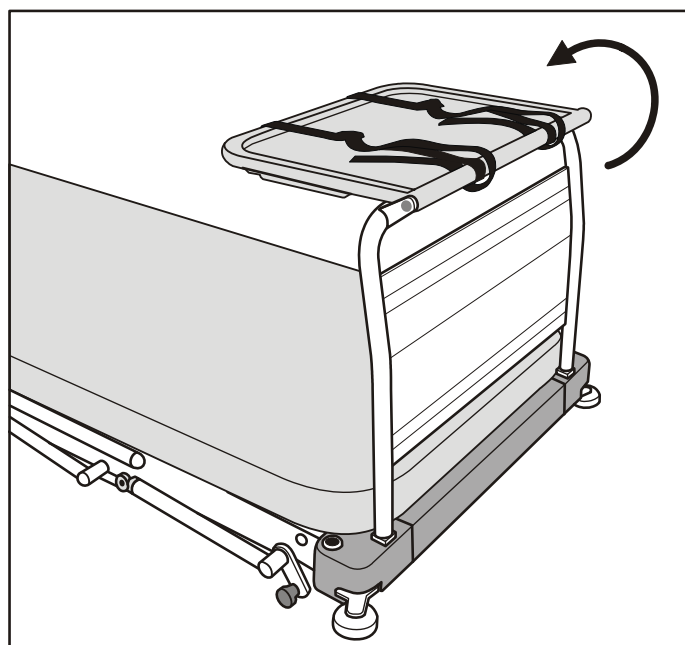
WARNING

Maximum safe working load 12 kg evenly distributed.



To use the monitor table, rotate the clipboard to the horizontal position. Use the straps to secure the monitor to the table.

To remove the foot panel, lift it out of the sockets.



Monitor Table Installed

5. Decontamination

The following processes are recommended, but should be adapted to comply with the local or national guidelines (Decontamination of Medical Devices) which may apply within the Healthcare Facility or the country of use. If you are uncertain, you should seek advice from your local Infection Control Specialist.

The *Lifeguard* system should be routinely decontaminated between patients and at regular intervals while in use; as is good practice for all reusable medical devices.

WARNING

Protective clothing should always be worn when carrying out decontamination procedures.

Caution

Do not use Phenol-based solutions or abrasive compounds or pads during the decontamination process as these will damage the surface coating. Do not boil or autoclave the cover.

To Clean Clean all exposed surfaces and remove any organic debris by wiping with a cloth moistened with a simple (neutral) detergent and water. Dry thoroughly.

Chemical Disinfection To protect the integrity of the cover we recommend a chlorine-releasing agent, such as sodium hypochlorite, at a strength of 1,000ppm available chlorine (this may vary from 250ppm to 10,000ppm depending on local policy and contamination status).

Wipe all cleaned surfaces with the solution, rinse and dry thoroughly.

Alcohol based disinfectants (maximum strength 70%) may be used as an alternative.

Ensure the product is dry before storage.

If an alternative disinfectant is selected from the wide variety available we recommend that suitability for use is confirmed with the chemical supplier prior to use.

To clean the mattress: wipe all surfaces with a disposable cloth soaked in a neutral detergent and hand hot water. Rinse with clean water and dry with disposable paper towels.

To disinfect the mattress: wipe all surfaces with a solution of sodium dichloroisocyanurate (NaDCC) at a concentration of 1,000ppm (0.1%) available chlorine.

6. Care and Preventive Maintenance

This product is subject to wear and tear during use. To ensure that it continues to perform within its original specification, preventive maintenance procedures should be carried out at the intervals shown.

WARNING

This list indicates the minimum level of preventive maintenance recommended by the manufacturer. More frequent inspections should be carried out when the product is subjected to heavy use or aggressive environments, or where required by local regulations.

Failure to carry out these checks, or continuing to use the product if a fault is found, may compromise the safety of both the patient and carer/user. Preventive maintenance can help to prevent accidents.

<i>Actions to be done by carer/user</i>	<i>Daily</i>	<i>Weekly</i>	<i>Yearly</i>
Clean and disinfect as shown in Chapter 5	✓		
Check operation of safety sides		✓	
Visually check castors		✓	
Inspect the mattress as described on the next page	✓		
Check safety side pads (if fitted)		✓	

If the result of any of these tests is unsatisfactory, contact ArjoHuntleigh or an approved service agent.

WARNING

The procedures below must be carried out by suitably trained and qualified personnel. Failure to do so may result in injury or an unsafe product.

<i>Actions to be done by qualified personnel</i>	<i>Daily</i>	<i>Weekly</i>	<i>Yearly</i>
Check the operation of the lifting mechanism as described below			✓
Check the operation of the backrest raise and lower			✓
Check operation of castors, paying special attention to braking and steering functions			✓
Check the hydraulic pump for leaks.			✓
Check all nuts, bolts and other fasteners are present and correctly tightened			✓
Check all accessories, paying particular attention to fasteners and moving parts			✓

Mattress

Check the cover, especially around the seams, for cuts or splits that may allow fluid ingress. Replace the cover if necessary.

Unzip the cover and inspect the mattress core for signs of fluid ingress, e.g. staining or dampness. Replace the complete mattress if necessary.

Lifting Mechanism

Check the operation. A steady firm resistance should be felt over the full stroke of the ‘raise’ pedals. If the pedal pressure is variable or yielding, this may indicate the presence of air in the system and can be remedied as follows:

1. Raise the platform to full height. Continue pumping for four or five pedal strokes then lower the platform fully.
2. Repeat this action two or three times.
3. If firm and steady pedal operation is not restored, contact ArjoHuntleigh or an approved service agent.

X-ray Cassette Holder

Check the cassette holder operation. It should slide easily up and down the length of the trolley. It should also move freely in and out on both sides of the deck. If not, contact ArjoHuntleigh or an approved service agent.

7. Warranty and Service

ArjoHuntleigh standard terms and conditions apply to all sales.

A copy is available on request. These contain full details of warranty terms and do not limit the statutory rights of the consumer.

For service, maintenance and any questions regarding this product, please contact your local ArjoHuntleigh office or authorised distributor. A list of ArjoHuntleigh offices can be found at the back of this manual.

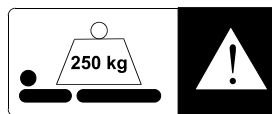
Product Lifetime

The lifetime of this product is typically ten (10) years. “Lifetime” is defined as the period during which the product will maintain the specified performance and safety, provided it has been maintained and operated in conditions of normal use in accordance with the requirements in these instructions.

8. Dimensions and Data

A & E Trolleys, models LG55 and NLG55

Overall length	211 cm
Overall width	77 cm
Height of mattress platform	93 cm (max.) 56 cm (min.)
Tilt (Max) head down	12°
Tilt (Max) foot down	12°
Backrest adjustment	0 to 87°
Castors (diameter)	20 cm
Product Weight (approximate)	177 kg
Safe working load	250 kg



Mattress size	195 x 67 x 6.5 cm
	195 x 67 x 7.5 cm
	195 x 67 x 13 cm

STORAGE

Handle with care. Do not drop. Avoid shock or violent impact.

This equipment should be stored in a clean, dry and well-ventilated area which meets the following conditions:

Temperature	-10°C to +50°C
Relative Humidity	20% to 90% at 30°C, non-condensing
Atmospheric Pressure	700hPa to 1060hPa

Lectrolite® is a registered trademark of Herculite Products Inc. .

Lifeguard LG55

使用说明书

ARJOHUNTLEIGH
GETINGE GROUP



警告

为避免受到伤害，在使用产品前，必须阅读本使用说明书以及产品随附的文档。



必须阅读使用说明书

设计原则和版权

® 和 ™ 是属于 ArjoHuntleigh 集团公司的商标。

© ArjoHuntleigh 2016。

我们的宗旨是保持持续改进，因此我们保留更改设计的权利，恕不另行通知。
未经 ArjoHuntleigh 同意，不得全部或部分复制本出版物中的内容。


目录

1. 前言	3
2. 临床应用	4
3. 操作	5
4. 配件	18
5. 清洁消毒	20
6. 保养和防护性维护	21
7. 保修和服务	23
8. 尺寸与数据	24

警告与注意事项

本手册中的**警告**指出操作过程或某些条件下可能出现的危险，如不正确遵守操作规程可能会造成死亡、人身伤害或其他严重不良反应。

本手册中的**注意事项**指出某些条件下或操作过程或可能出现的危险，如不正确遵守操作规程可能会造成设备故障或损坏。

本手册中的**说明**（由表示）用于解释或强调操作过程或条件。

常规警告

警告

在使用转运车之前，应当由具备临床资格的人员对患者的年龄、体型和状况进行评估，尤其应注意安全护栏的正确使用。

切勿使用不适用于或者未经许可用于本转运车的附件。

当转运车处于静止状态时，切记始终使用制动装置。

在移动载有患者的转运车之前，将安全护栏升高。

必须由专人时刻看护儿童、好动或意识不清的患者。

在将患者翻转（侧翻）到转运车或者进行横向转移之前，将床垫平台调节至舒适的作业高度；注意，如果患者的体重在床垫平台上分布不均匀，则转运车有可能失去平衡。

1. 前言

本手册提供有关使用和维护 ArjoHuntleigh Lifeguard® LG55 型患者转运车的说明。
该转运车配有 X 射线可透过的床垫平台。此外，该产品还特别配有 X 射线暗匣托盘装置。



型号 LG55

2. 临床应用

使用范围

急症室、住院部、当日手术与常规医院用途。

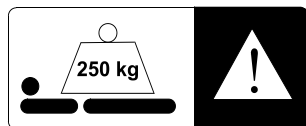
适应症

转运车可用于一般和急诊治疗、检查、X 射线诊断和初步治疗。

此外，还可用于科室、病房与手术室之间转运患者。

禁忌症

此转运车的最大安全承重是 250 kg。



3. 操作

安全

为确保操作人员、患者和设备的安全：

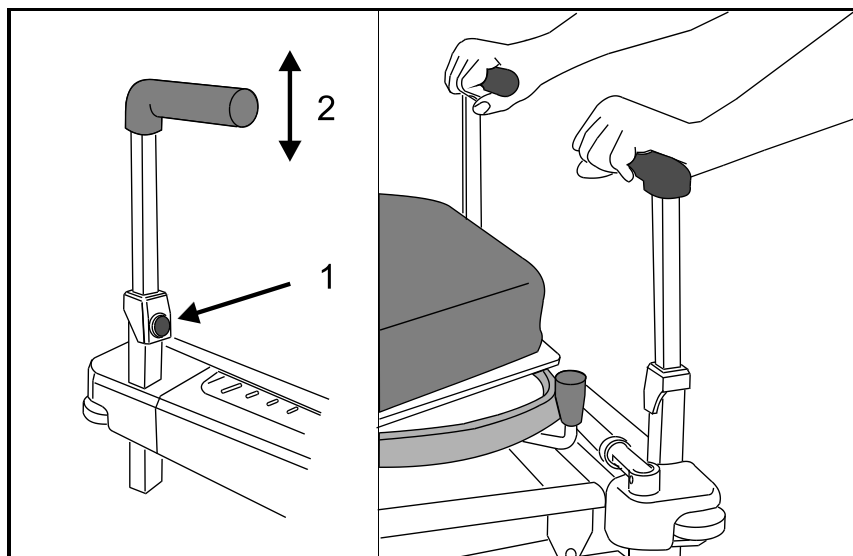
- 请务必使用适用于转运车的正确尺寸和种类床垫。
- 切勿将设备（特别是床垫）暴露于燃着的香烟等明火中。
- 在操作转运车之前，确保患者姿势正确以避免卡夹与不平衡。
- 操作转运车时，检查并确保所经之处无障碍物存在。
- 保存此说明书，以供参考。

床垫

床垫通过下侧和顶层的黏扣带搭扣固定到平台。

推杆手柄

如要调节手柄高度，请按下弹簧式释放按钮 (1)，并根据要求升降手柄 (2)。松开按钮将手柄锁定在高位或低位。



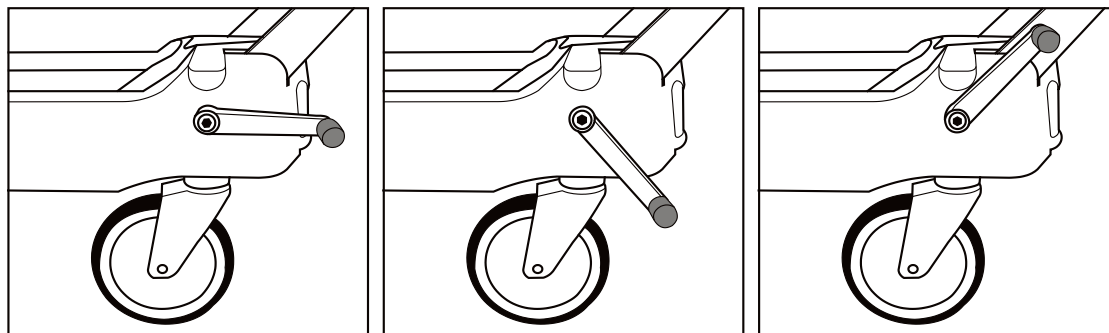
推杆手柄

制动和转向

转运车每一端都有一对联接在一起的制动踏板。将踏板往下推可对所有脚轮施加制动。

当踏板水平时，脚轮可自由滚动和转向。

安装可选的第五个轮子并完全拉起踏板时，转向脚轮将开始起作用。在此情况下，转运车可在任何方向直线前进，并可通
过转动第五个轮子来转向。未安装第 5 个轮子且转向脚轮位于脚端时，应从头端推动转运车。



自由

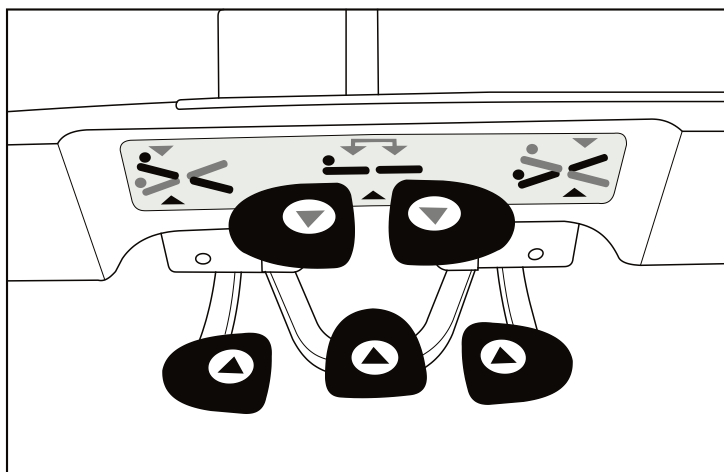
制动

转向

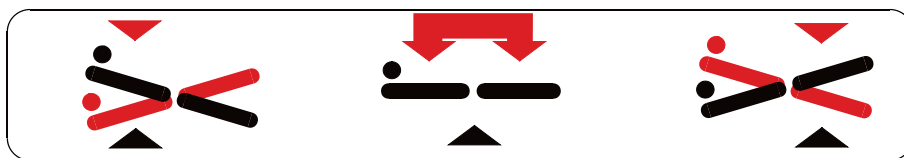
制动和转向控制

高度与倾斜度调节

使用转运车任何一侧的一组五个脚踏板，可调节床垫平台的高度与倾斜角度。下排被标记为 ▲ 的三个踏板用于升高平台。上排被标记为 ▼ 的两个踏板用于降低平台。



高度/斜度踏板排列



倾斜度调节

升高平台一端：通过打气动作来操作距该转运车那端最近的“升高”踏板 (▲)。

降低平台一端：按下距离该转运车那端最近的“降低”踏板 (▼) 并保持按住。



另外一个附加“降低”踏板 (▼) 可用于从转运车头端施加头低脚高位倾斜。

高度变化

升高平台：通过打气动作操作中央“升高”踏板 (▲)。

降低平台：按下两个“降低”踏板 (▼) 并保持按下状态。

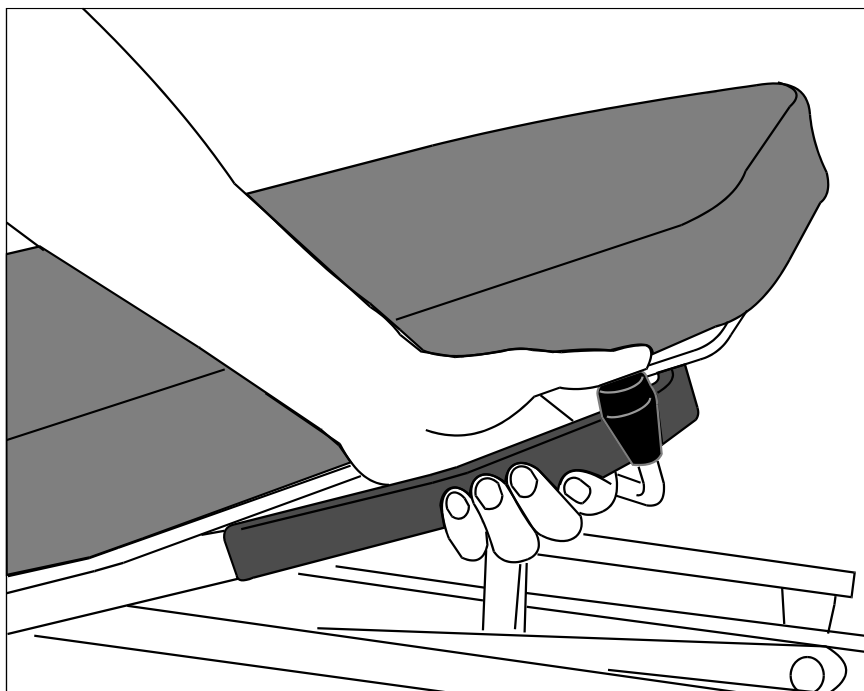
如果在倾斜时将平台升高或降低，那么将一直保持倾斜角度，直至前端达到行程极限，此时平台将恢复水平状态。

背板



升降靠背所需使用的气力将随着患者体重与活动行动能力而变。当患者很重时，如果在释放时不加以支撑，则靠背有可能迅速下落。

调节靠背：紧握手柄，按下释放旋钮，然后借助气弹簧将靠背升高，或者顶着气弹簧作用力将其按下。松开释放旋钮以任何角度将靠背锁定。

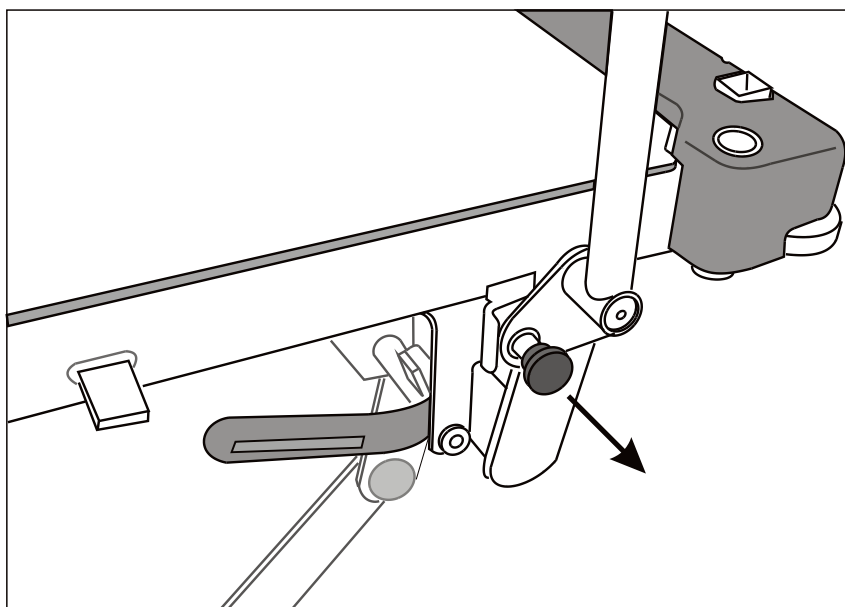


调节靠背

安全护栏

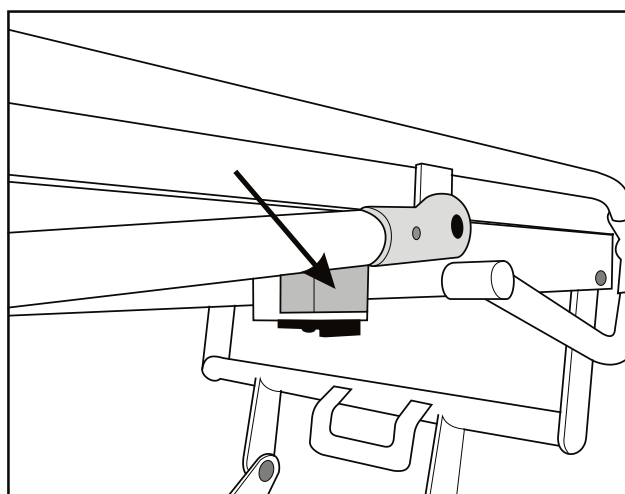
升高安全护栏：手扶顶部栏杆将其提高，直至其锁定在最高位置。

降低安全护栏：用一只手握住顶杆，拉出转运车脚端的释放按钮，然后朝头端降低顶杆。

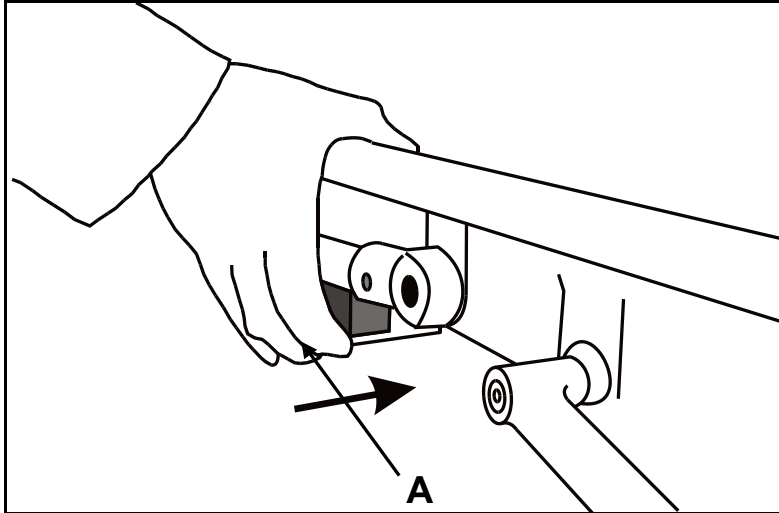


安全护栏释放按钮

为了避免遮挡拍摄侧面 X 射线照片时“C”型臂 X 射线的视野，可将每个安全护栏放低到甚至比其初始停留位置还要低的位置。安全护栏折叠后将支撑在床垫平台侧框架两端的两个止动销上。



安全护栏停止位置



安全护栏停止操作

警告

当安全护栏处于折叠位置时，垂直杆将支撑在两个止动销上。

小心操作，保持手和手指远离这些区域。

操作

放低安全护栏直到垂直杆位于两个白色的塑料止动销上。

在转运车头端，如图所示，将大拇指放在安全护栏的顶杆上，用其余手指将滑扣 (A) 向转运车框架方向推动（不要同时挤压栏杆和锁扣），该锁扣位于每个护栏白色塑料止动销的下方。

注意事项

只能使用滑扣 A 收缩安全护栏止动销。

注意事项

切勿使用安全护栏移动转运车。只能使用推杆手柄操作转运车。

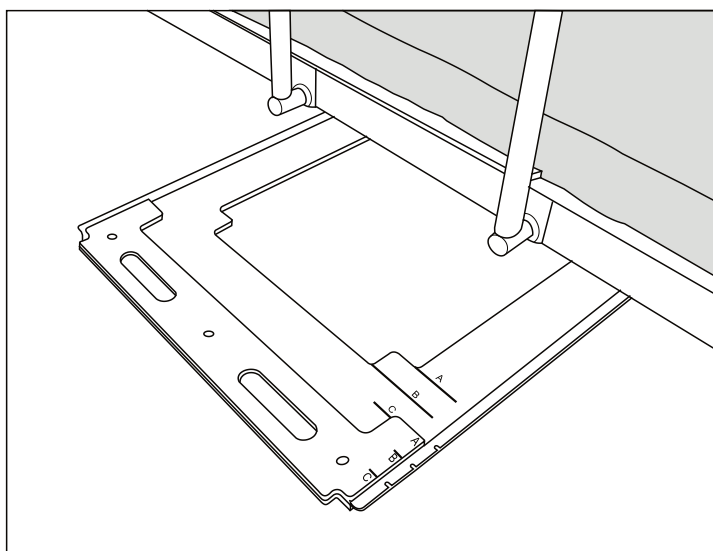
完全推入滑扣后，顶杆缓缓向下降落到第二个位置。

在转运车脚端，一只手握住顶杆，另一只手推动滑扣 (A)。如前相同，完全推入滑扣后，顶杆将缓缓向下降落到第二个位置。

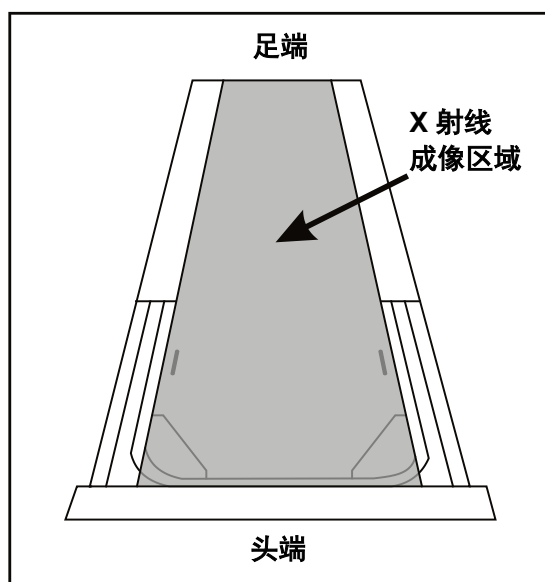
将安全护栏恢复到正常位置：在转运车约中间位置提起安全护栏的顶杆。止动销将自动弹回到初始位置。

X 射线影像

床垫平台可透过 X 射线。位于床垫平台下方的 X 射线匣屈可沿该平台的纵向放在任何位置，涵盖所有患者类型。

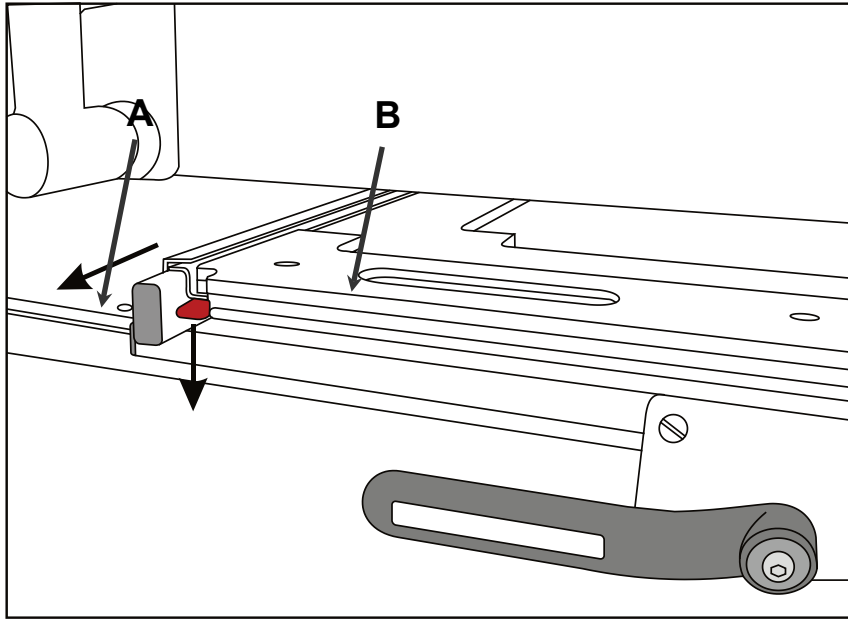


从患者左侧装卸 X 射线匣屈



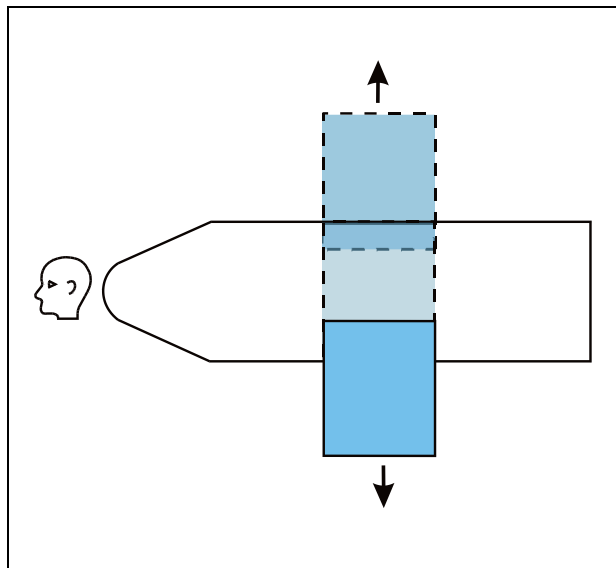
显示出成像区的床垫平台

加载或卸载 X 射线暗匣： 按下红色锁扣 (A)，使用插槽 (B) 拉出匣屈直到它到达停止位置。



匣屈锁扣

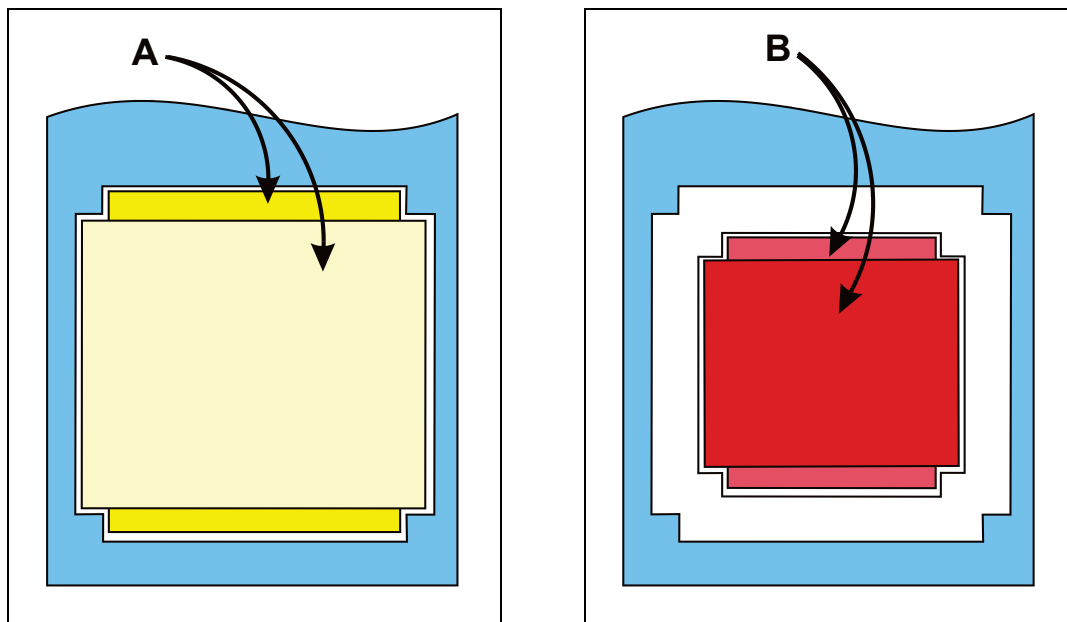
可从床垫平台两侧装卸 X 射线匣屈。



匣屈装卸

匣屈具有隐槽，适合两种尺寸的 X 射线暗匣：**A** (390mm x 466mm) 和 **B** (273mm x 334mm)。

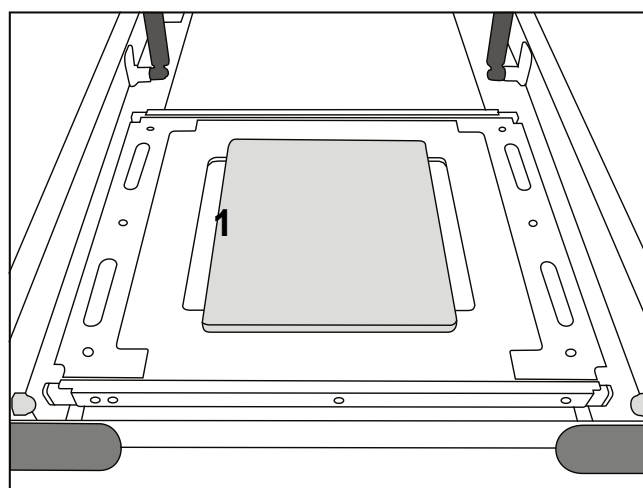
对于每种尺寸的 X 射线暗匣，共有两个可能的位置，互呈 90°。



X 射线暗匣位置选项

将 X 射线暗匣平放到相应隐槽中。将匣屈推回到床垫平台下，直到锁定到位。

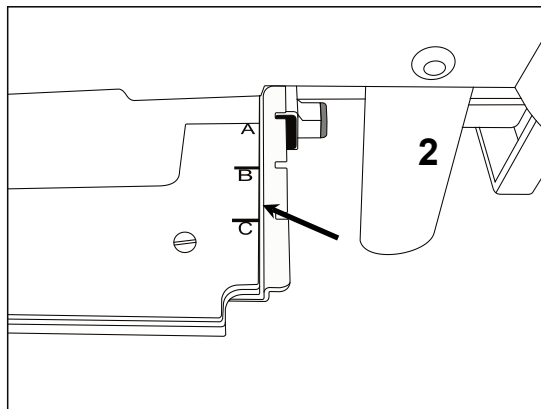
将匣屈直推到锁定位置后，它将位于成像区域的中央，如下所示 (1)。



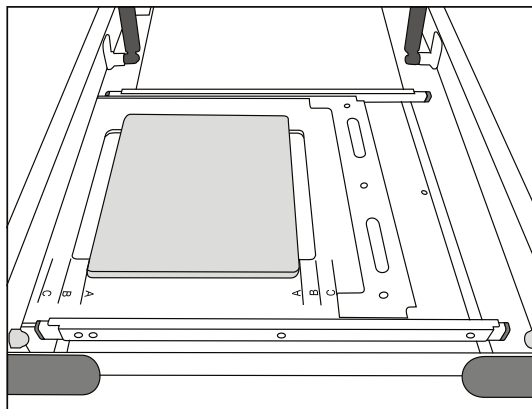
X 射线匣屈位于中央位置 (靠背已升起)

要从中央位置偏移匣屉：

拉出匣屉并将标记之一（A、B 或 C）与黑色指示条 (2) 对齐。这些标记与 X 射线暗匣旁边的字母相对应。例如，当标记 A 与指示条对齐时，说明 X 射线暗匣的边 A 位于成像区域的边界上。



患者左侧的匣屉标记

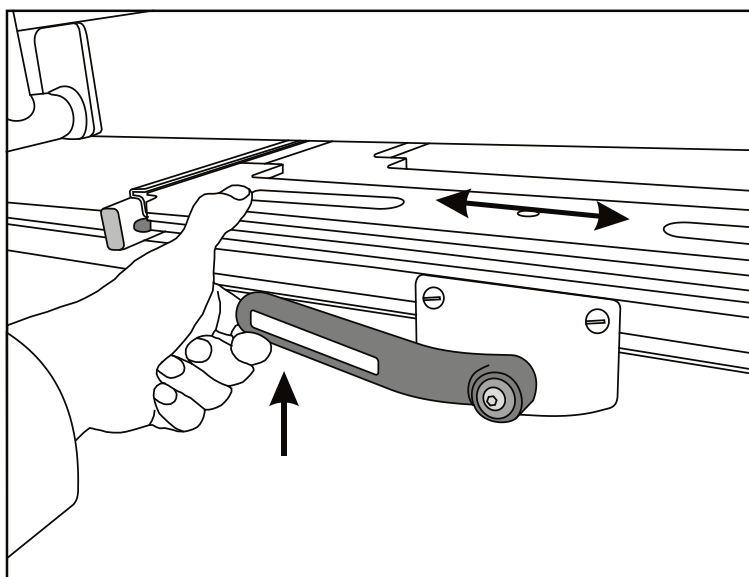


匣屉位于偏移位置 A (靠背已升起)

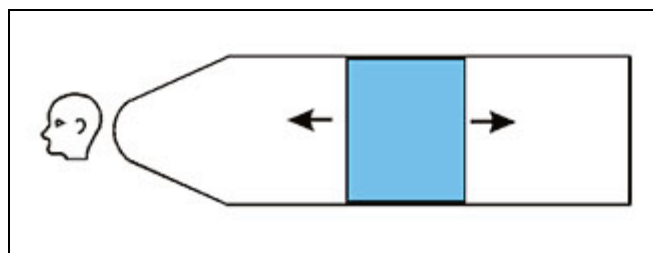


沿床垫平台的纵向调整 X 射线匣屉的位置：

提起控制杆，将匣屉滑到目标位置。松开控制杆以将匣屉固定到位。

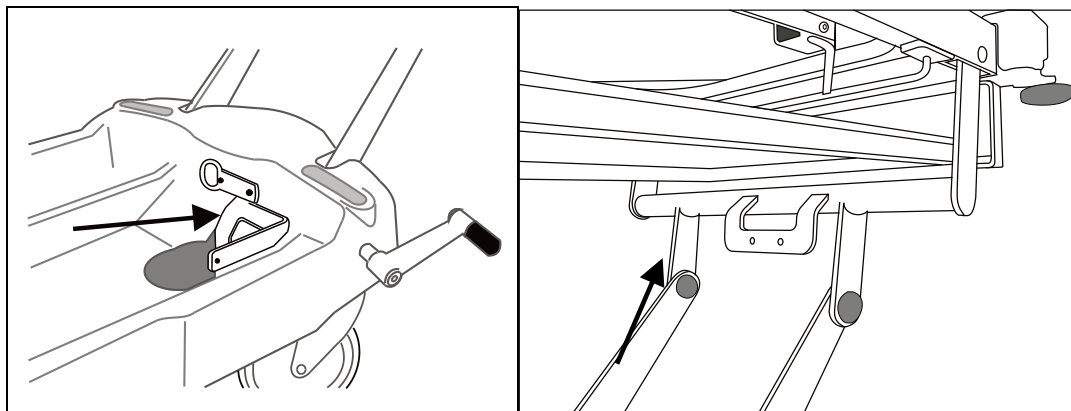


X 射线匣屉控制杆



匣屉移动

氧气瓶存放装置 位于转运车底部的凹座将容纳 D、E 或 F 号氧气瓶。橡胶垫用于保护瓶体以防意外移动。此外，还提供便于安装和使用氧气治疗系统的装置。转运车头端配有一个短轨（Medirail）用于放置流量计和注吸装置。转运车底部安装有一个通用安装支架，以收纳吸入接收器罐。



转运车底座中的固定托架及头端的短轨（Medirail）

警告

确保氧气管未被缠结或卡住，这有可能造成氧气管损坏或供氧不足。

操作转运车时，确保其不与安装的设备碰撞（尤其在低位时）。

如果尚未安装固定托架，则除去底座盖模中的孔上的塑料盖，使用两个 6 毫米圆头螺钉和螺母通过底座架上预钻取的孔连接托架。

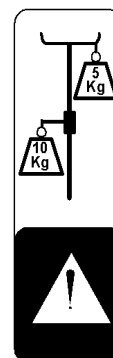
静脉输液杆架 MB-ACC32

将输液杆插入平台四角上的四个管状插孔 (1) 之一中。

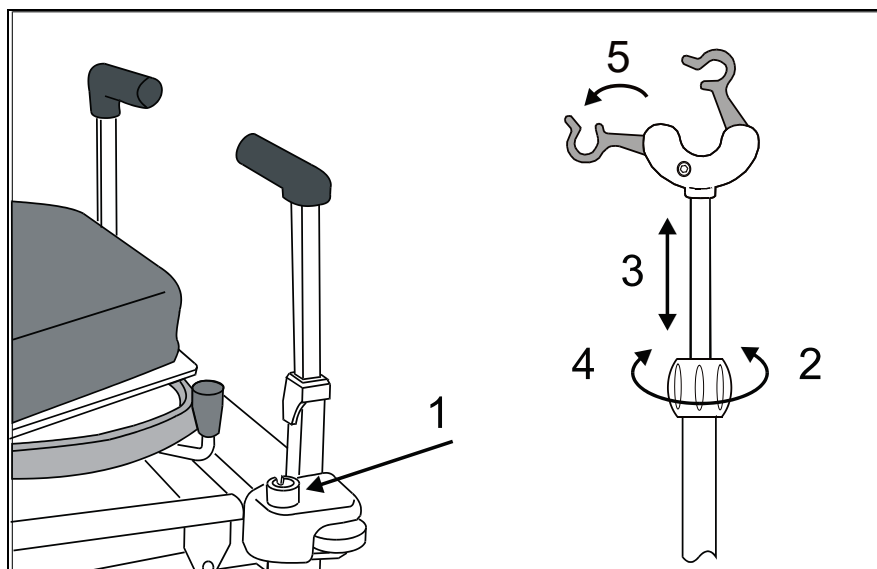
警告

挂钩上的最大总负载不得超过 5 kg

连接到下部管子上的最大负载不得超过 10 kg



调节高度：握紧伸缩杆，拧松锁定环 (2)，根据需要升高或降低 (3) 挂钩，然后重新拧紧锁定环 (4)。将挂钩展开 (5)。



静脉输液杆架位置与操作

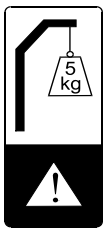


升高挂钩时，小心不要将杆升高到脱离插孔的位置。

储存：将杆调整到最小长度，拧紧锁定环，然后存储到转运车底座上的固定夹中。

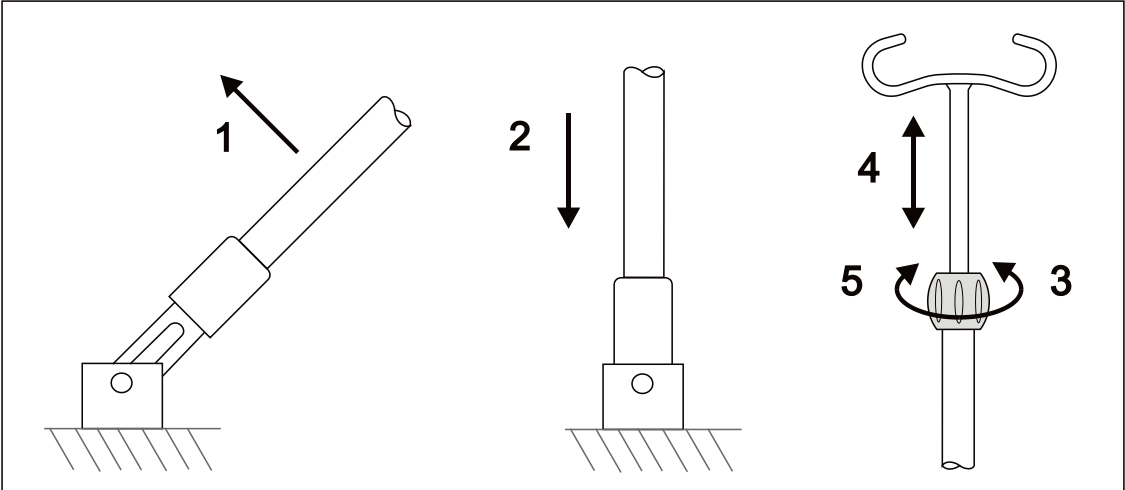
一体化输液杆 799.501 内置输液杆位于转运车头端。

警告
不得超过 5 kg 的最大安全负载。



将输液杆提起到垂直位置 (1) 并让它落入平台上的管状插孔 (2) 中。

调节高度：握紧伸缩杆，拧松锁定环 (3)，根据需要升高或降低 (4) 挂钩，然后重新拧紧锁定环 (5)。



整体式静脉输液杆架操作

储存：将输液杆调整到最小长度，拧紧锁定环，然后将杆从插孔中提出并向下折叠。

4. 配件

ArjoHuntleigh 提供一系列附件，如：床垫。可按需提供详细信息。下表中列出了当前可用于 *Lifeguard LG55* 的附件。

附件名称	产品编号
可调输液杆架	157003
脚端面板与弓形架	157009
带有监控台的脚部面板	157018
夹式台	157021
臂托	157006PE02
安全护栏垫（灰色）	99901PE16
DIN 导轨套件（头端）	LG/ACC03
氧气瓶支架（PD 型号）	LG/ACC04
DIN 导轨套件（脚端）	LG/ACC05
带有双向拉伸套的床垫	LGMAT/10
两部分转运床垫	LGMAT/13
两件式转运床垫“Pennyla”	LGMAT/13PN
Bi-Flex 减压床垫（椭圆形）	TRM2
Bi-Flex 减压床垫（带防滑）	TRM3

有些附件可能并非在所有市场均有售。ArjoHuntleigh 保留更改规格和供货方式的权利，恕不另行通知。

以下信息与转运车附带的附件相关。其他附件附带使用说明。

LGMAT/10

LGMAT/10 是一款整体式床垫，带有双向拉伸抗静电聚氨酯套，用于在转运过程当中带给患者足够的舒适度和方便清洁与消毒。

LGMAT/13

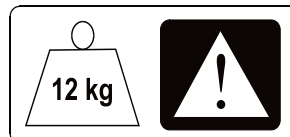
LGMAT/13 转运床垫经过设计，方便将患者从 *Lifeguard* 转运车搬运到毗邻表面，最大限度降低了患者的不适感。

脚部面板和监控 台型号 157018

将脚部面板安装到位于床垫平台末端的方形插孔内，使夹板位于外侧。

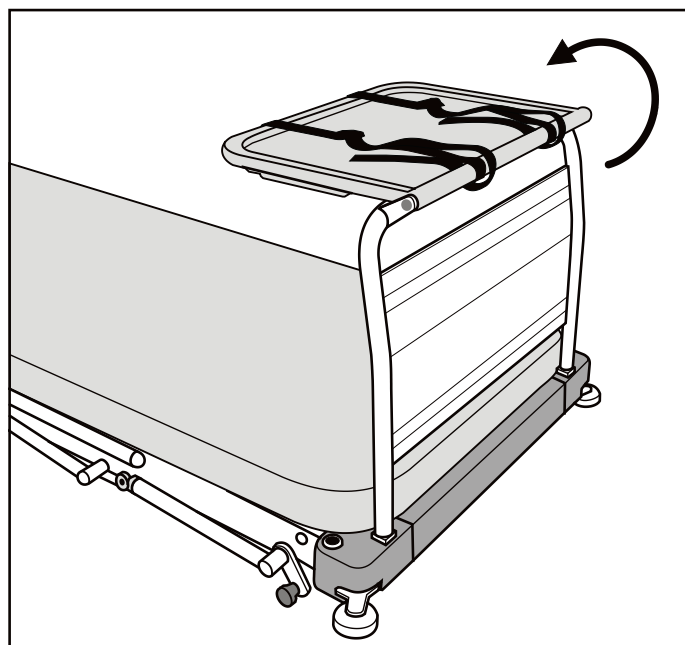
警告

最大安全承重为 12 kg，应保持均匀分布。



要使用监控台，需将夹板旋转到水平位置。使用条带将监视器固定到监控台上。

如要拆下脚部面板，将其从插孔内拔出。



安装完毕的监控台

5. 清洁消毒

建议使用以下流程，但应予以调整以遵守当地或所在国家（关于医疗设备消毒的）指导原则，这些指导原则可能在医疗机构或使用国家内适用。如果您不确定，应向当地传染病控制专家寻求建议。

在不同患者使用之前，应当对 *Lifeguard* 系统进行例行清洗，并在使用期间定期清洗；这对于所有可反复使用的医疗器械而言是一种良好的做法。

警告

执行消毒规程之前，一定要穿好防护服。

注意事项

在消毒过程中切勿使用苯酚基溶液或磨蚀性化合物或擦垫，否则会损坏表面涂层。不得对产品罩壳进行煮沸灭菌或高压灭菌

清洁

使用蘸有成分简单（中性）的清洁剂和水的布擦拭清洁所有裸露表面并清除所有有机碎屑。彻底干燥。

化学消毒

为保护罩盖的完整性，我们建议采用可用氯浓度为 1,000ppm（取决于当地政策和清洗状态，此值可介于 250ppm 到 10,000ppm 之间）的氯释放剂，如次氯酸钠等。

使用该溶剂擦拭所有清洗过的表面，然后彻底洗净并干燥。

也可以使用酒精基消毒剂（最大浓度 70%）作为替代。

在存放之前确保产品干燥。

如果从众多可用化学品中选择一种替代消毒剂，我们建议在使用前与该化学品供应商确认其适用性。

清洁床垫：使用温水浸湿的一次性抹布和中性清洗剂，擦拭所有表面。用清水冲洗，并用一次性纸巾拭干。

消毒床垫：使用浓度为 1,000ppm (0.1%) 有效氯的二氯异氰尿酸钠 (NaDCC) 溶液擦拭所有表面。

6. 保养和防护性维护

本产品在使用过程中会发生磨损和裂纹。为确保其性能继续符合出厂时规格，应按照所给时间间隔执行预防性维护操作。

警告

本列表列举了生产商建议的最低限度预防性维护。当本产品被重度使用或者用于恶劣的环境中，或在当地法规要求的情况下，应进行更频繁的检查。

未能执行这些检查，或者在发现问题后继续使用本产品，可能会危害患者和护理人员的安全。预防性维护可以帮助预防事故。

由护理人员执行的操作	每天	每星期	每年
按第五章中所示方法清洁与消毒	✓		
检查安全护栏的状况		✓	
目测脚轮		✓	
按下一页所述检测床垫	✓		
检查安全护栏垫（如安装）		✓	

如果有任何检查的结果不符合要求，请联系 ArjoHuntleigh 或授权维修代理。

警告

以下操作必须由经过适当培训和合格的人员执行。如果不这样做，可能会导致人身伤害或者产品不安全。

由具备资格人员执行的操作	每天	每星期	每年
按下列所述方法检查升降装置的运行情况			✓
检查靠背升降情况			✓
检查脚轮的运行情况，特别注意制动和转向功能			✓
检查液压泵是否泄漏			✓
检查所有螺母、螺栓和其他紧固件是否到位并正确拧紧			✓
检查所有附件，特别注意紧固件和移动部件			✓

床垫

检查护罩（尤其是接缝周围）是否存在有可能导致液体流入的切口或裂缝。必要时更换护罩。

拉开拉链，检查床垫芯是否出现液体流入的迹象（如：污点或潮湿）。必要时更换整个床垫。

升降装置

检查运行状况。在“升高”踏板的全行程过程中可感觉到稳定且强大的阻力。如果踏板压力可变或疲软，这有可能表明系统内存在空气，可按照下列方法解决：

1. 将平台升至最高高度。继续抽吸四到五个踏板行程，然后将平台完全降下。
2. 重复此操作两到三次。
3. 如果踏板无法重新有力和稳定地运行，请联系 ArjoHuntleigh 或者授权维修的代理。

X 射线暗匣固定器

检查暗匣固定器的操作。它应能顺畅地沿转运车纵向上下滑动。而且还应能在凹板两侧自由移入和移出。如果达不到上述标准，请联系 ArjoHuntleigh 或者授权的维修代理。

7. 保修和服务

ArjoHuntleigh 的标准条款适用于所有销售。

如需可获取。这些条款包含保修条款的全部详细信息，但不影响消费者的法定权利。

如您有关于本产品维修、保养和任何其他问题，请联系您当地的 ArjoHuntleigh 办公室或者授权经销商。本手册背面刊载了 ArjoHuntleigh 各办事处的列表。

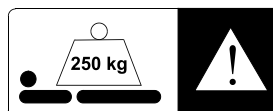
产品使用寿命

本产品的使用寿命通常是十 (10) 年。使用寿命的定义如下：遵照使用说明书中的要求，在正常使用条件下工作并得到维护的情况下，产品保持指定性能和安全性的持续时间。

8. 尺寸与数据

转运车, 型号 LG55

总长度	211 cm
总宽度	77 cm
床垫平台高度	93 cm (最大值) 56 cm (最小值)
头低脚高斜度 (最大值)	12°
头高脚低斜度 (最大值)	12°
调节靠背	0 至 87°
脚轮 (直径)	20 cm
产品重量 (近似值)	177 kg
安全承重	250 kg



床垫尺寸	195 x 67 x 6.5 cm 195 x 67 x 7.5 cm 195 x 67 x 13 cm
------	--

储存

小心搬运。请勿摔落。避免触电或猛烈撞击。

本设备应存放在清洁、干燥、通风良好且应满足下列条件的区域：

温度	-10°C 至 +50°C
相对湿度	30°C 条件下 20% 至 90%，非冷凝
大气压力	700hPa 至 1060hPa

Lectrolite® 为 Herculite Products Inc. 注册商标。

特意留空

AUSTRALIA

Arjo Australia Pty Ltd
78, Forsyth Street
O'Connor
AU-6163 Western Australia
Tel: +61 89337 4111
Free: +1 800 072 040
Fax: + 61 89337 9077

BELGIQUE / BELGIË

Arjo NV/SA
Evenbroekveld 16
BE-9420 ERPE-MERE
Tél/Tel: +32 (0) 53 60 73 80
Fax: +32 (0) 53 60 73 81
E-mail: info.belgium@arjo.com

BRASIL

Arjo Brazil
Maquet do Brasil
Rua Tenente Alberto Spicciati, 200
Barra Funda, 01140-130
SÃO PAULO, SP - BRASIL
Fone: +55 (11) 2608-7400
Fax: +55 (11) 2608-7410

CANADA

Arjo Canada Inc.
90 Matheson Boulevard West
Suite 300
CA-MISSISSAUGA, ON, L5R 3R3
Tel/Tél: +1 905 238 7880
Free: +1 800 665 4831 Institutional
Free: +1 800 868 0441 Home Care
Fax: +1 905 238 7881
E-mail: info.canada@arjo.com

ČESKÁ REPUBLIKA

ArjoHuntleigh s.r.o.
Na Strži 1702/65
140 00 Praha 4
Tel: +420 549 254 252
Fax: +420 541 213 550

DANMARK

Arjo A/S
Vassingerødvej 52
DK-3540 LYNØ
Tel: +45 49 13 84 86
Fax: +45 49 13 84 87
E-mail:
dk_kundeservice@arjo.com

DEUTSCHLAND

Arjo GmbH
Peter-Sander-Strasse 10
DE-55252 MAINZ-KASTEL
Tel: +49 (0) 6134 186 0
Fax: +49 (0) 6134 186 160
E-mail: info-de@arjo.com

ESPAÑA

Arjo Ibérica S.L.
Parque Empresarial Rivas Futura, C/Marie
Curie 5
Edificio Alfa Planta 6 oficina 6.1-.62
ES-28521 Rivas Vacia, MADRID
Tel: +34 93 583 11 20
Fax: +34 93 583 11 22
E-mail: info.es@arjo.com

FRANCE

Arjo SAS
2 Avenue Alcide de Gasperi
CS 70133
FR-59436 RONCQ CEDEX
Tél: +33 (0) 3 20 28 13 13
Fax: +33 (0) 3 20 28 13 14
E-mail: info.france@arjo.com

HONG KONG

ArjoHuntleigh (Hong Kong) Limited
Room 411-414, 4/F, Manhattan Centre,
8 Kwai Cheong Road, Kwai Chung, N.T.,
HONG KONG
Tel: +852 2960 7668
Fax: +852 2960 1711

ITALIA

Arjo Italia S.p.A.
Via Giacomo Peroni 400-402
IT-00131 ROMA
Tel: +39 (0) 6 87426211
Fax: +39 (0) 6 87426222
E-mail: Italy.promo@arjo.com

MIDDLE EAST

Huntleigh Middle East
Office G005 - Nucleotide Complex,
Biotechnology & Research Park,
P.O.Box 214742, Dubai,
United Arab Emirates
Tel: +971 (0)4 447 0942
E-mail: Info.ME@arjo.com

NEDERLAND

Arjo BV
Biezenwei 21
4004 MB TIEL
Postbus 6116
4000 HC TIEL
Tel: +31 (0) 344 64 08 00
Fax: +31 (0) 344 64 08 85
E-mail: info.nl@arjo.com

NEW ZEALAND

Arjo Ltd
34 Vestey Drive
Mount Wellington
NZ-AUCKLAND 1060
Tel: +64 (0) 9 573 5344
Free Call: 0800 000 151
Fax: +64 (0) 9 573 5384
E-mail: nz.info@Arjo.com

NORGE

Arjo Norway AS
Olaf Helset's vei 5
N-0694 OSLO
Tel: +47 22 08 00 50
Faks: +47 22 08 00 51
E-mail: no.kundeservice@arjo.com

ÖSTERREICH

Arjo GmbH
Lemböckgasse 49 / Stiege A / 4.OG
A-1230 Wien
Tel: +43 1 8 66 56
Fax: +43 1 866 56 7000

POLSKA

Arjo Polska Sp. z o.o.
ul. Ks Piotra Wawrzyniaka 2
PL-62-052 KOMORNIKI (Poznań)
Tel: +48 61 662 15 50
Fax: +48 61 662 15 90
E-mail: arjo@arjo.com

PORTUGAL

Arjo em Portugal
MAQUET Portugal, Lda.
(Distribuidor Exclusivo)
Rua Poeta Bocage n.º 2 - 2G
PT-1600-233 Lisboa
Tel: +351 214 189 815
Fax: +351 214 177 413
E-mail: Portugal@arjo.com

SUISSE / SCHWEIZ

Arjo AG
Fabrikstrasse 8
Postfach
CH-4614 HÄGENDORF
Tél/Tel: +41 (0) 61 337 97 77
Fax: +41 (0) 61 311 97 42

SUOMI

Arjo Scandinavia AB
Riihitontuntie 7 C
02200 Espoo
Finland
Puh: +358 9 6824 1260
E-mail: Asiakaspalvelu.finland@arjo.com

SVERIGE

Arjo International HQ
Hans Michelsensgatan 10
SE-211 20 MALMÖ
Tel: +46 (0) 10 494 7760
Fax: +46 (0) 10 494 7761
E-mail: kundservice@arjo.com

UNITED KINGDOM

Arjo UK and Ireland
Houghton Hall Park
Houghton Regis
UK-DUNSTABLE LU5 5XF
Tel: +44 (0) 1582 745 700
Fax: +44 (0) 1582 745 745
E-mail: sales.admin@arjo.com

USA

Arjo Inc.
2349 W Lake Street Suite 250
US-Addison, IL 60101
Tel: +1 630 307 2756
Free: +1 800 323 1245 Institutional
Free: +1 800 868 0441 Home Care
Fax: +1 630 307 6195
E-mail: us.info@arjo.com

Arjo Japan K.K.

東京都港区東新橋二丁目11番3号第2小川ビル
3階
電話 : +81 (0)3-6435-6401

Address page - REV 21: 02/2018

产品名称：转运车

规格型号：LG55

备案凭证编号：国械备20161884号

产品技术要求编号：国械备20161884号

生产日期：见标签

注册人/生产企业名称： ArjoHuntleigh AB 而久亨特利瑞典
注册人/生产企业住所： Hans Michelsensgatan 10, 211 20 Malmö, Sweden
注册人/生产企业联系方式： +46(0)103354500
生产地址： ul.ks.Wawrzyniaka2, 62-052 Komorniki, Poland

售后服务单位： 佞捷祐（苏州）医疗设备贸易有限公司
代理人名称： 佞捷祐（苏州）医疗设备贸易有限公司
代理人住所： 苏州工业园区方洲路 158 号
代理人联系方式： 400-087-2882

修订日期：2018-09-06

ARJOHUNTLEIGH
GETINGE GROUP



ArjoHuntleigh AB
Hans Michelsensgatan 10
211 20 Malmö, Sweden
www.arjohuntleigh.com



ArjoHuntleigh is a world-leading provider of integrated products and solutions that improve the lives of patients and residents with reduced mobility. We help healthcare facilities deliver wellness and effective everyday care, early mobilisation, safe patient handling, venous thromboembolism prevention, pressure injury prevention, hygiene routines, bariatric care and diagnostics. With extensive knowledge and experience, we strive to improve efficiency and ensure a safer and dignified environment for caregivers and their patients.
