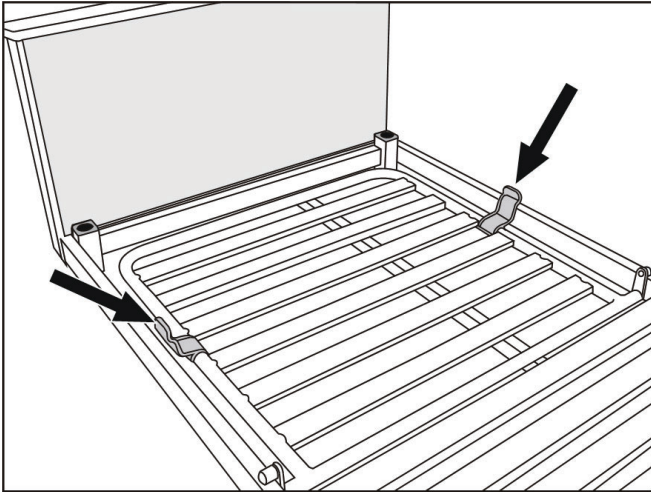


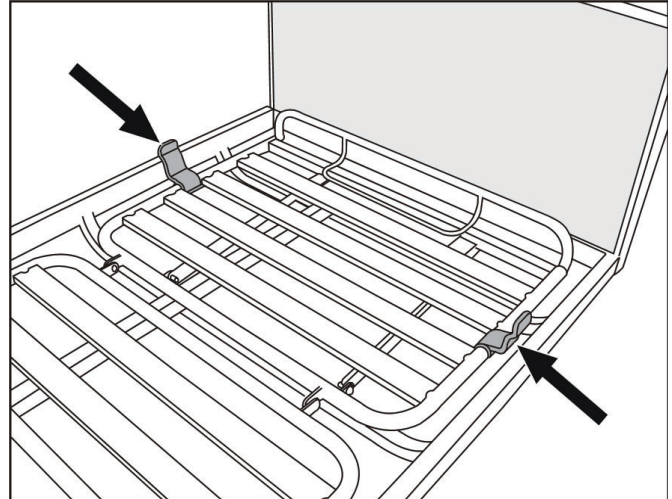
Mattress retainers CM-ACC24



Model CM-ACC24 (Mattress Retainers) is designed for use on the Arjo Minuet® 2 range of community beds. It comprises four plastic mouldings that are attached to the backrest and leg sections to prevent sideways movement of the mattress.

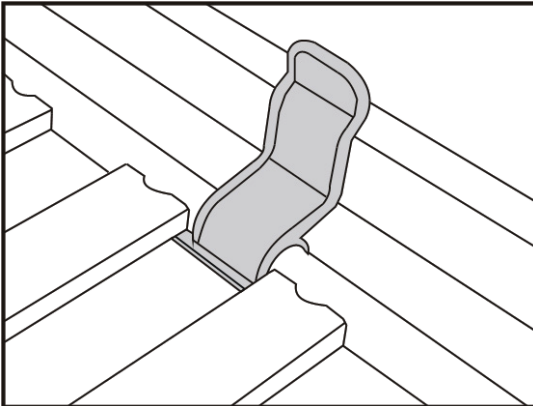


Mattress retainers on backrest



Mattress retainers on leg section

Installation & use



Clip the mattress retainers onto either side of the backrest and leg sections. They should be positioned on the side frame, between the mattress support bars, with the flaps angled towards the outside of the bed as shown.

The diagrams overleaf show the correct positions for the mattress retainers on different models of Minuet® 2 beds.



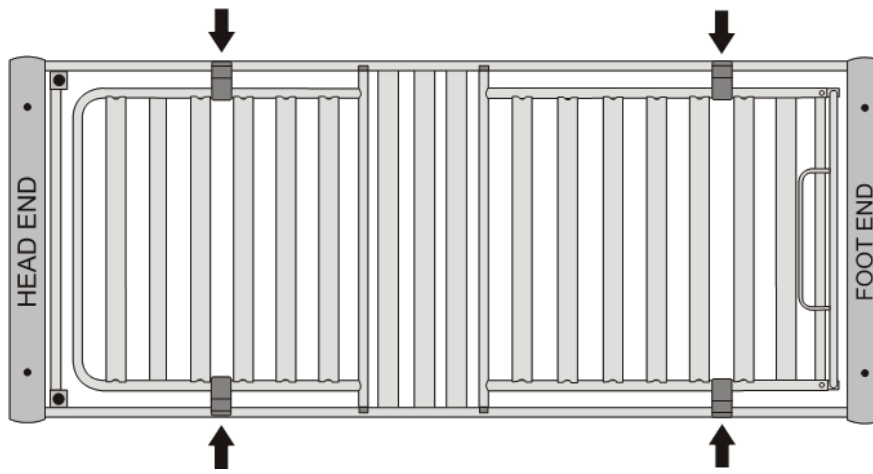
WARNING

Refer to the appropriate diagram for your model of bed to ensure correct positioning of the mattress retainers.

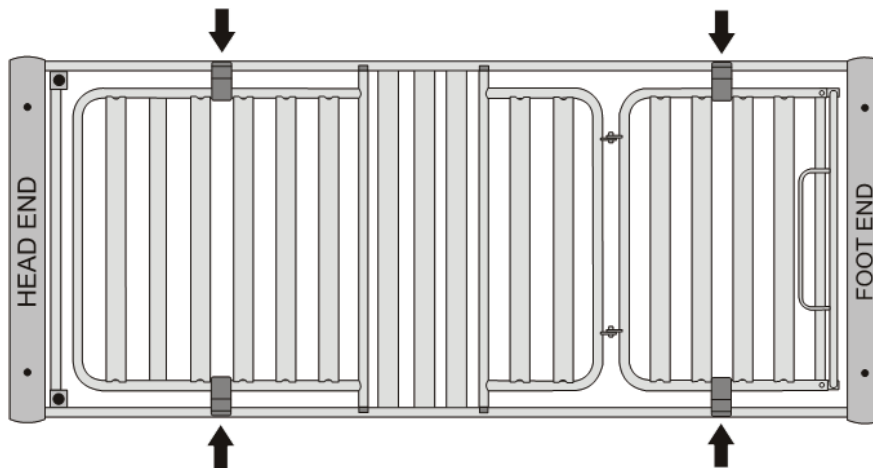
Keep your hands away from the mattress retainers when lowering the backrest or leg sections.

End of disposal

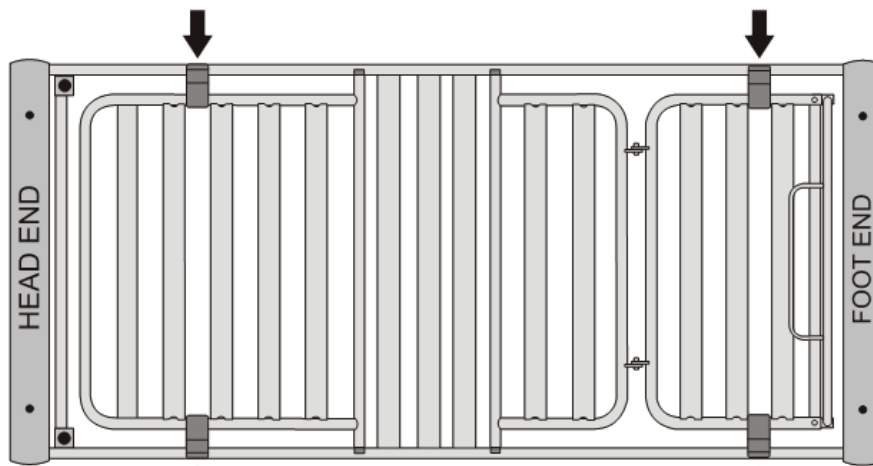
Accessories material or any other textiles, polymers or plastic materials etc. should be sorted as combustible waste.



Mattress retainer positions on Minuet® 2 models 150 & 151



Mattress retainer positions on Minuet® 2 models 160 & 161



Mattress retainer positions on Minuet® 2 Petite model 165