

SUPPORTING A TOTAL CEILING LIFT CONCEPT

KWIKtrak[®] track solution



Tailored to the specific needs of the hospital or healthcare facility, Arjo KWIKtrak™ has been specifically designed with aesthetics in mind, providing a discrete solution that integrates seamlessly with your care environment. The flexible system helps you maximise the utilisation of your space without compromising the efficiency of your environment.

ARJO MOBILITY GALLERY



C D E © Arjo 2021

C. Able to partially bear weight on at least one leg. Uses a wheelchair for moving a distance.

D. Unable to bear weight through feet. Is able to sit if well supported.

E. Difficulty maintaining sitting, hence might remain lying/partially lying in bed, and may only sit in a special supportive chair.

Please contact Arjo for further information.

Supporting a total ceiling lift concept

KWIKtrak™ provides an optimized track solution for the Maxi Sky® series of ceiling lifts. This flexible system covers all layout requirements, and solutions are available for a wide range of ceiling and structure types.

KWIKtrak™ includes track, curves, X-Y traverse systems, gates, turntables, exchangers, and many modular components that can be combined to create the ideal layout for your specific requirements.

The modular component concept of KWIKtrak™, especially the patented track bracket, means the system's installation procedure is fast and with minimal disruption to your environment, making sure your Maxi Sky® series of ceiling lifts is up and running promptly.

Key features

PROFILE DESIGN

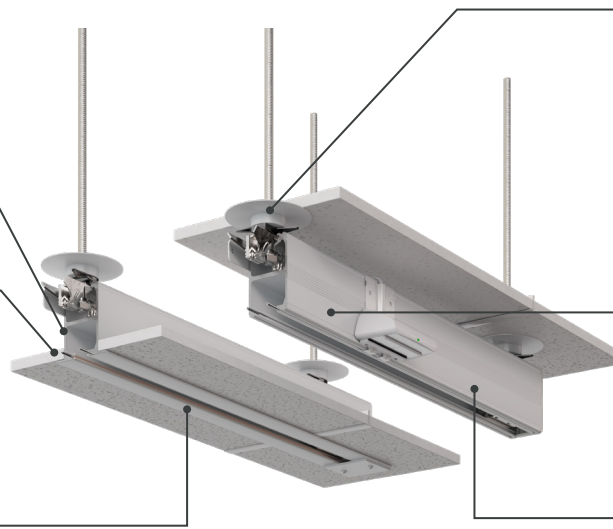
Slim symmetrical design rail is aesthetically pleasing and permits a tight turning radius on curves.

TRACK JUNCTIONS

Smooth seamless joints use a unique pin locking system that improves lateral movement and a finished appearance.

EMBEDDED PROFILE

Mounted into the ceiling, this profile equipped with a lip, facilitates seamless integration with your ceiling, which enables a more discrete look as well as increasing lifting stroke.



THE TRACK BRACKET

This patented track bracket design ensures a fast installation and facilitates leveling with minimal disruption to your environment.

Its built-in locking indicator provides a visual evidence to the inspector confirming the bracket is properly secured.

STANDARD PROFILE

Typically used and installed below ceilings. The white color with gloss smooth finish blends in nicely into any room decor.

CLEANING & DISINFECTION

Effective disinfection methods that comply with local or national guidelines.

PRODUCT INFORMATION

KWIKtrak Rail	Installation methods up to 454 kg (1000 lbs)
Rail profile	90mm (3 ½") Standard below ceiling tracking
	90mm (3 ½") Embedded into ceiling
	140mm (5 ½"), for long spans or traverse tracks (up to 7m long)
	180 mm (7"), for long spans or traverse tracks (up to 8m long)
Weight by meter (39")	90mm (3 ½") Standard = 3.2 kg (7 lb)
	90mm (3 ½") Embedded = 3.2 kg (7 lb)
	140mm (5 ½") = 5 kg (11 lb)
	180 mm (7") = 6.5 kg (14 lb)

KWIKtrak Curves

Rail profile	45° and 90°, 90 mm (3 ½") Standard below ceiling tracking, 585 mm (23") radius
	45° and 90°, 90 mm (3 ½") Embedded into ceiling tracking, 585 mm (23") radius
	45° and 90°, 140 mm (5 ½") Standard below ceiling tracking, 970 mm (38") radius

Material	Extruded aluminium powder coated
Colour	White (RAL9016)

Room covering system (X-Y)	Up to 454 kg (1000 lbs)
-----------------------------------	-------------------------

Attachment types	
Ceiling mounted	Up to 454 kg (1000 lbs)
Wall mounted	Up to 272 kg (600 lbs)

Charging options	Dedicated charging station (C-Stat)
	Charge anywhere with Enhanced Charging System (ECS)
	Wall charging system (WCS)

PRODUCT ACCESSORIES

Track accessories	SWL 272 kg (600 lbs)
Gate systems	Powered by ceiling lift
Turntable automatic	Powered by ceiling lift
Turntable manual	Operated by pull cord
Exchanger	Powered by ceiling lift
Track accessories	SWL 454 kg (1000 lbs)
Bariatric Gate systems	Powered by ceiling lift

APPROVALS

Approvals	CSA No 601.1 UL No 2601-1 certifications IEC-60601 CE marked / ISO 10535 TÜV EUMDR
------------------	---

TRACKING COVERAGE

