

Malibu[®] and Sovereign[®]



Featuring
integrated
transfer chair

Now with increased immersion and each featuring an integrated transfer chair, Malibu[®] and Sovereign[®] enable you to make the benefits of bathing available to a broad spectrum of residents while simplifying transfers within the bathroom.

Designed with Albert, Barbara and Carl in mind, while Sovereign can also be suitable for Doris.



Work efficiently and confidently

Fully height adjustable, both Malibu and Sovereign enable you to position the bath as well as your resident at your preferred working height, which can significantly reduce the risk of static overload. In addition, Sovereign's contoured base is designed for residents with reduced torso strength by providing added support for the thighs and knees.

Promote well-being

Malibu now comes with a deeper tub for improved immersion. Both Malibu and Sovereign also offer optional Air Spa therapy, which creates bubbles in the water to provide a soothing massage sensation.

Compatibility with Arjo transfer aids

Both bathing solutions are fully compatible with Arjo transfer aids, giving you flexibility and choice to tailor the bathing experience according to the unique needs and preferences of your resident.

Key features*

INTEGRATED, DETACHABLE CHAIR LIFT

For smooth transfer in and out of bath.

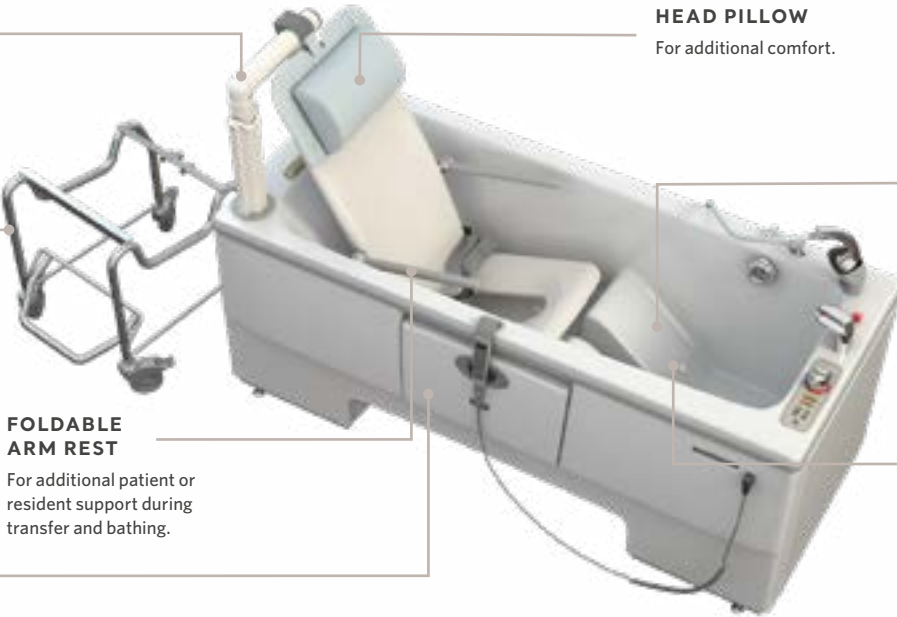
REMOVABLE CHASSIS

Optional removable chassis attaches to integrated transfer chair for bedroom to bathroom transfer.

FULLY HEIGHT ADJUSTABLE

To help caregiver reach preferred working height.

INTEGRATED DISINFECTION SYSTEM



FOLDABLE ARM REST

For additional patient or resident support during transfer and bathing.

HEAD PILLOW

For additional comfort.

AUTO-FILL

Automatically fills the bath to pre-set level.

CONTOURED BASE

Offers torso and knee support. Only featured on Sovereign.

24H FLUSH CYCLE

For water contamination control.

AIR SPA

Creates jets of bubbles through nine strategically located nozzles (optional).

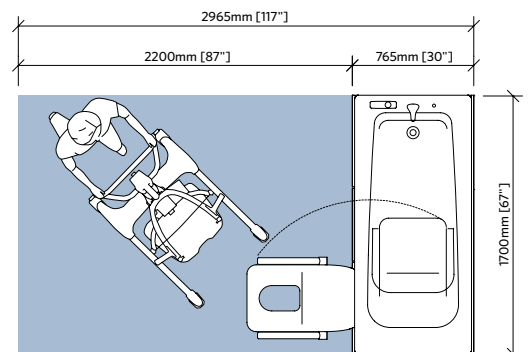
THERMOSTATIC MIXER

Maintains safe and comfortable water temperature.

* This image shows Sovereign bath tub.

PRODUCT INFORMATION	Malibu 1600	Malibu 1700	Sovereign
Max safe working load (SWL) (patient + water) , kg	367	415	345
Maximum patient weight, kg	130	130	130
Total weight, kg (excluding package, water & patient)	156	172	156
Total length, mm	1602	1702	1702
Total width, mm	770	770	770
Min height from tub rim, mm		680	
Max height from tub rim, mm		980	
Water consumption (prefilled foot well volume/autofill level), liter	138	177	112
Water consumption up to overflow level, liter	237	285	215
Filling time at 3 bar (43.5 PSI) dynamic pressure (prefill), min	3 min 10 sec	4 min 20 sec	2 min 40 sec
Emptying time, min	5 min 55 sec	7 min 30 sec	5 min 40 sec
IP Class according to IEC 60529		IPX4	
Maximum static water pressure	6 bar (600 kPa, 87 psi)		
Minimum operating pressure	1 bar (100 kPa, 14.5 psi)		

SPACE REQUIREMENT



Blue area denotes the required working area to facilitate transfer and hygiene activities and provide adequate access for the resident, equipment and carer from one side.

STANDARD FEATURES

- Auto-fill
- Temperature display
- Multiple levels of scalding protection
- Emergency stop
- Button lock
- Overflow
- 24h water flush throughout the system
- Shower head holder at the rim of the tub

OPTIONAL FEATURES

- Integrated cleaning and disinfection system
- Air Spa therapy with 2 intensity levels
- Back-up battery - for emergency lowering in case of power failure
- Removable chair chassis

For more detailed information and to download the product Instructions for Use, visit www.arjo.com