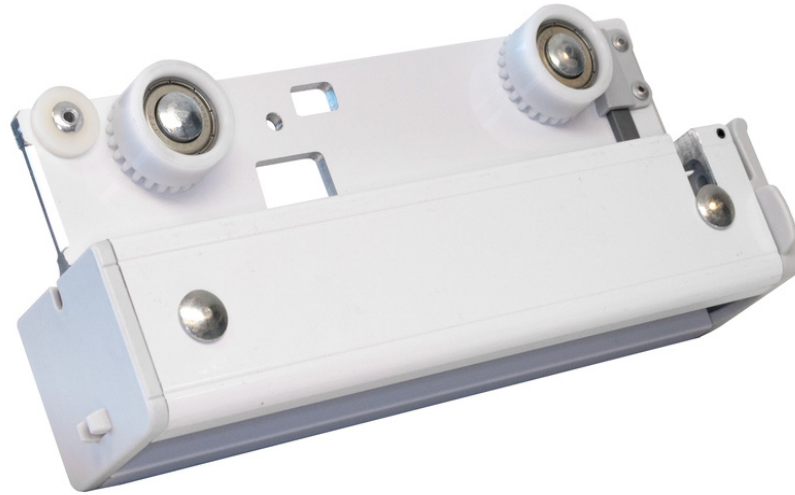


A CEILING LIFT RELOCATION ACCESSORY

Maxi Sky 2 Transportable



Adding flexibility to Maxi Sky 2 renowned technology

The **Maxi Sky® 2 Transportable** is an accessory to the Maxi Sky 2 ceiling lift. The ceiling lift relocation accessory allows the Maxi Sky 2 ceiling lift to be easily removed from its current location and transported to another room that is also equipped with a receiving module. The Maxi Sky 2 Transportable offers new flexibility for the current Maxi Sky 2 ceiling lift that does not compromise on safety and offers great value to customers looking for the renowned benefits of the Maxi Sky 2 Technology in multiple rooms.

Designed with flexibility and safety in mind

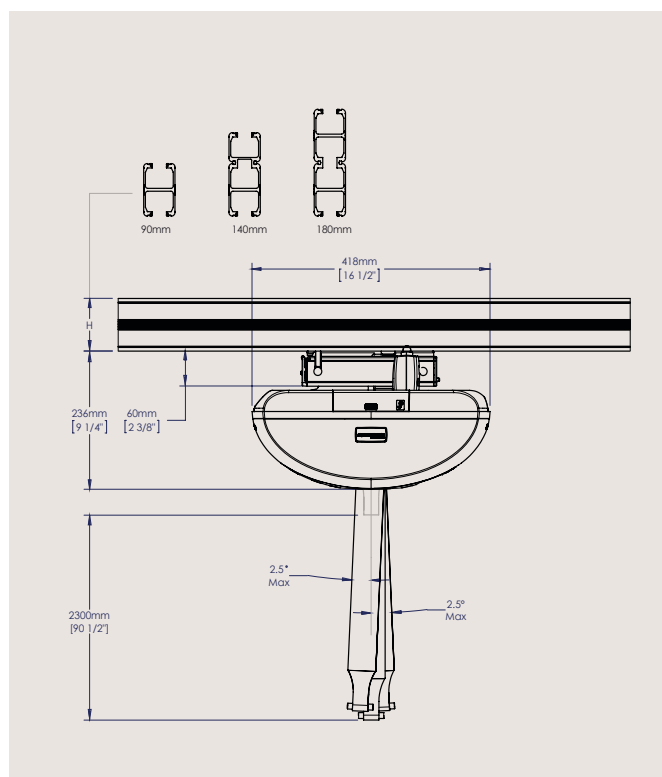
- **Quick** and easy relocation of the Maxi Sky 2 ceiling lifts in different rooms.
- **Innovative** patent pending design providing system with optimal user safety.
- **Optimisation** of fleet management with occasional relocation of ceiling lifts by a technician
- **Compatible** with all KWIKtrack™ installations and Maxi Sky 2 ceiling lift.

MAIN COMPONENTS

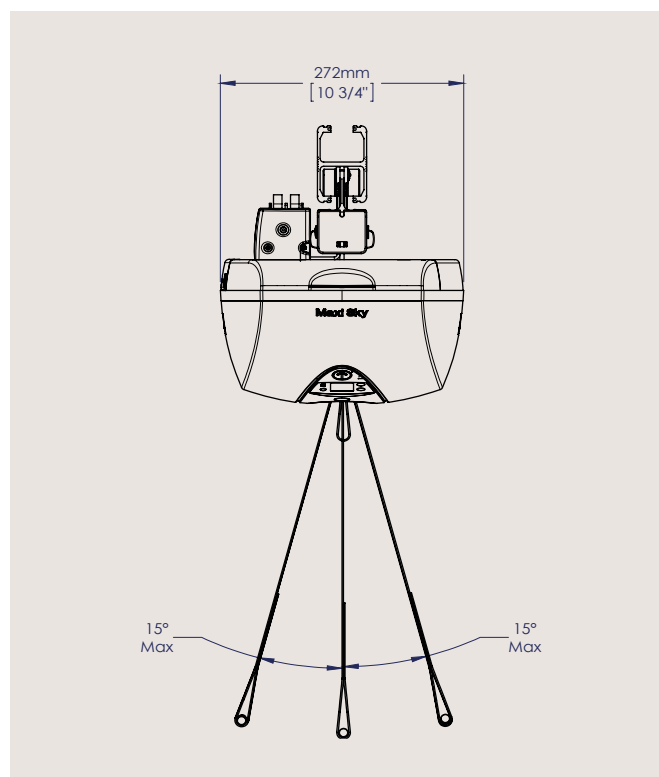
Maxi Sky 2 Ceiling Lift	Conversion Kit	Receiving Module	Maxi Sky 2 Cart
	<p>C-Stat (700-31409)</p>  <p>ECS (700-31405)</p> 	<p>C-Stat (700-31400)</p>  <p>C-Stat Curtain Gap (700-31421)</p>  <p>ECS (700-31401)</p>  <p>Each receiving module is provided with a power supply and a C-Stat charger (C-Stat and C-Stat curtain gap models)</p>	<p>C-Stat (700-31400)</p>  <p>Step ladder, Maxi Sky 2 and spreader bars not included</p>

Specifications

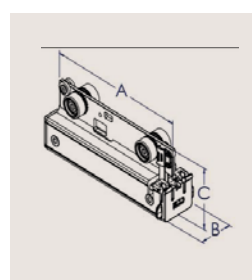
Maxi Sky 2 Ceiling Lift with Maxi Sky 2 Transportable



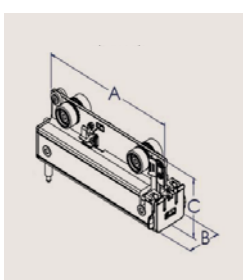
Maxi Sky 2 Transportable (Model 700-31400 Shown)



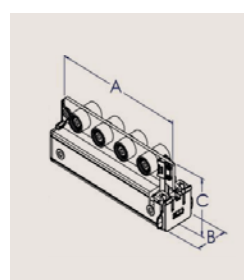
Maxi Sky 2 Transportable – Receiving Modules



700-31400 (C-STAT)	
	mm in
A	243 9 5/8
B	72 2 7/8
C	102 4
Weight: 0.89 kg/1.96lb	



700-31401 (ECS)	
	mm in
A	243 9 5/8
B	72 2 7/8
C	102 4
Weight: 0.92 kg/2.03 lb	



700-31421 (curtain gap)	
	mm in
A	243 9 5/8
B	72 2 7/8
C	96 3 3/4
Weight: 0.98 kg/2.15 lb	

Only Arjo designed parts, which are designed specifically for the purpose, should be used on the equipment and products supplied by Arjo. As our policy is one of continuous development we reserve the right to modify designs and specifications without prior notice. ® and ™ are trademarks belonging to the Arjo group of companies.
© Arjo, 2022

At Arjo, we believe that empowering movement within healthcare environments is essential to quality care. Our products and solutions are designed to promote a safe and dignified experience through patient handling, medical beds, personal hygiene, disinfection, diagnostics, and the prevention of pressure injuries and venous thromboembolism. With over 6800 people worldwide and over 60 years caring for patients and healthcare professionals, we are committed to driving healthier outcomes for people facing mobility challenges.

Arjo AB · Hans Michelsengatan 10 · 211 20 Malmö · Sweden · +46 10 335 4500

www.arjo.com

