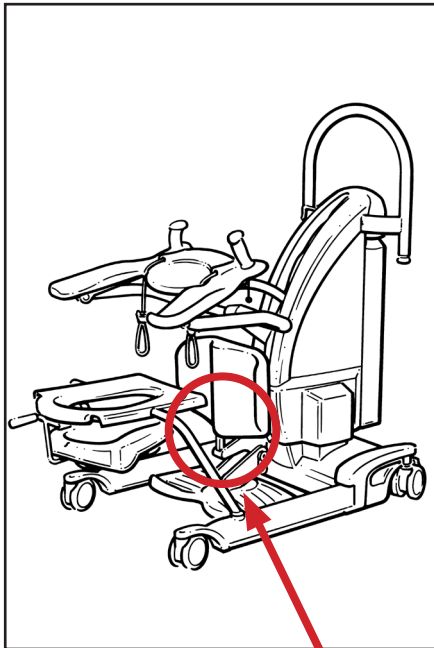


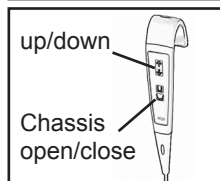


This Quick Reference Guide has been produced to assist Healthcare Professionals and other users with only the functional aspects of the system. The guide does not replace the general safety warnings, cautions and recommendations provided in the product instructions for use, part number KKX52180M-EN. Refer to the product instructions for use before using this product.

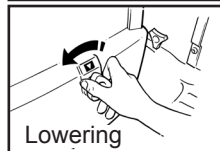
Product Overview



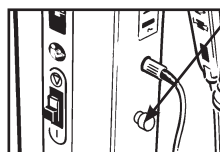
Take each adjustment cord in turn and attach to the sling



Use the handset to operate



If necessary, turn the lower override knob to lower the resident

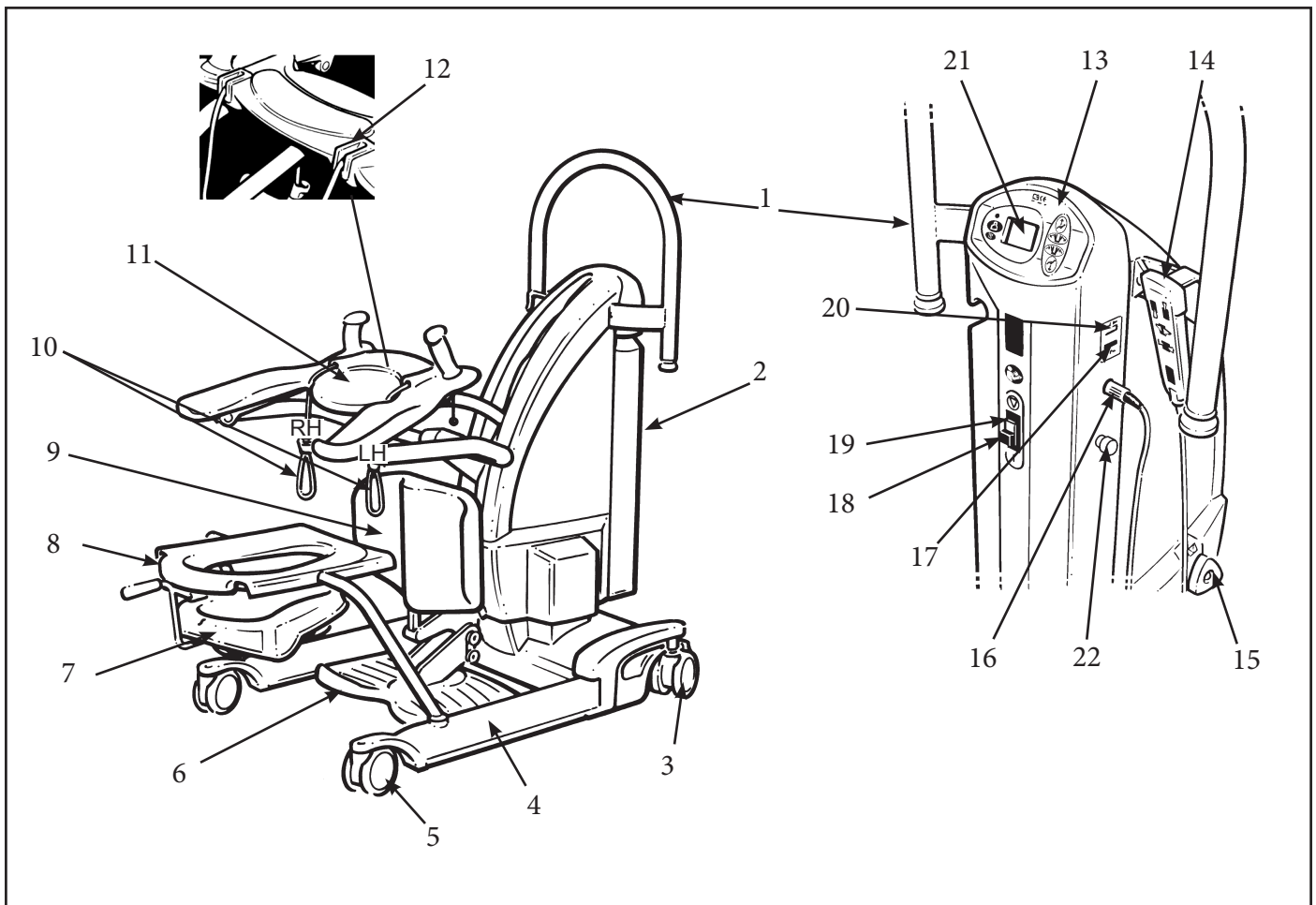


If necessary, push the red emergency stop button to stop electric movement



Warning: The Pro-Active knee pad can be removed to allow knee or walking exercise. Ensure that when the knee pad is removed, the adjoining support bracket is always removed before starting therapy. When refitting, ensure the pad is reinserted and covers the support bracket. Failure to do so could result in serious injury.

1. Fit the sling to the resident, ensuring correct size is used. Ensure the hook and loop strap is fastened securely and residents arms are outside the sling.
2. Position the SARA PLUS in front of the resident, open the chassis legs if necessary, assist in placing residents feet on the foot support with their knees touching the kneepad and apply castor brakes, allow resident to hold hand grips and rest their arms on the Arc-Rest™.
3. Adjust height of Arc-Rest to its lowest position and adjust kneepad if necessary.
4. Attach the sling to the cord attachments and pull cords to eliminate slack.
5. Using the handset or dual control, raise the resident to a standing position.
6. Release brakes, close-up legs and transport resident to chair, bed or toilet.
7. Position the resident in front of chair, bed or toilet with the back of their legs touching the chair etc. and lower to a sitting position.
8. Release tension on the cords and remove cords from the sling.
9. Remove the SARA PLUS, taking care to remove the residents feet from the foot support.
10. Remove the sling from around the resident.



- | | |
|--|--|
| 1. Manoeuvring handle | 12. Detail view of cord locking cleats |
| 2. Battery pack | 13. Dual control panel |
| 3. Brake castors (rear) | 14. Control handset |
| 4. Chassis legs | 15. System failure lower override knob |
| 5. Front castors (unbraked) | 16. Handset cable connection |
| 6. Foot support (removable) | 17. Battery discharge indicator |
| 7. Commode pan (optional) | 18. Power on / reset button (green) |
| 8. Commode seat and frame (optional) | 19. Power off button (red) |
| 9. Proactive Pad™ (Adjustable) | 20. Hour meter |
| 10. Sling attachment cords | 21. Scale display panel (if fitted) |
| 11. Arc-Rest™ (Supportive arm rests with hand grips) | 22. Emergency stop button |

® and ™ are trademarks belonging to the Arjo group of companies.

© Arjo 2019.

As our policy is one of continuous improvement, we reserve the right to modify designs without prior notice. The content of this publication may not be copied either whole or in part without the consent of Arjo.

